



# EclPendant FC

200W RGB+WarmWhite innovative  
pendant light



---

## USER MANUAL

---

## ***Thank you for choosing PROLIGHTS***

Please note that every PROLIGHTS product has been designed in Italy to meet quality and performance requirements for professionals and designed and manufactured for the use and application as shown in this document.

Any other use, if not expressly indicated, could compromise the good condition/operation of the product and/or be a source of danger.

This product is meant for professional use. Therefore, commercial use of this equipment is subject to the respectively applicable national accident prevention rules and regulations.

Features, specifications and appearance are subject to change without notice. Music & Lights S.r.l. and all affiliated companies disclaim liability for any injury, damage, direct or indirect loss, consequential or economic loss or any other loss occasioned by the use of, inability to use or reliance on the information contained in this document.

Product user manual can be downloaded from the website [www.prolights.it](http://www.prolights.it), or can be inquired to the official PROLIGHTS distributors of your territory ([https://www.prolights.it/sales\\_network.html](https://www.prolights.it/sales_network.html)).

Scanning the below **QR Code**, you will access the download area of the product page, where you can find a broad set of always updated technical documentation: specifications, user manual, technical drawings, photometrics, personalities, fixture firmware updates.



**Visit the download area  
of the product page**



The PROLIGHTS Logo, PROLIGHTS names and all other trademark in this document pertaining to PROLIGHTS services or PROLIGHTS product are trademarks OWNED or licensed by Music & Lights S.r.l., its affiliates, and subsidiaries. PROLIGHTS is a registered trademark by Music & Lights S.r.l. All right reserved. Music & Lights – Via A. Olivetti, snc - 04026 - Minturno (LT) ITALY.

# INDEX

<b>SAFETY INFORMATION</b>	<b>02</b>
<b>1 - PACKAGING</b>	<b>05</b>
PACKAGE CONTENT .....	05
OPTIONAL ACCESSORIES .....	05
<b>2 - TECHNICAL DRAWING</b>	<b>05</b>
<b>3 - INSTALLATION</b>	<b>06</b>
MOUNTING .....	06
<b>4 - PRODUCT OVERVIEW</b>	<b>07</b>
<b>5 - CONNECTION TO THE MAINS SUPPLY</b>	<b>08</b>
CONNECT AND DISCONNECT POWER FROM THE PRODUCT .....	08
CONNECTION TO MAINS POWER CABLE .....	08
CONNECTION TO MAINS VIA TERMINAL BLOCK .....	09
CONNECTION TO VDC VIA TERMINAL BLOCK .....	10
<b>6 - CONTROL LINE CONNECTION</b>	<b>11</b>
PROTOCOL SUPPORTED .....	11
CONNECTION OF THE CONTROL SIGNAL: DMX LINE .....	11
The product has XLR sockets for DMX input and output .....	11
INSTRUCTIONS FOR A RELIABLE DMX CONNECTION .....	11
CONNECTION DAISY CHAIN .....	11
CONNECTION OF THE DMX LINE .....	11
CONSTRUCTION OF THE DMX TERMINATION .....	12
DMX ADDRESSING .....	12
OPERATION AS A WIRELESS TRANSMITTER .....	12
IN TO WDMX .....	13
OPERATION AS A WIRELESS RECEIVER .....	13
WDMX TO DMX (RX) .....	13
CONNECTION TO DALI/DMX LINE TERMINATION .....	14
<b>7 - CONTROL PANEL</b>	<b>15</b>
DISPLAY AND BUTTONS LAYOUT .....	15
<b>8 - MENU STRUCTURE</b>	<b>16</b>
<b>9 - SHORTCUT</b>	<b>19</b>
<b>10 - RDM FUNCTIONS</b>	<b>20</b>
<b>11 - DMX CHARTS</b>	<b>22</b>
<b>12 - ACCESSORIES INSTALLATION</b>	<b>29</b>
HANGING BRACKET (CODE ECLPENDHGBRKBK/WH - OPTIONAL) .....	29
LENS (CODE ECLPENDLENS20/40/60 - OPTIONAL) .....	31
HALF / FULL SNOOT (CODE ECLPENDHSNOOTBK, ECLPENDFSNOOTBK/WH - OPTIONAL) .....	32
CONCENTRIC LOUVRE / HONEYCOMB LOUVRE (CODE ECLPENDCLOUVREBK / WH, ECLPENDHLOUVREBK / WH - OPTIONAL) .....	33
WALL MOUNTING BRACKET (CODE ECLPENDWALLBRKBK/WH - OPTIONAL) .....	34
CEILING RECESSED KIT (CODE ECLPENDRECSKITBK/WH - OPTIONAL) .....	36
CEILING-MOUNTED KIT SURFACE (CODE ECLPENDCEILKITBK/WH - OPTIONAL) ...	38
<b>13 - MAINTENANCE</b>	<b>40</b>
MAINTENANCE AND CLEANING THE PRODUCT .....	40
REPLACING THE FUSE .....	40
VISUAL CHECK OF PRODUCT HOUSING .....	40
TROUBLESHOOTING .....	41

# SAFETY INFORMATION



## WARNING!

- See <https://www.prolights.it/product/ECLPENDANTFC#download> for installation instructions.
- Please read carefully the instruction reported in this section before installing, powering, operating or servicing the product and observe the indications also for its future handling.



**This unit is not for household, only professional applications.**



## Connection to mains supply

- The Connection to the mains supply must be carried out by a qualified electrical installer.
- Use only AC supplies 100-240V 50-60 Hz, the fixture must be electrically connected to ground (earth).
- Select the cable cross section in according with the maximum current draw of the product and the possible number of products connected at the same power line.
- The AC mains power distribution circuit must be equipped with magnetic+residual current circuit breaker protection.
- Do not connect it to a dimmer system; doing so may damage the product.



## Protection and Warning against electrical shock

- Do not remove any cover from the product, always disconnect the product from AC power before servicing.
- Ensure that the fixture is electrically connected to ground (earth). And use only a source of AC power that complies with local building and electrical codes and has both overload and ground-fault (earth-fault) protection.
- Before using the fixture, check that all power distribution equipment and cables are in perfect condition and rated for the current requirements of all connected devices.
- Isolate the fixture from power immediately if the power plug or any seal, cover, cable, or other components are damaged, defective, deformed or showing signs of overheating.
- Do not reapply power until repairs have been completed.
- Refer any service operation not described in this manual to PROLIGHTS Service team or an authorized PROLIGHTS service center.



## Installation

- Make sure that all visible parts of the product are in good visible condition before its use or installation.
- Make sure the point of anchorage is stable before positioning the projector.
- When suspending the fixture above ground level, secure it against failure of primary attachments by attaching a safety cable that is approved as a safety attachment for the weight of the fixture to the attachment point on the main frame of the product. In case the safety cable, enter in action, it needs to be replaced with a new one.
- Install the product only in well ventilated places.
- For non temporary installations, ensure that the fixture is securely fastened to a load-bearing surface with suitable corrosionresistant hardware.
- For a temporary installation with clamps, ensure that the quarter-turn fastener and/or screws are turned fully, and secured with a suitable safety cable.



## Minimum distance of illuminated objects

- The projector needs to be positioned so that the objects hit by the beam of light are at least 0.5 meters (1.64 ft) from the lens of the projector.

**T<sub>a</sub> 45°C**

## Max operating ambient temperature (T<sub>a</sub>)

- Do not operate the fixture if the ambient temperature (T<sub>a</sub>) exceeds 45 °C (113 °F).

$T_a$  -10°C



### Minimum operating ambient temperature ( $T_a$ )

- Do not operate the fixture if the ambient temperature ( $T_a$ ) is below -10 °C (14 °F).

### Protection from burns and fire

- The exterior of the fixture becomes hot during use. Avoid contact by persons and materials.
- Ensure that there is free and unobstructed airflow around the fixture.
- Keep flammable materials well away from the fixture
- Do not expose the front glass to sunlight or any other strong light source from any angle. Lenses can focus the sun's rays inside the fixture, creating a potential fire hazard.
- Do not attempt to bypass thermostatic switches or fuses.



### Indoor use

- This product is designed for indoor and dry environments.
- Do not use in wet location and do not expose the fixture to rain or moisture.
- Never use the fixture in places subject to vibrations or bumps.
- Make certain that no inflammable liquids, water or metal objects enter the fixture.
- Excessive dust, smoke fluid, and particle build up degrades performance, causes overheating and will damage the fixture.
- Damages caused by inadequate cleaning or maintenance are not covered by the product warranty.

$T_c$  70°C

### Temperature of the external surface

- The surface of the fixture can reach up to 70 °C (158 °F) during operation. Avoid contact with people and materials.



### Maintenance

- Warning! Disconnect the fixture from AC mains power and allow to cool for at least 10 minutes before handling.
- Only technicians who are authorized by PROLIGHTS or Authorised service partners are permitted to open the fixture.
- Users may carry out external cleaning, following the warnings and instructions provided, but any service operation not described in this manual must be referred to a qualified service technician.
- Important! Excessive dust, smoke fluid, and particle build up degrades performance, causes overheating and will damage the fixture. Damages caused by inadequate cleaning or maintenance is not covered by the product warranty.



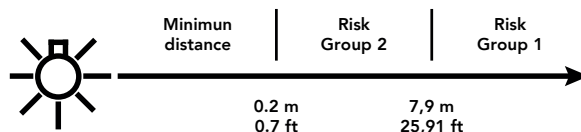
### Photobiological safety

- This device emits potentially dangerous optical radiation and is identified in the category of Risk Group 2 according to EN 62471.



### Do not stare at the operating light source

- Do not look directly at the LED source during operation. It can be harmful to the eyes and skin.
- During Installation, operation and maintenance, be prepared for the fixture to light and move suddenly when connected to power.
- The device should be positioned so that prolonged staring into the luminaire at a distance closer than 7,9 m (25,91 ft) is not expected.





#### Disposal

- This product is supplied in compliance with European Directive 2012/19/EU – Waste Electrical and Electronic Equipment (WEEE). To preserve the environment please dispose/ recycle this product at the end of its life according to the local regulation.



#### The products to which this manual refers comply with:

- 2014/35/EU - Safety of electrical equipment supplied at low voltage (LVD).
- 2014/30/EU - Electromagnetic Compatibility (EMC).
- 2011/65/EU - Restriction of the use of certain hazardous substances (RoHS).
- 2014/53/EU - Radio Equipment Directive (RED).



#### Other approvals



# 1 - PACKAGING

## PACKAGE CONTENT

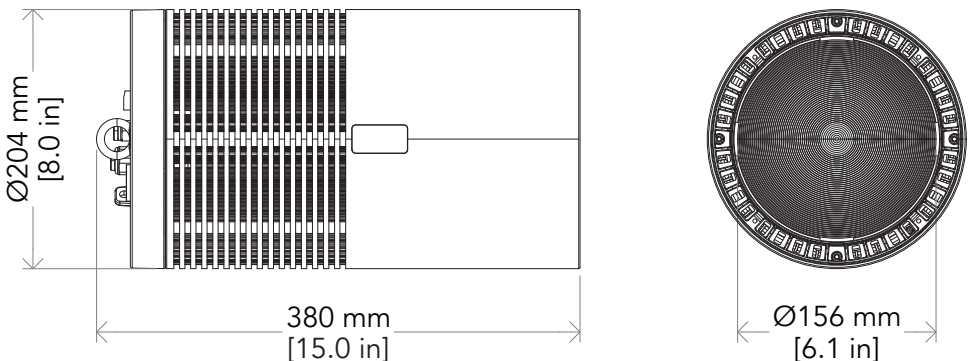
- 1x ECLPENDANTFC.
- 1x 1,5 meters power cable (BARE END - SEETRONIC IP65 power connector).
- User Manual.

NOTE: no hanging bracket ECLPENDHGBRKBK/WH on board to the fixture.

## OPTIONAL ACCESSORIES

- ECLPENDLENS60: ECLPENDANT series lens.
- ECLPENDLENS40: ECLPENDANT series lens.
- ECLPENDLENS20: ECLPENDANT series lens.
- ECLPENDHGBRKBK/WH: hanging bracket for ECLPENDANT series, black/white.
- ECLPENDRECSKITBK/WH: ceiling recessed kit for ECLPENDANT series, black/white.
- ECLPENDWALLBRKBKWall/WH: mounting bracket for ECLPENDANT and ECLPENDANTJR series, black/white.
- ECLPENDHSNOOTBK/WH: half snoot for ECLPENDANT series, black/white.
- ECLPENDFSNOOTBK/WH: full snoot for ECLPENDANT series, black/white.
- ECLPENDHLOUVREBK/WH: honeycomb louvre for ECLPENDANT series, black/white.
- ECLPENDCLOUVREBK/WH: concentric louvre for ECLPENDANT series, black/white.
- ECLPENDCEILKITBK/WH: ceiling-mounted kit for ECLPENDANT series, black/white.
- TOUR53415TOUR53415L03BK: dmx cable HC5340. CANC5MXX XLR 5p->CANC5FXX XLR (f) 5p
- C6002A/B: slim aluminium clamp, 200 kg loading, 48-51 mm tubes, M10 bolt, silver/black.
- RSR0630A/B: steel security cable for hanging bodies, inox steel shackle, silver/black.
- 9533FXW9533FXWL03: ass. 3x2.5mm TH07 cable, SHUKO plug, MENAC3FXW socket.
- 9513FXW9513FXWL03: ass. 3x2.5mm TH07 cable, 16A 3p 230V CEE plug, MENAC3FXW socket.
- 958225958225L03: 3x2.5mm TH07. Cable, 16A 3p PwCon MXW, 16A 3p PwCon FXW.
- UPBOX1UP5: firmware uploader kit, USB IN, 5p XLR DMX OUT, DMX OUT.

# 2 - TECHNICAL DRAWING



Weight: 7,5 kg - 16,53 lbs

Fig. 01

### 3 - INSTALLATION

#### MOUNTING

Check that the supporting structure can safely bear the weight of all installed fixtures, clamps, cables, auxiliary equipment, etc. and complies with locally applicable regulations.

When suspending the fixture above ground level, secure it against failure of primary attachments by attaching a safety wire that is approved as a safety attachment for the weight of the fixture to an anchor point on the product main frame.

Do not use removable parts or weak anchors for secondary attachment.

Warning! When clamping the fixture to a truss or other structure at any angle, use clamps of half-coupler type. Do not use any type of clamp that does not completely encircle the structure when fastened.



Fig. 02



## 4 - PRODUCT OVERVIEW

1. DALI/DMX signal.
2. EYEBOLT: for hanging pendant applications.
3. USER INTERFACE with display and buttons for access to the control panel functions.
4. POWER OUT: power output for connection of multiple units in series.
5. 48V DC input.
6. SAFETY EYE to attach safety cable.
7. POWER IN.
8. DMX OUT (5-p XLR): 1 = GND, 2 = sign-, 3 = sign+, 4 N/C, 5 N/C
9. DMX IN (5-p XLR): 1 = GND, 2 = sign-, 3 = sign+, 4 N/C, 5 N/C.
10. MAIN FUSE HOLDER: replace a burnt-out fuse by one of the same type only (250V, T3, 15A).
11. POWER IN: for connection to the Mains 100-240V~/50-60Hz.

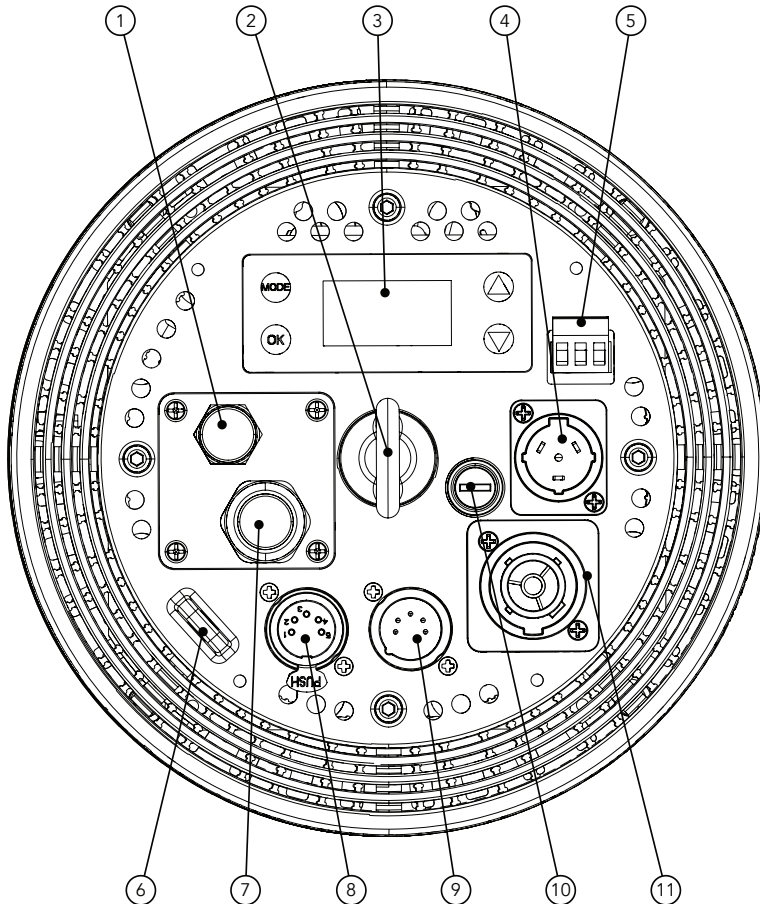


Fig. 03

## 5 - CONNECTION TO THE MAINS SUPPLY

**WARNING:** For protection from electric shock, the fixture must be earthed!

The product is equipped with auto-switching power supply that automatically adjusts to any 50-60Hz AC power source from 100-240 Volts. This fixture is also equipped with a DC Input rated 48V.

**ATTENTION! Do not connect 100-240 Vac and 48 Vdc at same time!**

### CONNECT AND DISCONNECT POWER FROM THE PRODUCT


To apply and disconnect power to the product:

- Check that the product is installed and secured as indicated in the Safety Informations, and that personal safety will not be put at risk when the fixture lights up.
- Connect the power using one of the method described below (Power Cable, Mains Terminal Block or VDC Terminal Block) - Do not connect multiple sources at same time.
- The product is then ready for its operations and can be controlled through the available input signals on board. Check paragraph for DMX or DALI connection. Do not connect DMX and DALI at same time.
- To disconnect power from the product, disconnect the Mains from the socket.

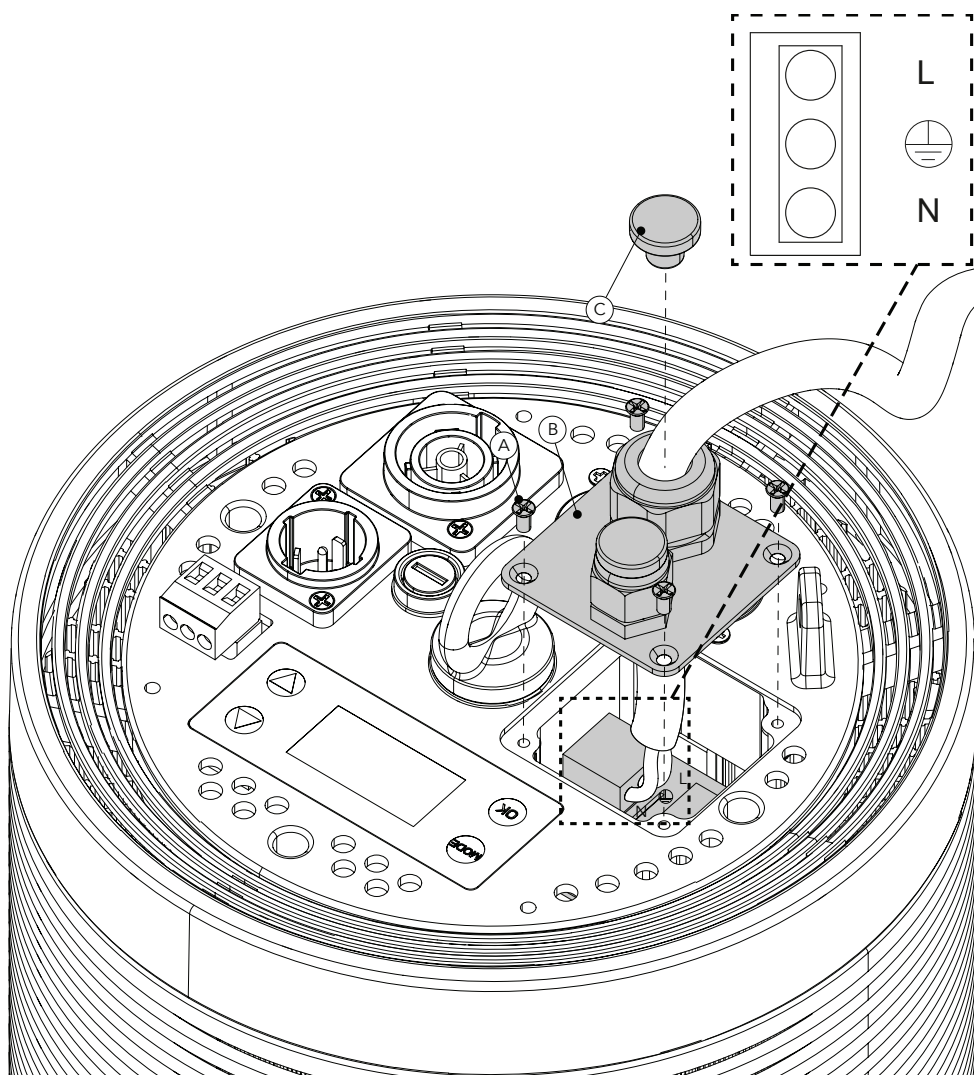
### CONNECTION TO MAINS POWER CABLE

If you need to install a power plug on the power cable to allow connection to power outlets, install a grounding-type (earthed) plug, following the plug manufacturer's instructions. If you have any doubts about proper installation, consult a qualified electrician.

The max power consumption is 200W.

Core (EU)	Core (US)	Connection	Plug terminal marking
Brown	Black	Live	L
Blue	White	Neutral	N
Yellow+green	Green	Earth	

## CONNECTION TO MAINS VIA TERMINAL BLOCK



Loosen the four screws (A) and remove the plate with the cable glands (B). Loosen and remove the cap (C). Then insert the cable.

Fig. 04

CONNECTION TO VDC VIA TERMINAL BLOCK

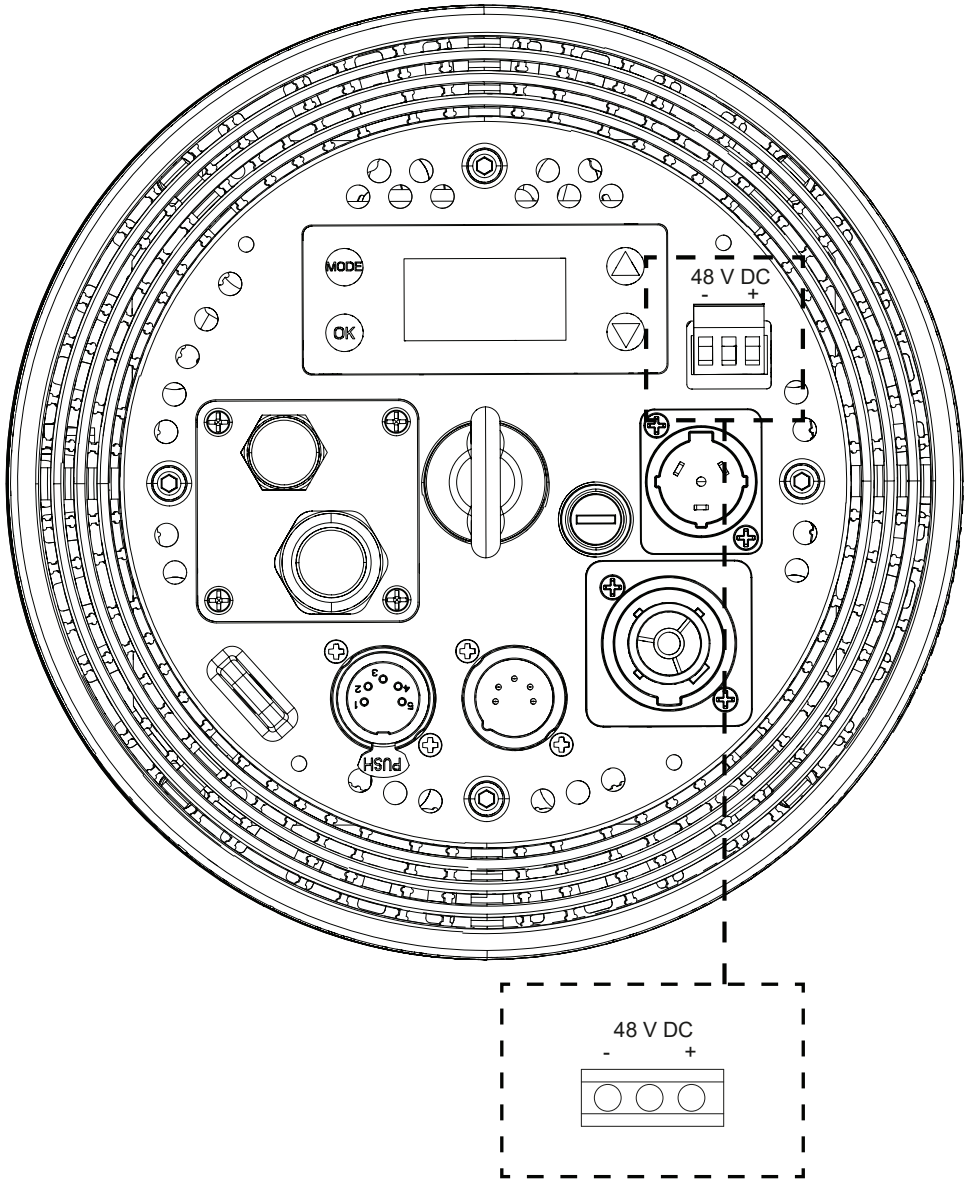


Fig. 05

# 6 - CONTROL LINE CONNECTION

## PROTOCOL SUPPORTED

This fixture supports protocols as indicated in the following table.

DMX	RDM	WDMX	CRMX	DALI
DMX 512	RDM over DMX	G4S	CRMX Classic	DT-8 (Tc mode)
	RDM over CRMX	G3		
	RDM over WDMX			

## CONNECTION OF THE CONTROL SIGNAL: DMX LINE

The product has XLR sockets for DMX input and output.  
The default pin-out on both socket is as the following diagram:

### DMX - INPUT XLR plug



Pin1 : GND - Shield  
Pin2 : - Signal  
Pin3 : + Signal  
Pin4 : N/C  
Pin5 : N/C

### DMX - OUTPUT XLR socket

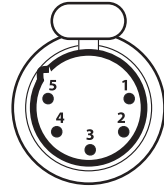


Fig. 06

## INSTRUCTIONS FOR A RELIABLE DMX CONNECTION

Use shielded twisted-pair cable designed for RS-485 devices: standard microphone cable cannot transmit control data reliably over long runs. 24 AWG cable is suitable for runs up to 300 meters (1000 ft). Heavier gauge cable and/or an amplifier is recommended for longer runs.  
To split the data link into branches, use splitter-amplifiers in the connection line.  
Do not overload the link. Up to 32 devices may be connected on a serial link.

## CONNECTION DAISY CHAIN

Connect the DMX data output from the DMX source to the product DMX input (male connector XLR) socket.  
Run the data link from the product XLR output (female connector XLR) socket to the DMX input of the next fixture.  
Terminate the data link by connecting a 120 Ohm signal termination. If a splitter is used, terminate each branch of the link.  
Install a DMX termination plug on the last fixture on the link.

## CONNECTION OF THE DMX LINE

DMX connection employs standard XLR connectors. Use shielded pair-twisted cables with 120Ω impedance and low capacity.

The following diagram shows the connection mode:

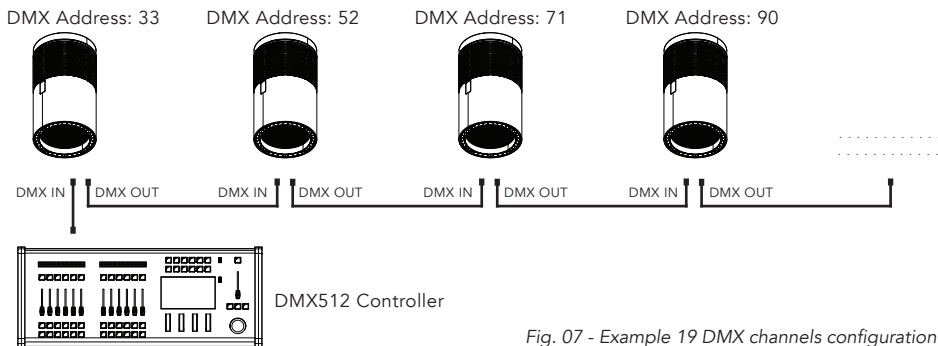
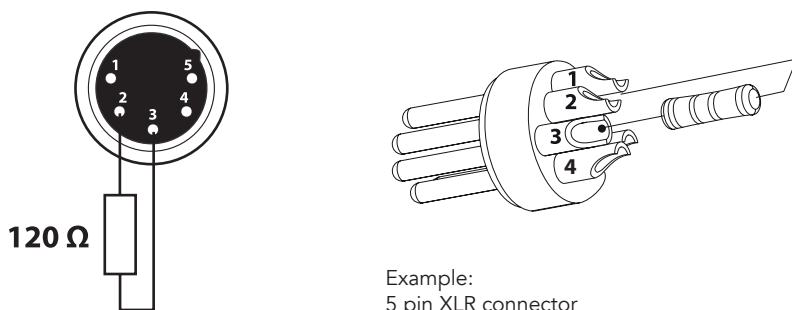


Fig. 07 - Example 19 DMX channels configuration

### CONSTRUCTION OF THE DMX TERMINATION

The termination is prepared by soldering a  $120\Omega$  1/4 W resistor between pins 2 and 3 of the male XLR connector, as shown in figure.



Example:  
5 pin XLR connector

Fig. 08

### DMX ADDRESSING

In order to start controlling the product via DMX, the first step is to select a DMX address, also known as the start channel, this is the first channel used to receive instructions from a DMX controller. If you wish to control the product individually, it is necessary to assign a different starting address channel to each fixture.

The number of channels occupied from the product depends on the DMX mode selected, so always verify the DMX Mode in the MENU before start addressing.

If you assign two fixtures the same address, they will be executing the same behaviour. Selecting the same address to multiple fixtures can be useful for diagnostic purposes and symmetrical control.

DMX addressing is limited to make it impossible to set the DMX address so high that you are left without enough control channels for the product.

To set the fixture's DMX address:

1. Press ENTER to open the main menu.
2. Reach the addressing menu, then select the DMX ADDRESS settings.
3. Select the address from 1 to 512 using the navigation arrows/buttons and confirm by pressing ENTER.
4. Press Menu to exit and return to the Home screen.

### OPERATION AS A WIRELESS TRANSMITTER

ECLPENDANTFC can be used as wireless transmitter to transmit DMX signal to different wireless receivers. To use ECLPENDANTFC as wireless transmitter, please follow the procedure below:

1. Push ENTER button until you show CONNECT on display, then press ENTER button to confirm.

2. Use UP/DOWN buttons for select WIRELESS, then press ENTER to confirm.
3. Push ENTER button on WDMX ON/OFF function and enable it to ON.
4. Select WDMX mode and set it on Transmitter (please note that WDMX mode will be available only if WDMX ON/OFF is set to ON).
5. Ensure that the receiver units are not connected to any other transmitter. Please refer to "Reset the receiver" paragraph.
6. Enable TX LINK to ON to link transmitter to receivers (please note that TX LINK will be available only if WDMX mode is set to Transmitter).
  - The transmitter scans for all unlinked receivers for a period of about 5 seconds.
  - If the connection fails, check the position of the receiver.
  - The wireless icon on the receiver display indicates the received signal strength.

### **Unlinking the transmitter**

Follow the procedure below to unlink the transmitter from all receivers connected with the unit.

1. Push ENTER button until you show CONNECT on display, then press ENTER button to confirm.
2. Use UP/DOWN buttons for select Wireless, then press ENTER to confirm.
3. Enable TX UNLINK to ON 8 (please note that TX UNLINK will be available only if WDMX mode is set to Transmitter).
  - All connected receivers will be unlinked.

### **IN TO WDMX**

This function enable or disable the transmission through wireless of the DMX signal from the transmitter side to the receiver.

### **OPERATION AS A WIRELESS RECEIVER**

ECLPENDANTFC can be used as wireless receiver connected to a wireless transmitter.

To use ECLPENDANTFC as wireless receiver, please follow the procedure below:

1. Push ENTER button until you show CONNECT on display, then press ENTER button to confirm.
2. Use UP/DOWN buttons for select Wireless, then press ENTER to confirm.
3. Push ENTER button on WDMX ON/OFF function and enable it to ON.
4. Select WDMX mode and set it on Receiver (please note that WDMX mode will be available only if WDMX ON/OFF is set to ON).
5. Enable RX RESET to ON to reset the receiver (please note that RX RESET will be available only if WDMX mode is set to Receiver).
6. On the transmitter, enable TX LINK to ON to link transmitter to the receivers.
7. If the connection is successful and DMX input is available the display the display on the receiver unit will shows the DMX address. If DMX signal is not available, the display will shows "No signal" but keeps the transmitter linked.
8. If the connection fails, check the position of the receiver.
9. The wireless icon on the receiver display indicates the received signal strength.

### **Reset the receiver**

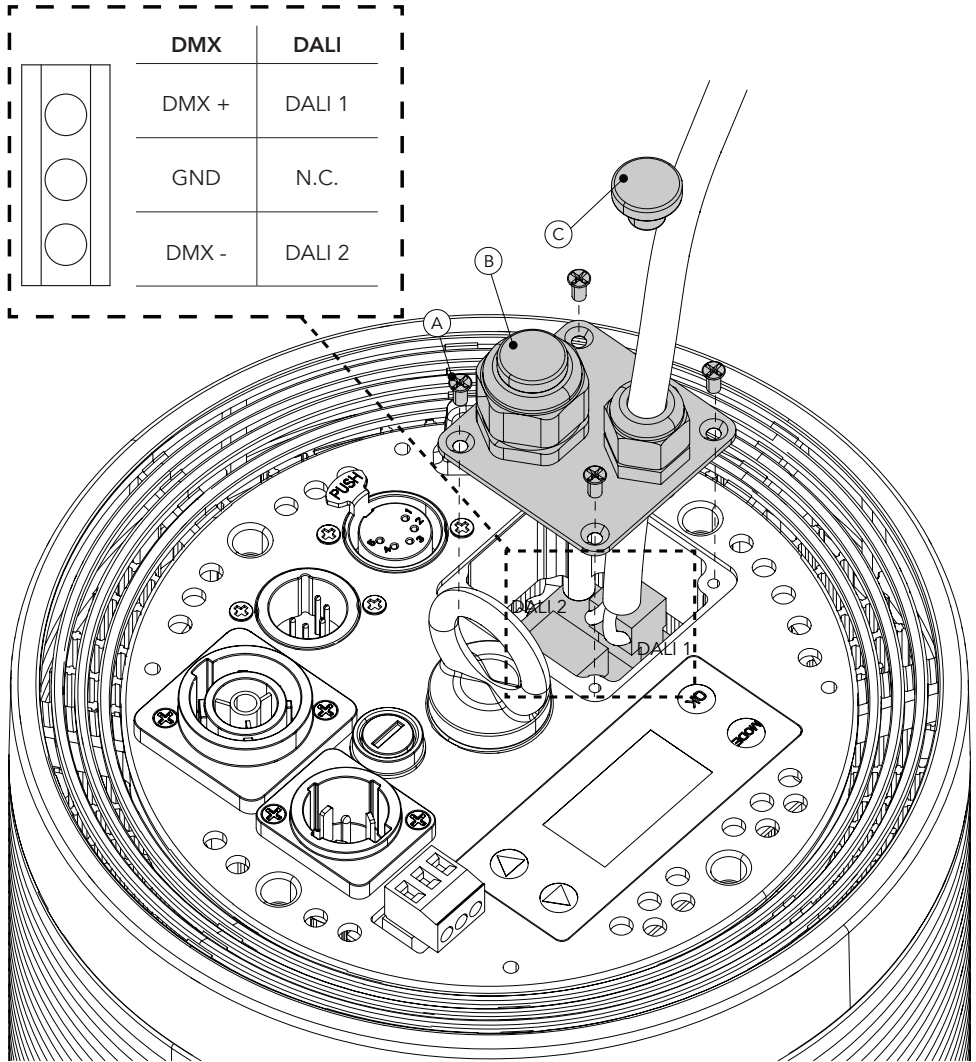
Follow the procedure below to reset the receiver.

1. Push MENU button until you show CONNECT on display, then press ENTER button to confirm.
2. Use UP/DOWN buttons for select Wireless, then press ENTER to confirm.
3. Enable RX RESET to ON.
  - The wireless icon on the receiver display indicates the received signal strength.

### **WDMX TO DMX (RX)**

This function enable or disable the retransmission of the wireless DMX signal received through the DMX port on the receiver side.

## CONNECTION TO DALI/DMX LINE TERMINATION



Loosen the four screws (A) and remove the plate with the cable glands (B). Loosen and remove the cap (C). Then insert the cable.

Fig. 09



## 7 - CONTROL PANEL

The product has a display and buttons for access to the control panel functions.

---

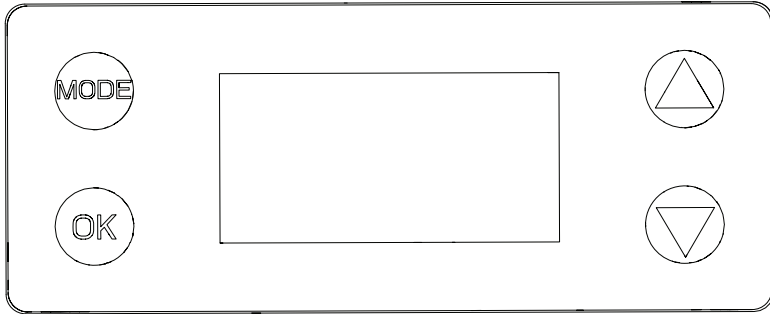






Fig. 10

---

### DISPLAY AND BUTTONS LAYOUT

The product has a display and buttons for access to the control panel functions:

	Used to access the menu tree or to return a previous menu window.
	Browse upwards through the menu list and increases the numeric value displayed.
	Browse downwards through the menu list and decreases the numeric value displayed.
	Used to confirm the current menu or confirm the current function value or option within a menu.

# 8 - MENU STRUCTURE

The following chart describes the MENU tree of the product, the terms shown in **BOLD>** indicates the default settings.

CONNECT	DMX ADDRESS	<b>1-512</b>			<i>Set address used for Fixture.</i>	
	DMX MODE	<b>UNO</b>	COLOR TEMPERATURE	2700K		<i>Set DMX chart for Main Fixture.</i>
				2800K		
				3200K		
				3500K		
				4000K		
				4500K		
				5000K		
				5600K		
				6000K		
				6500K		
				...		
				10000K		
		COLOR MACRO		<a href="#">SEE TABLE OF COLOR MACRO</a>		
		MANUAL COLORS	RED	<000-255>		
			GREEN	<000-255>		
			BLUE	<000-255>		
			WARM WHITE	<000-255>		
		<b>DUO</b>	COLOR TEMPERATURE	2700K		
				2800K		
				3200K		
				3500K		
				4000K		
				4500K		
				5000K		
				5600K		
				6000K		
				6500K		
	...					
	10000K					
	COLOR MACRO		<a href="#">SEE TABLE OF COLOR MACRO</a>			
	MANUAL COLORS	RED	<000-255>			
		GREEN	<000-255>			
BLUE		<000-255>				
WARM WHITE		<000-255>				
BASIC						
STANDARD						
EXTENDED						
ADVANCED						
WIRELESS	<b>WDMX ON/OFF</b>	ON		<i>Enable/Disable the wireless card.</i>		
		OFF				

		WDMX MODE	TRANSMITTER		Allows to choose whether to set the wireless on the Transmitter or Receiver. WDMX mode is unlocked only if WDMX ON / OFF is ON.
			RECEIVER		
		TX LINK	ON		TX link unlock Nwhen the unit is set as a transmitter
			OFF		
		TX UNLINK	ON		Disconnect the transmitter from all receivers. TX unlink unlocks only if WDMX mode is on transmitter
			OFF		
		RX RESET	ON		Total reset of the receiver. RX reset unlocks only if WDMX mode is receiver.
			OFF		
		IN TO WDMX (TX)	ON		Enable/Disable the transmission of the dmx from the transmitter to the receiver via wdmx.
			OFF		
		WDMX TO DMX (RX)	ON		Enable/Disable the retransmission of the DMX from the receiver to the other units connected by cable to the receiver itself.
			OFF		
SETUP	SCREEN	BACKLIGHT	ON		Allows you to select the timing after that display will switch automatically off when unactive.
			10s		
			20s		
			30s		
		FLIP DISPLAY	ON		Allows you to rotate the display by 180°.
			OFF		
	KEY LOCK	ON		Allows you lock the buttons on the control panel by a password. Press following combinations (password) in order to access to the user menu: UP, DOWN, UP, DOWN, ENTER.	
		OFF			
	TEMPERATURE UNIT	°C		Allows you to choose Temperature unit showed in home screen.	
		°F			
	TRANSFER CONFIGURATION	WITHOUT DMX ADDRESS		To transfer the same menu settings of one fixtures to all the other in the daisy chain, including or not the dmx address. Transfer configuration also works via WDMX.	
		WITH DMX ADDRESS			
	FULL ON MODE	HB		HB - High Brightness Mode, delivering the full output on every primary color. Studio – Calibrated white output at 6000K, when all primary colors are set to full.	
		STUDIO			
DIMMER CURVE	LINEAR		Select Dimmer curve.		
	S-CURVE				
	<b>SQUARE LAW</b>				
	INVERSE SQUARE LAW				
DIMMER SPEED	<b>AUTO</b>		Select Dimmer speed.		
	FAST				
	MEDIUM				
	SLOW				

	WHITE CALIBRATION	OFF STUDIO	RED	<125-255>	Manufacturer calibration to grant performance and color consistency.
			GREEN	<125-255>	
			BLUE	<125-255>	
			WARM WHITE	<125-255>	
		MANUAL	RED	<0-255>	
			GREEN	<0-255>	
			BLUE	<0-255>	
			WARM WHITE	<0-255>	
		CALIBRATED			
	LED FREQUENCY	600HZ		Select LED PWM frequency.	
		<b>1200HZ</b>			
		2000HZ			
		4000HZ			
		6000HZ			
		25KHZ			
		36KHZ			
		40KHZ			
	DMX FAULT	HOLD		Define the behaviour of fixture in case of DMX signal lost.	
		BLACKOUT			
		<b>STAND ALONE</b>			
		EMERGENCY			
	TUNGSTEN EMULATION	ON		Enable/Disable Tungsten emulation.	
		<b>OFF</b>			
OUTPUT CONTROL	CONSTANT		See table at the end of the Menu for Power behaviour.		
	<b>DYNAMIC</b>				
FACTORY RELOAD	ON		Reload fixture with Standard settings.		
	<b>OFF</b>				
INFORMATION	DEVICE TIME	FIXTURE HOURS	<99999H>	To check the total working hours of the unit.	
		CURRENT HOURS	<99999H>	To check the current working hours of the unit.	
		SOURCE HOURS	<99999H>	To see the total operating hours of the LED source.	
		AC POWER ON CYCLE	<300>	To see the power cycle of the machine.	
		MAINTENANCE TIME	ELAPSED TIME		To choose and reset unit maintenance warning hours.
		ALERT PERIOD	10 - 300		
	POWER CONSUMPTION			Show actual power consumption.	
	TEMPERATURE	NEAR SOURCE TEMP, DRIVER PCB TEMP, LED PCB TEMP,...		To see the unit temperature.	
	WIRELESS QUALITY			To check the wireless quality.	
	CHANNEL VALUE			To see the dmx value of those channels.	
	ERROR MESSAGE			To see any error messages.	
	FIXTURE MODEL			View informations about fixture model.	
	DEVICE LABEL			Show RDM Device label.	
	CALIBRATION	LED		Show calibration active.	
SOFTWARE VERSION	<V1.0>		View informations about software version.		
RDM UID	15D00228****		View ID for the RDM control.		
STAND ALONE	MASTER / SLAVE	MASTER DMX		Allow you to link and operating in synk multiple units without a DMX console. Choose a unit to perform as the Master. This unit must be the first unit in line; Set the successive units to be slave.	
		MASTER NO DMX			
		<b>SLAVE</b>			

EFFECTS	<b>EFFECT 1</b>	<1-100>			Effects modes allows creation and editing of 5 effects maximum. Each effect contains up to 20 colors, a Main Dimmer and a Main Strobe.
	...	<1-100>			
	EFFECT 5	<1-100>			
STATIC	FIXED COLORS	R	DIMMER		Select of the following predefined color combination and its Dimmer value. After enabled this mode, the unit will be automatically assigned as Master.
		G	<000-255>		
		B			
		W			
		RG			
		RB			
		RW			
		GB			
		GW			
		BW			
		RGB			
		RGW			
		RBW			
	GBW				
	<b>RGBW</b>				
	COLOR MACRO	<a href="#">SEE TABLE OF COLOR MACRO</a>			
	WHITE PRESETS	2700K	DIMMER		
		<b>3200K</b>	<000-255>		
		3500K	TINT		
		4000K	<-025		
4500K		025>			
5000K					
5600K					
6000K					
6500K					
...					
1000K					
MANUAL COLORS	RED	<000- <b>255</b> >		User generated color preset by assigning values to each primary color attribute. After enabled this mode, the unit will be automatically assigned as Master.	
	GREEN	<000- <b>255</b> >			
	BLUE	<000- <b>255</b> >			
	WARM WHITE	<000- <b>255</b> >			

## 9 - SHORTCUT

SHORTCUTS		
Keys	Mode	Description
MENU + ENTER then power on	Clear All	Clear all value of functions + factory default
UP + DOWN after power on	Flip Display	Directly flip display without enter inside menu
DOWN + ENTER	Internal menu	The menu "Internal" with special displays and editors for service can be used

# 10 - RDM FUNCTIONS

The product can communicate using RDM (Remote Device Management) protocol over a DMX512 Networks.

RDM is a bi-directional communications protocol for use in DMX512 control systems, it is the open standard for DMX512 device configuration and status monitoring.

The RDM protocol allows data packets to be inserted into a DMX512 data stream without affecting existing non-RDM equipment. It allows a console or dedicated RDM controller to send commands to and receive messages from specific fixtures.

The PIDs in the following tables are supported in the product.

RDM is also available on Wireless and Tiny's Downstead must be enabled in its custom PIDs to work.

RDM PIDs						
Parameter	Category	PID Address	GET	SET	Value	Default Value
DEVICE_INFO	Product Information	0x0060	x		---	
PRODUCT_DETAIL_ID_LIST	Product Information	0x0070	x		---	
DEVICE_MODEL_DESCRIPTION	Product Information	0x0080	x		---	
MANUFACTURER_LABEL	Product Information	0x0081	x		---	
DEVICE_LABEL	Product Information	0x0082	x	x	---	
FACTORY_DEFAULTS	Product Information	0x0090	x	x	---	
SOFTWARE_VERSION_LABEL	Product Information	0x00C0	x		---	
BOOT_SOFTWARE_VERSION_ID	Product Information	0x00C1	x		---	
BOOT_SOFTWARE_VERSION_LABEL	Product Information	0x00C2	x		---	
DMX_PERSONALITY	DMX512 Setup	0x00E0	x	x	---	
DMX_PERSONALITY_DESCRIPTION	DMX512 Setup	0x00E1	x		---	
DMX_START_ADDRESS	DMX512 Setup	0x00F0	x	x	---	
SLOT_INFO	DMX512 Setup	0x0120	x		---	
SLOT_DESCRIPTION	DMX512 Setup	0x0121	x		---	
DEFAULT_SLOT_VALUE	DMX512 Setup	0x0122	x		---	
DMX_BLOCK_ADDRESS	DMX512 Setup	0x0140	x	x	---	
DMX_FAIL_MODE	DMX512 Setup	0x0141	x	x	---	
DMX_STARTUP_MODE	DMX512 Setup	0x0142	x	x	---	
DIMMER_INFO	Dimmer Settings	0x0340	x		---	
MINIMUM_LEVEL	Dimmer Settings	0x0341	x	x	---	
MAXIMUM_LEVEL	Dimmer Settings	0x0342	x	x	---	
CURVE	Dimmer Settings	0x0343	x	x	---	
CURVE_DESCRIPTION	Dimmer Settings	0x0344	x	x	---	
OUTPUT_RESPONSE_TIME	Dimmer Settings	0x0345	x	x	---	
OUTPUT_RESPONSE_TIME_DESCRIPTION	Dimmer Settings	0x0346	x		---	
MODULATION_FREQUENCY	Dimmer Settings	0x0347	x	x	---	
MODULATION_FREQUENCY_DESCRIPTION	Dimmer Settings	0x0348	x		---	
SENSOR_DEFINITION	Sensors	0x0200	x		---	
SENSOR_VALUE	Sensors	0x0201	x	x	---	
RECORD_SENSORS	Sensors	0x0202		x	---	
BURN_IN	Sensors	0x0440	x	x	---	
DEVICE_HOURS	Power/Lamp Settings	0x0400	x	x	---	
LAMP_HOURS	Power/Lamp Settings	0x0401	x	x	---	
LAMP_STRIKES	Power/Lamp Settings	0x0402	x	x	---	

LAMP_STATE	Power/Lamp Settings	0x0403	x	x	---	
LAMP_ON_MODE	Power/Lamp Settings	0x0404	x	x	---	
DEVICE_POWER_CYCLES	Power/Lamp Settings	0x0405	x	x	---	
DISPLAY_INVERT	Display Settings	0x0500	x	x	---	
DISPLAY_LEVEL	Display Settings	0x0501	x	x	---	
LOCK_PIN	Configuration	0x0640	x	x	---	
LOCK_STATE	Configuration	0x0641	x	x	---	
LOCK_STATE_DESCRIPTION	Configuration	0x0642	x		---	
IDENTIFY_DEVICE	Control	0x1000	x	x	---	
RESET_DEVICE	Control	0x1001		x	---	
POWER_STATE	Control	0x1010	x	x	---	
PERFORM_SELFTEST	Control	0x1020	x	x	---	
SELF_TEST_DESCRIPTION	Control	0x1021	x		---	
CAPTURE_PRESET	Control	0x1030	x	x	---	
PRESET_PLAYBACK	Control	0x1031	x	x	---	
IDENTIFY_MODE	Control	0x1040	x	x	---	
PRESET_INFO	Control	0x1041	x		---	
PRESET_STATUS	Control	0x1042	x	x	---	
POWER_ON_SELF_TEST	Control	0x1044	x	x	---	
DMX FAULT	Manufacturer PIDs	0x82DD	x	x	0-3	DEFAULT :2
MASTER/SLAVE	Manufacturer PIDs	0x8211	x	x	0-2	DEFAULT :2
ST. AL. MODE	Manufacturer PIDs	0x82EC	x	x	0-4	DEFAULT :2
EFFECTS	Manufacturer PIDs	0x82BE	x	x	1-5	DEFAULT :5
EFFECTS SPEED	Manufacturer PIDs	0x82BF	x	x	1-100	DEFAULT :100
STATIC COLORS	Manufacturer PIDs	0x82ED	x	x	0-14	DEFAULT :14
WHITE PRESETS	Manufacturer PIDs	0x8217	x	x	0-16	DEFAULT :2
COLOR MACROS	Manufacturer PIDs	0x82C0	x	x	0-66	DEFAULT :0
MANUAL RED	Manufacturer PIDs	0x82C1	x	x	0-255	DEFAULT :255
MANUAL GREEN	Manufacturer PIDs	0x82C2	x	x	0-255	DEFAULT :255
MANUAL BLUE	Manufacturer PIDs	0x82C3	x	x	0-255	DEFAULT :255
MANUAL WHITE	Manufacturer PIDs	0x8209	x	x	0-255	DEFAULT :255
FULL ON	Manufacturer PIDs	0x8210	x	x	0-1	DEFAULT :1
STUDIO-RED	Manufacturer PIDs	0x821A	x	x	125-255	DEFAULT :255
STUDIO-GREEN	Manufacturer PIDs	0x82C9	x	x	125-255	DEFAULT :255
STUDIO-BLUE	Manufacturer PIDs	0x82CA	x	x	125-255	DEFAULT :255
STUDIO-WHITE	Manufacturer PIDs	0x82CB	x	x	125-255	DEFAULT :255
WHITE CALIBRATION-RED	Manufacturer PIDs	0x82CC	x	x	125-255	DEFAULT :255
WHITE CALIBRATION-GREEN	Manufacturer PIDs	0x82C0	x	x	125-255	DEFAULT :255
WHITE CALIBRATION-BLUE	Manufacturer PIDs	0x82C1	x	x	125-255	DEFAULT :255
WHITE CALIBRATION-WHITE	Manufacturer PIDs	0x82C2	x	x	125-255	DEFAULT :255
OUTPUT CONTROL	Manufacturer PIDs	0x82C3	x	x	0-1	DEFAULT :1
TUNGSTEN EMULATION	Manufacturer PIDs	0x82DE	x	x		
CURRENT HOURS	Manufacturer PIDs	0x82C8	x	x		DEFAULT:0
POWER CONSUMPTION(AC 220V)	Manufacturer PIDs	0x82C5	x			
MAINTENANCE TIME:ALERT PERIOD	Manufacturer PIDs	0x82DF	x	x	10-300	DEFAULT :300
MAINTENANCE TIME:ELAPSED TIME	Manufacturer PIDs	0x82E0	x	x	0-ALERT PERIOD	DEFAULT :0
ERROR MESSAGES	Manufacturer PIDs	0x82EB	x		0-2	DEFAULT :0
CLEAN ALL DATA	Manufacturer PIDs	0x82C8	x	x	0-1	DEFAULT :0

# 11 - DMX CHARTS

RDM Model ID: 0xD099

RDM Personality ID List

ID	DMX Mode	Footprint
1	UNO	1CH
2	DUO	2CH
3	BASIC	5CH
4	STANDARD	9CH
5	EXTENDED	12CH
6	ADVANCED	19CH

PARAMETER	MODE					
	UNO	DUO	BASIC	STANDARD	EXTENDED	ADVANCED
DIMMER	1	1	1	1	1	1
DIMMER FINE		2		2	2	2
CCT					3	3
CCT FINE						4
TINT					4	5
CROSSFADE					5	6
RED			2	3	6	7
RED FINE						8
GREEN			3	4	7	9
GREEN FINE						10
BLUE			4	5	8	11
BLUE FINE						12
WHITE			5	6	9	13
WHITE FINE						14
COLOR MACRO				7	10	15
EFFECT						16
EFFECT SPEED						17
STROBE				8	11	18
CONTROL				9	12	19



**Dimmer**

Function	8 bit value		16 bit value		Note
	From	To	From	To	
Dimmer	0	255	0	65535	Default @ 0

**Strobe**

Function	8 bit value		16 bit value		Note
	From	To	From	To	
Open	0	1	-	-	Default @ 255
Strobe from Slow to Fast	2	62	-	-	
Open	63	64	-	-	
Pulse In from slow to fast	65	125	-	-	
Open	126	127	-	-	
Pulse Out from slow to fast	128	188	-	-	
Open	189	190	-	-	
Random from slow to fast	191	251	-	-	
Open	252	255	-	-	

**CCT**

Function		8 bit value		16 bit value		Note
CCT From	CCT To	From	To	From	To	
2800	2900	0	4	0	910	Default @ 0
2900	3000	4	7	910	1820	
3000	3100	7	11	1820	2731	
3100	3200	11	14	2731	3641	
3200	3300	14	18	3641	4551	
3300	3400	18	21	4551	5461	
3400	3500	21	25	5461	6371	
3500	3600	25	28	6371	7282	
3600	3700	28	32	7282	8192	
3700	3800	32	35	8192	9102	
3800	3900	35	39	9102	10012	
3900	4000	39	43	10012	10923	
4000	4100	43	46	10923	11833	
4100	4200	46	50	11833	12743	
4200	4300	50	53	12743	13653	
4300	4400	53	57	13653	14563	
4400	4500	57	60	14563	15474	
4500	4600	60	64	15474	16384	
4600	4700	64	67	16384	17294	
4700	4800	67	71	17294	18204	
4800	4900	71	74	18204	19114	
4900	5000	74	78	19114	20025	
5000	5100	78	81	20025	20935	
5100	5200	81	85	20935	21845	
5200	5300	85	89	21845	22755	
5300	5400	89	92	22755	23665	
5400	5500	92	96	23665	24576	
5500	5600	96	99	24576	25486	
5600	5700	99	103	25486	26396	
5700	5800	103	106	26396	27306	

**CCT**

Function		8 bit value		16 bit value		Note
CCT From	CCT To	From	To	From	To	
5800	5900	106	110	27306	28216	
5900	6000	110	113	28216	29127	
6000	6100	113	117	29127	30037	
6100	6200	117	120	30037	30947	
6200	6300	120	124	30947	31857	
6300	6400	124	128	31857	32768	
6400	6500	128	131	32768	33678	
6500	6600	131	135	33678	34588	
6600	6700	135	138	34588	35498	
6700	6800	138	142	35498	36408	
6800	6900	142	145	36408	37319	
6900	7000	145	149	37319	38229	
7000	7100	149	152	38229	39139	
7100	7200	152	156	39139	40049	
7200	7300	156	159	40049	40959	
7300	7400	159	163	40959	41870	
7400	7500	163	166	41870	42780	
7500	7600	166	170	42780	43690	
7600	7700	170	174	43690	44600	
7700	7800	174	177	44600	45510	
7800	7900	177	181	45510	46421	
7900	8000	181	184	46421	47331	
8000	8100	184	188	47331	48241	
8100	8200	188	191	48241	49151	
8200	8300	191	195	49151	50061	
8300	8400	195	198	50061	50972	
8400	8500	198	202	50972	51882	
8500	8600	202	205	51882	52792	
8600	8700	205	209	52792	53702	
8700	8800	209	213	53702	54613	
8800	8900	213	216	54613	55523	
8900	9000	216	220	55523	56433	
9000	9100	220	223	56433	57343	
9100	9200	223	227	57343	58253	
9200	9300	227	230	58253	59164	
9300	9400	230	234	59164	60074	
9400	9500	234	237	60074	60984	
9500	9600	237	241	60984	61894	
9600	9700	241	244	61894	62804	
9700	9800	244	248	62804	63715	
9800	9900	248	251	63715	64625	
9900	10000	251	255	64625	65535	

**Tint**

Function	8 bit value		16 bit value		Note
	From	To	From	To	
-25% to 0	0	127	-	-	Default @ 128 Linear tint correction from -0.25 to +0.25
Neutral	128	128	-	-	
0 to 25%	129	255	-	-	

**Crossfade from CCT to Color**

Function	8 bit value		16 bit value		Note
	From	To	From	To	
Linear Crossfade	0	255	0	65535	Default @ 255 / 65535

**Red**

Function	8 bit value		16 bit value		Note
	From	To	From	To	
0 - 100%	0	255	0	65535	Default @ 255 / 65535

**Green**

Function	8 bit value		16 bit value		Note
	From	To	From	To	
0 - 100%	0	255	0	65535	Default @ 255 / 65535

**Blue**

Function	8 bit value		16 bit value		Note
	From	To	From	To	
0 - 100%	0	255	0	65535	Default @ 255 / 65535

**White**

Function	8 bit value		16 bit value		Note
	From	To	From	To	
0 - 100%	0	255	0	65535	Default @ 255 / 65535

**Color Macro**

Function	8 bit value		16 bit value		Note
	From	To	From	To	
No Function	0	1	-	-	Default @ 0
Red	2	3	-	-	
Green	4	5	-	-	
Blue	6	7	-	-	
Cyan	8	9	-	-	
Magenta	10	11	-	-	
Yellow	12	13	-	-	
Dirty White	14	15	-	-	
Alice Blue	16	17	-	-	
Congo Blue	18	19	-	-	
Dark Steel Blue	20	21	-	-	
Deep Lavender	22	23	-	-	
Lilac Ting	24	25	-	-	
Daylight Blue	26	27	-	-	
Flame Red	28	29	-	-	
Bastard Amber	30	31	-	-	
Deep Orange	32	33	-	-	
Pale Gold	34	35	-	-	
Apricot	36	37	-	-	
Bright Blue	38	39	-	-	
Primary Green	40	41	-	-	
Special Lavender	42	43	-	-	
Pale Lavender	44	45	-	-	
Deep Golden Amber	46	47	-	-	
Medium Blue	48	49	-	-	
Bright Pink	50	51	-	-	
Mauve	52	53	-	-	
Dark Green	54	55	-	-	
Lee Green	56	57	-	-	
Dark Blue	58	59	-	-	
Light Blue	60	61	-	-	
Steel Blue	62	63	-	-	
Medium Blue-Green	64	65	-	-	
Peacock Blue	66	67	-	-	
Magenta	68	69	-	-	
Dark Pink	70	71	-	-	
Middle Rose	72	73	-	-	
Light Salmon	74	75	-	-	
English Rose	76	77	-	-	
Light Rose	78	79	-	-	
Orange	80	81	-	-	
Deep Amber	82	83	-	-	
Straw	84	85	-	-	
Light Amber	86	87	-	-	
Spring Yellow	88	89	-	-	
Dark Yellow Green	90	91	-	-	
Just Blue	92	93	-	-	
Sky Blue	94	95	-	-	
Lavender	96	97	-	-	
Light Lavender	98	99	-	-	
Pink Carnation	100	101	-	-	

**Color Macro**

Function	8 bit value		16 bit value		Note
	From	To	From	To	
Medium Pink	102	103	-	-	
Light Pink	104	105	-	-	
Sunset Red	106	107	-	-	
Dark Amber	108	109	-	-	
Gold Amber	110	111	-	-	
Medium Amber	112	113	-	-	
Fire	114	115	-	-	
Surprise Peach	116	117	-	-	
Straw Tint	118	119	-	-	
Medium Yellow	120	121	-	-	
Lee Minus Green	122	123	-	-	
Pale Gold	124	125	-	-	
Orange	126	127	-	-	
Deep Straw	128	129	-	-	
Rose Purple	130	131	-	-	
Deep Purple	132	133	-	-	
Soft Green	134	135	-	-	
Reserved for future use	136	209	-	-	
2700K	210	211	-	-	
2800K	212	213	-	-	
3000K	214	215	-	-	
3200K	216	217	-	-	
3400K	218	219	-	-	
3600K	220	221	-	-	
3800K	222	223	-	-	
4000K	224	225	-	-	
4200K	226	227	-	-	
4400K	228	229	-	-	
4600K	230	231	-	-	
4800K	232	233	-	-	
5000K	234	235	-	-	
5200K	236	237	-	-	
5400K	238	239	-	-	
5600K	240	241	-	-	
6000K	242	243	-	-	
6500K	244	245	-	-	
7000K	246	247	-	-	
8000K	248	249	-	-	
9000K	250	251	-	-	
10000K	252	253	-	-	
FULL ON	254	255	-	-	

**Effects**

Function	8 bit value		16 bit value		Note
	From	To	From	To	
No Function	0	10	-	-	
FX 1	11	60	-	-	
FX 2	61	110	-	-	
FX 3	111	160	-	-	
FX 4	161	210	-	-	
FX 5 (FX 1 -4)	211	255	-	-	

Default @ 0

**Effect Speed**

Function	8 bit value		16 bit value		Note
	From	To	From	To	
From slow to fast	0	255	-	-	Default @ 128

**Control Channel**

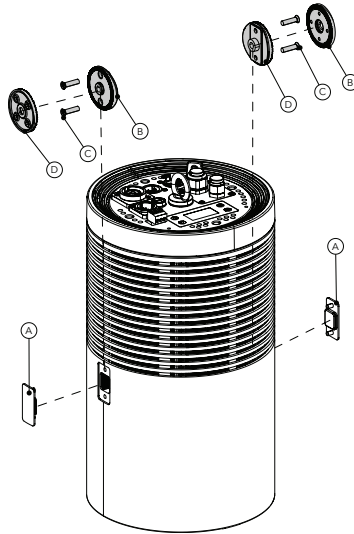
Function	8 bit value		16 bit value		Note
	From	To	From	To	
No Functon	0	1	-	-	Default @ 0
DIMMER CURVE LINEAR	2	3	-	-	Hold 3s to take function
DIMMER CURVE S-CURVE	4	5	-	-	
DIMMER CURVE SQUARE LAW	6	7	-	-	
DIMMER CURVE INVERSE SQUARE LAW	8	9	-	-	
DIMMER SPEED AUTO	10	11	-	-	
DIMMER SPEED FAST	12	13	-	-	
DIMMER SPEED MEDIUM	14	15	-	-	
DIMMER SPEED SLOW	16	17	-	-	
LED FREQUENCY 600HZ	18	19	-	-	
LED FREQUENCY 1200HZ	20	21	-	-	
LED FREQUENCY 2000HZ	22	23	-	-	
LED FREQUENCY 4000HZ	24	25	-	-	
LED FREQUENCY 6000HZ	26	27	-	-	
LED FREQUENCY 25KHZ	28	29	-	-	
LED FREQUENCY 36KHZ	30	31	-	-	
LED FREQUENCY 40KHZ	32	33	-	-	
DMX FAULT HOLD	34	35	-	-	
DMX FAULT BLACKOUT	36	37	-	-	
DMX FAULT STAND ALONE	38	39	-	-	
DMX FAULT EMERGENCY	40	41	-	-	
WHITE CALIBRATION OFF	42	43	-	-	
WHITE CALIBRATION STUDIO	44	45	-	-	
WHITE CALIBRATION MANUAL	46	47	-	-	
WHITE CALIBRATION CALIBRATED	48	49	-	-	
STAND ALONE MASTER DMX	50	51	-	-	
STAND ALONE MASTER NO DMX	52	53	-	-	
STAND ALONE SLAVE	54	55	-	-	
STAND ALONE EFFECTS	56	57	-	-	
STAND ALONE STATIC COLORS	58	59	-	-	
STAND ALONE WHITE PRESETS	60	61	-	-	
STAND ALONE COLOR MACROS	62	63	-	-	
STAND ALONE MANUAL COLORS	64	65	-	-	
TUNGSTEN EMULATION ON	66	67	-	-	
TUNGSTEN EMULATION OFF	68	69	-	-	
OUTPUT CONTROL CONSTANT	70	71	-	-	
OUTPUT CONTROL DYNAMIC	72	73	-	-	
Reserved	74	253	-	-	
Reset all channel controlled	254	255	-	-	

## 12 - ACCESSORIES INSTALLATION

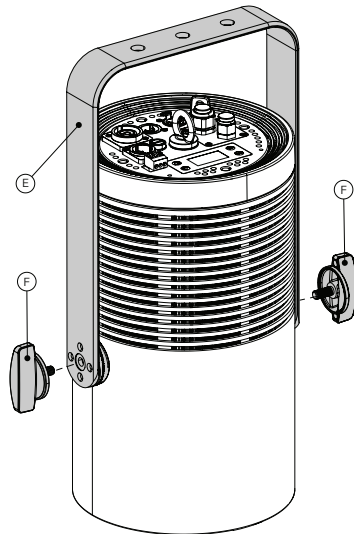
### HANGING BRACKET (CODE ECLPENDHGBRKBK/WH - OPTIONAL)

---

1



2



Place fixture on a stable surface.

1. Remove rubber caps (A). Fix spacer disks (B) using the M5 screws (C), in the holes of the unit.
2. Align inner mounting disc (D) and hanging bracket (E) with the previously mounted spacer disks and then insert and rotate knobs (F) clockwise to secure hanging bracket in desired position.

Please turn! ➡

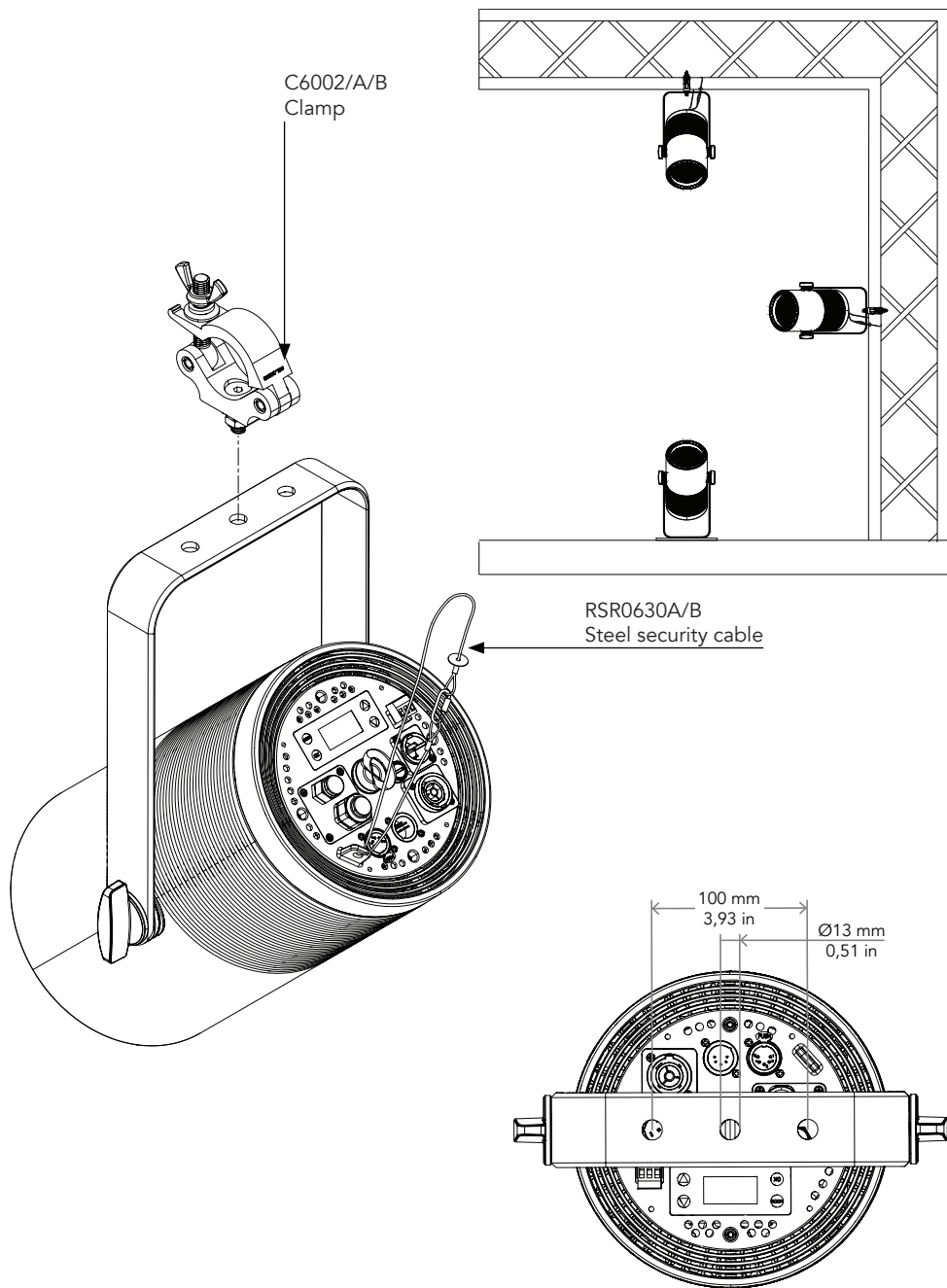
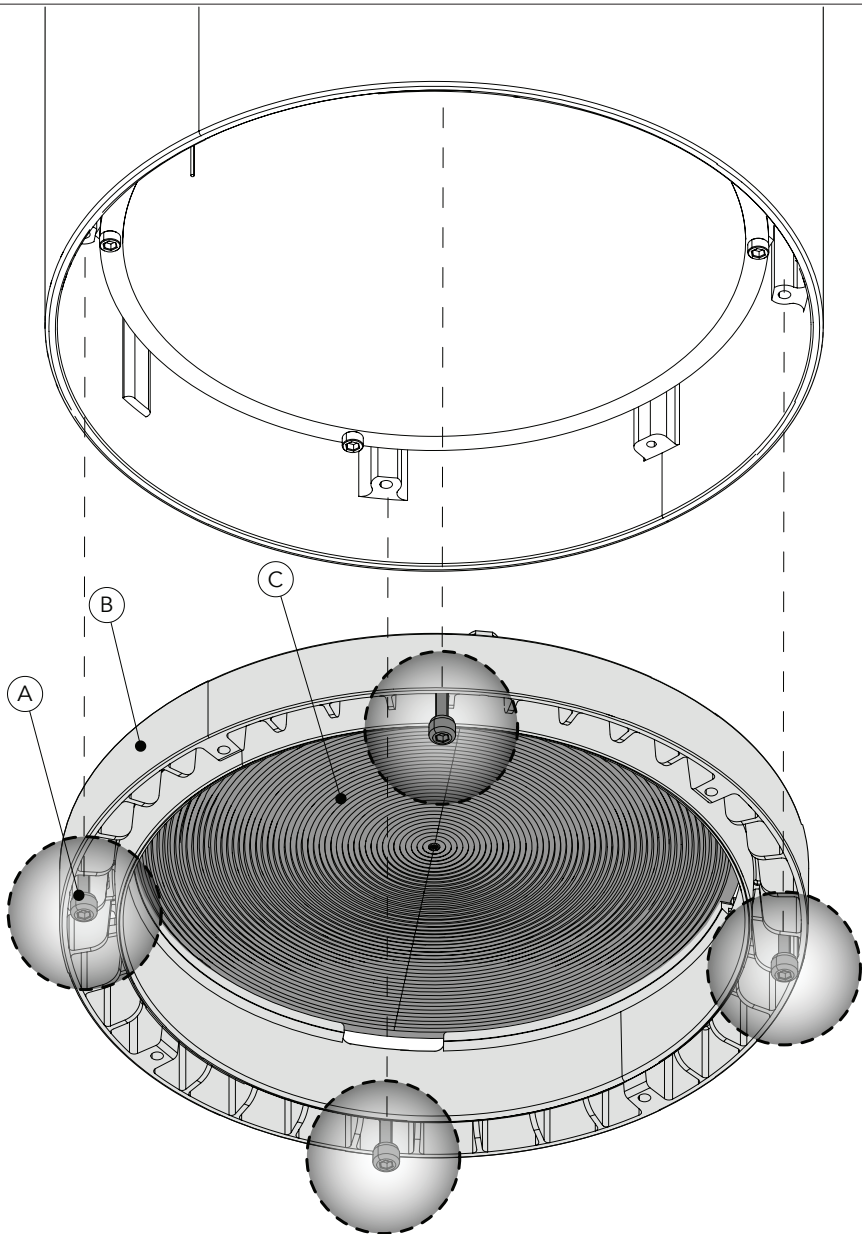


Fig. 11



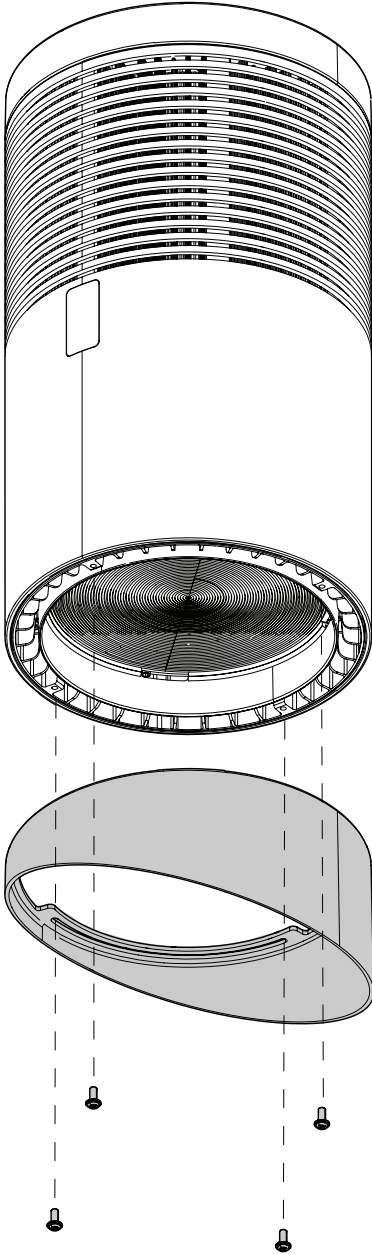


Place fixture on a stable surface.

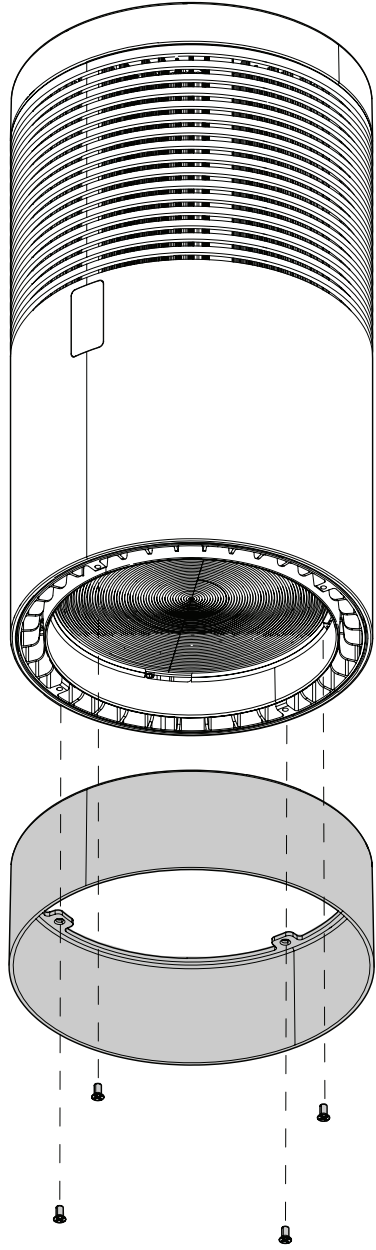
- Loosen the three M4 (A) screws and remove the lens holder frame (B).
- Remove the lens (C) and its reflect cup to insert the desired one.
- Check lens is positioned correctly and then secure lens holder frame.

Fig. 12

1 - HALF SNOOT



2 - FULL SNOOT

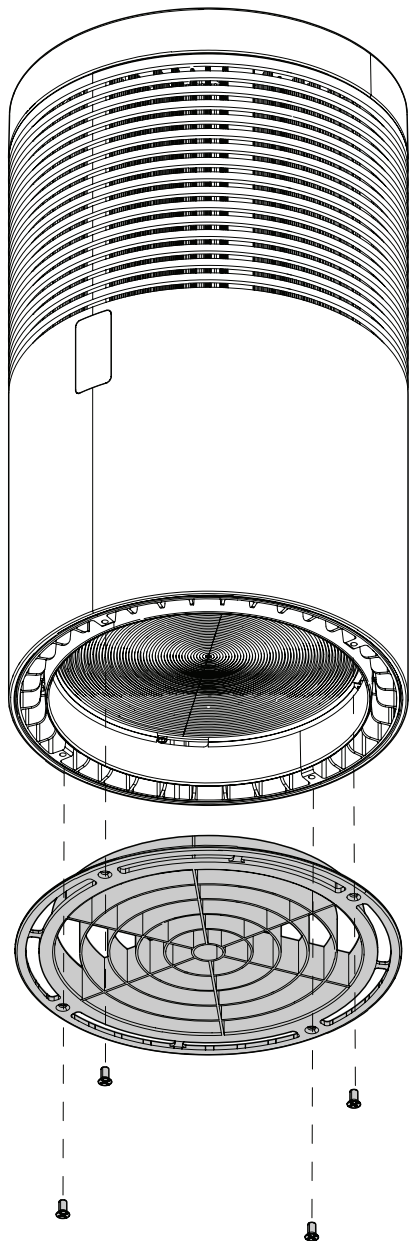


Attach half / full snoot to the fixture lens holder frame and secure with the four M4 screws.

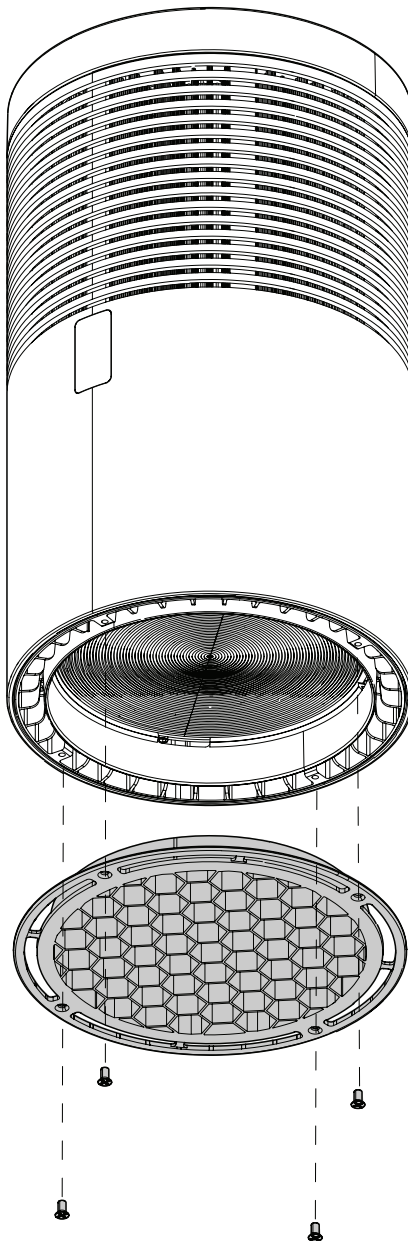
Fig. 13

CONCENTRIC LOUVRE / HONEYCOMB LOUVRE (CODE ECLPENDCLOUVREBK / WH, ECLPEND-HLOUVREBK / WH - OPTIONAL)

1 - LOUVRE



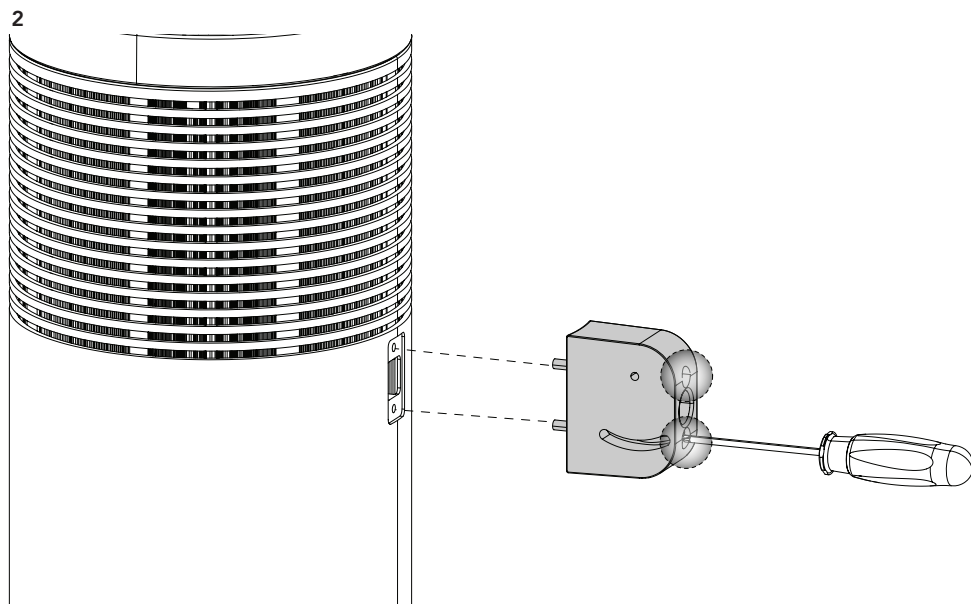
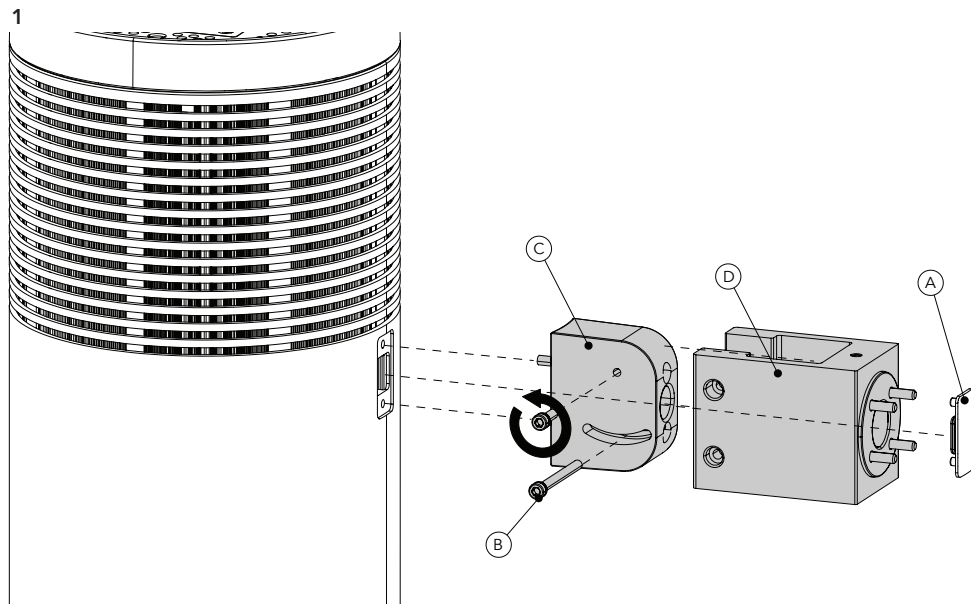
2 - HONEYCOMB



Attach louvre / honeycomb accessory to the fixture lens holder frame and secure with the four M4 screws.

Fig. 14

## WALL MOUNTING BRACKET (CODE ECLPENDWALLBRKBK/WH - OPTIONAL)



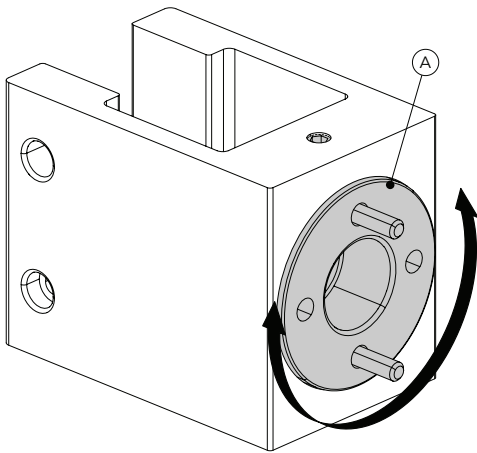
Remove the rubber from the desired side (A).

1. Remove the rubber (A) from the fixture.
2. Unscrew the screws (B) to remove the body (C) from the body (D). Attach the body to the fixture and secure it with the two screws.

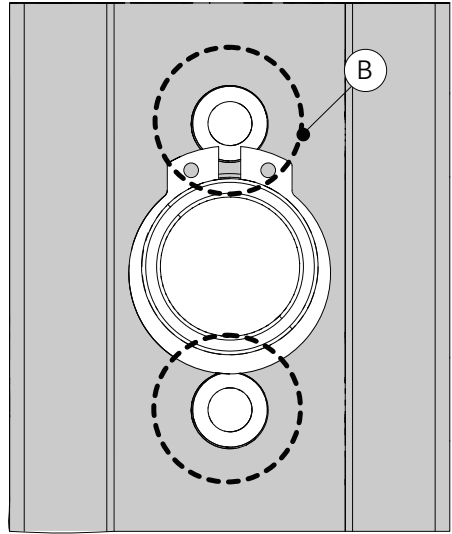
Please turn!



3

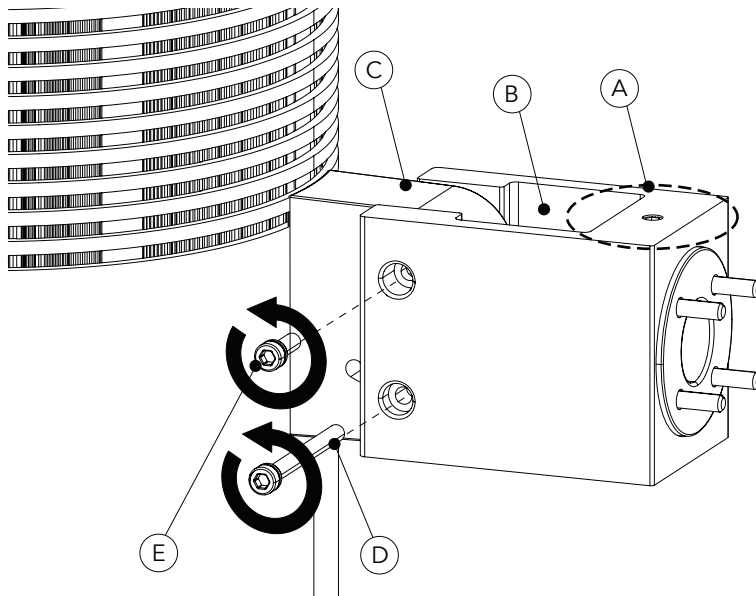


4



Rotate the disc (A) and align the two holes (B). Then insert the screws for wall fixing, and rotate it 90° again and insert the other two screws. Tighten the four screws in total.

5

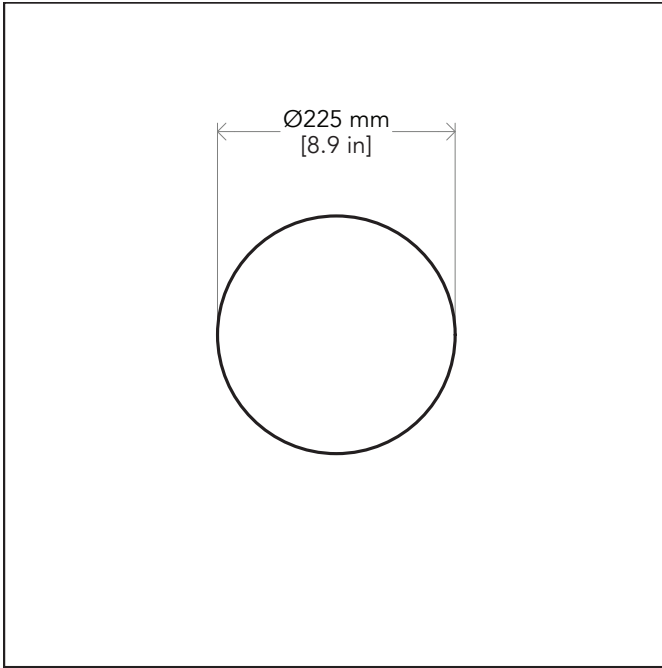


- Tighten the screw (A) to block the horizontal tilt.
  - Attach the two bodies (B-C) and secure it with the two screws (D-E).
- NOTE: use the screw (D) to fix the vertical tilt.

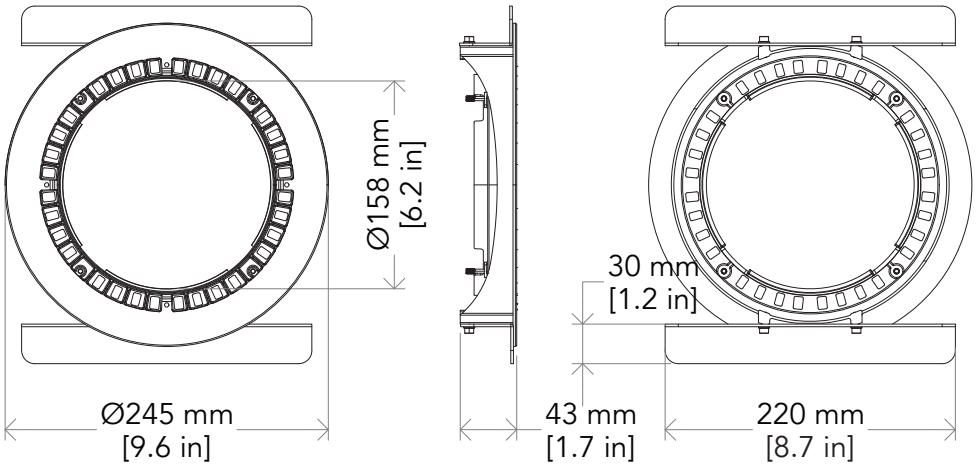
Fig. 15

CEILING RECESSED KIT (CODE ECLPENDRECSKITBK/WH - OPTIONAL)

A

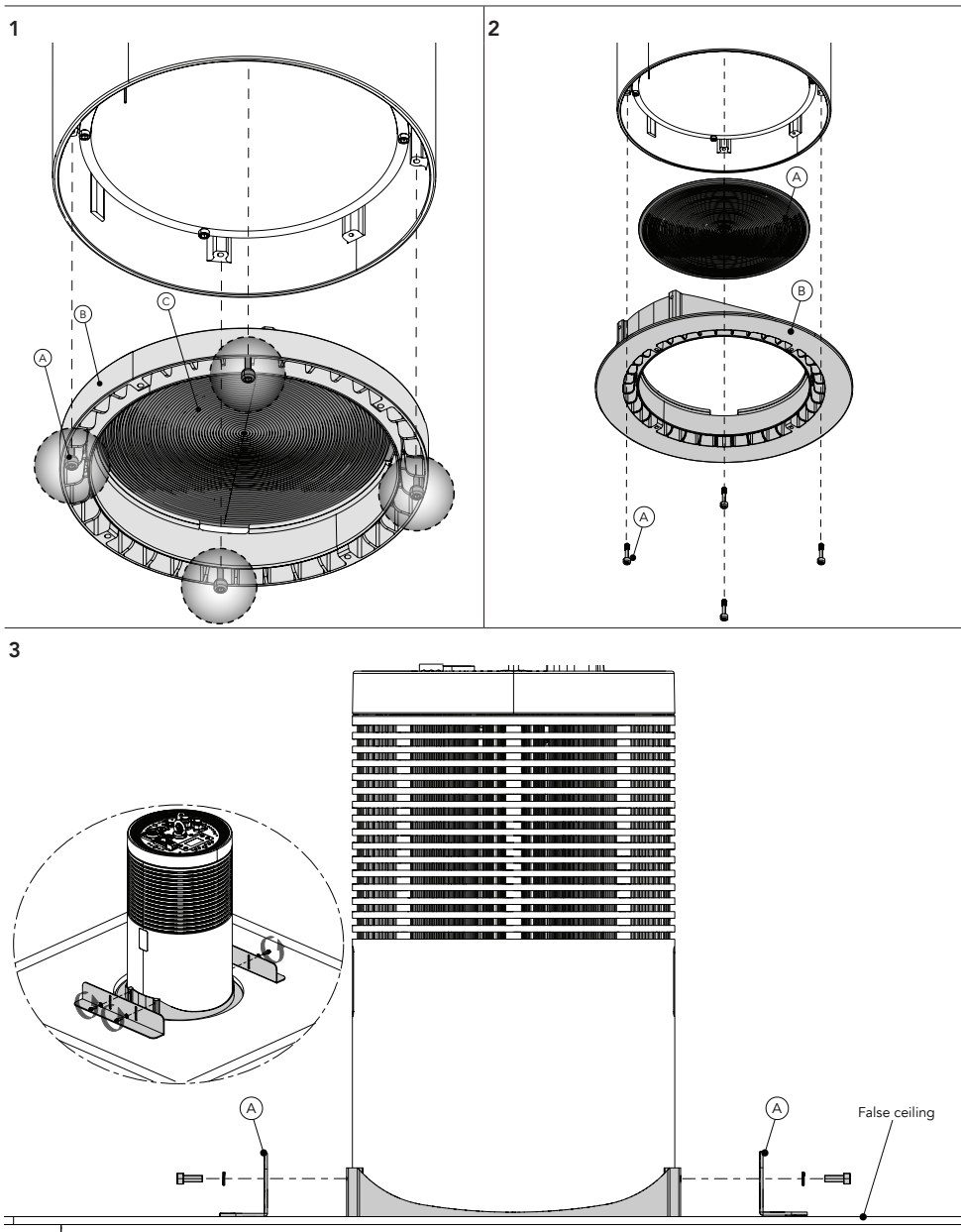


B



Measurements for cuts on the panels (1) and of Ceiling Recessed kit (2).

Please turn! →



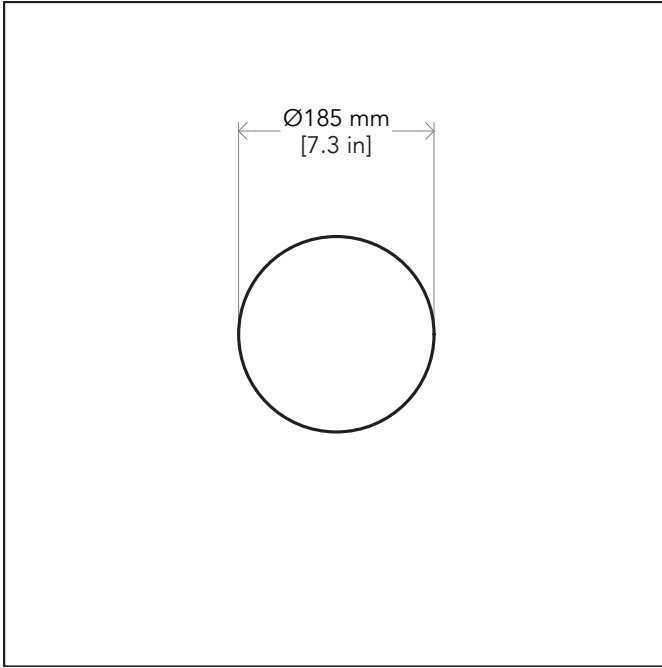
Place fixture on a stable surface.

1. Loosen the four M4 screws (A) and remove the lens holder frame (B), lens (C) and its filter.
2. Mount the lens (A) on the accessory flange Ceiling Recessed kit (B).  
Attach the accessory flange (B) to the fixture and secure it with the four M4 screws (C).
3. Fix the two parts (A) on the panel and tighten using the screws (B).

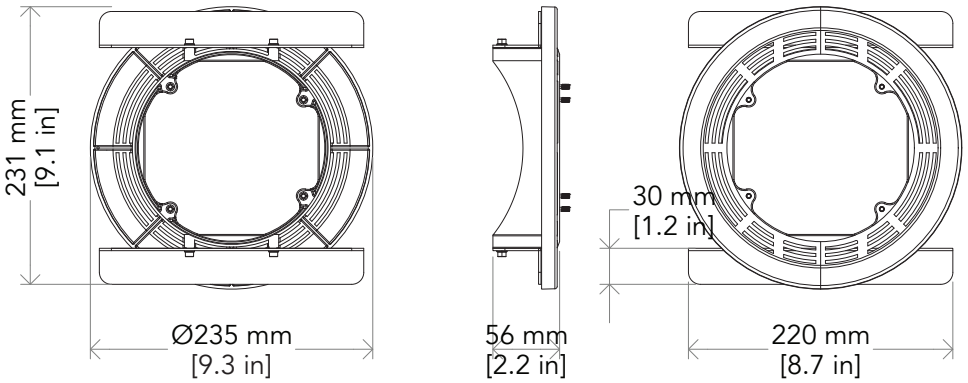
Fig. 16

CEILING-MOUNTED KIT SURFACE (CODE ECLPENDCEILKITBK/WH - OPTIONAL)

A



B

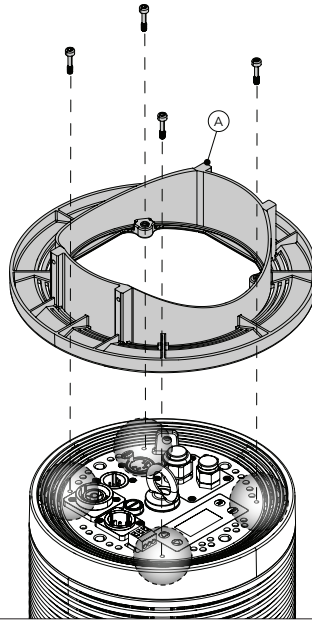


Measurements for cuts on the panels (1) and of Ceiling Mounted kit (2).

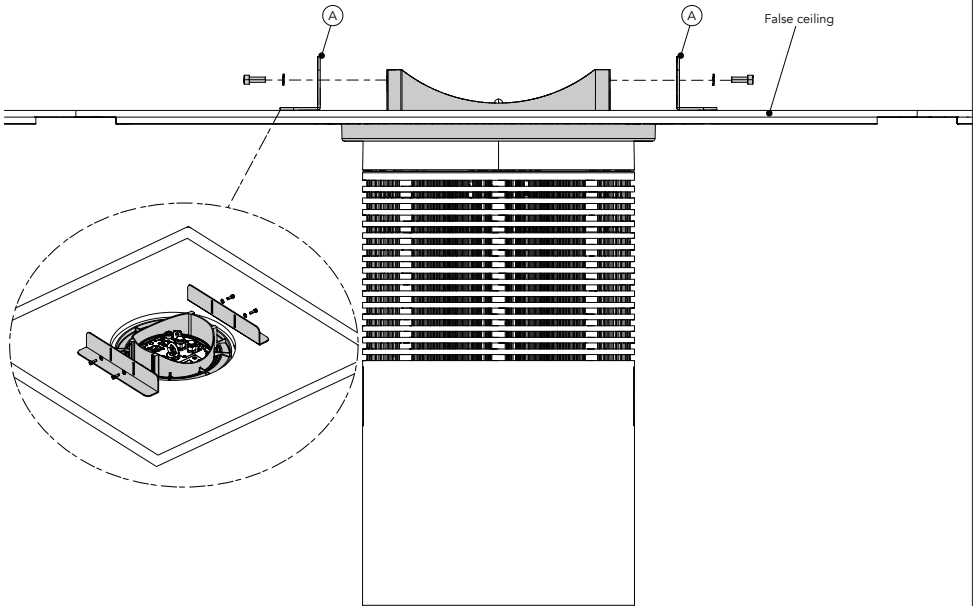
Please turn! →



1



2



Place fixture on a stable surface.

1. Attach the accessory flange (A) to the fixture and secure it with the four M4 screws.
2. Fix the two parts (A) on the panel and tighten using the screws.

Fig. 17

# 13 - MAINTENANCE

## MAINTENANCE AND CLEANING THE PRODUCT

**WARNING:** Disconnect from the mains before starting any maintenance work

It is recommended to clean the front at regular intervals, from impurities caused by dust, smoke, or other particles to ensure that the light is radiated at maximum brightness.

- For cleaning, disconnect the main plug from the socket. Use a soft, clean cloth moistened with a mild detergent. Then carefully wipe the part dry. For cleaning other housing parts use only a soft, clean cloth. Never use a liquid, it might penetrate the unit and cause damage to it.
- The user must clean the product periodically to maintain optimum performance and cooling. The user may also upload firmware (product software) to the fixture via the DMX signal input port or USB port using firmware and instructions from PROLIGHTS.
- The frequency of such maintenance operations is to be performed according to various factors, such as the amount of the use and the condition of the installation environment (air humidity, presence of dust, salinity, etc.). It is recommended that the product is subject to annual service by a qualified technician for special maintenance involving at least the following procedures:
  - General cleaning of internal parts.
  - For all the parts subject to friction, using lubricants specifically supplied by PROLIGHTS.
  - General visual check of the internal components, cabling, mechanical parts, etc.
  - Electrical, photometric and functional checks; eventual repairs.
  - Cleaning the lenses. Only use neutral soap and water to clean the lenses, then dry it carefully with a soft, non-abrasive cloth.

**WARNING:** the use of alcohol or any other detergent could damage the lenses.

- All other service operations on the product must be carried out by PROLIGHTS, its approved service agents or trained and qualified personnel.
- It is PROLIGHTS policy to apply the strictest possible calibration procedures and use the best quality materials available to ensure optimum performance and the longest possible component lifetimes. However, optical components are subject to wear and tear over the life of the product, resulting in gradual changes in colours over many thousands of hours of use. The extent of wear and tear depends heavily on operating conditions and environment, so it is impossible to specify precisely whether and to what extent performance will be affected. However, you may eventually need to replace optical components if their characteristics are affected by wear and tear after an extended period of use and if you require fixtures to perform within very precise optical and colour parameters.
- Do not apply filters, lenses or other materials on lenses or other optical components. Use only accessories approved by PROLIGHTS.

## REPLACING THE FUSE

**WARNING:** Before replacing the fuse, unplug the product from the mains.

- Remove the old fuse from the housing with a suitable screwdriver (anticlockwise) and replace it with one of the same type and of the same classification (250V, T3, 15A).

## VISUAL CHECK OF PRODUCT HOUSING

- The parts of the product cover/housing should be checked for eventual damages and breaking start at least every two months. In addition, especially the parts of the front lens holder have to be checked mechanically (by means of movement by the part) if it is firmly fastened to the fixture. If hint of a crack is found on some plastic part, do not use the product until the damaged part will be replaced.
- Cracks or another damages of the cover/housing parts can be caused by the product transportation or manipulation and also ageing process may influence materials.
- This checking is necessary for both fixed installations and preparing product for renting. Any free moving parts inside of the product, cracked cover/housing or any part of front lens not sitting properly in place need to be immediately replaced.

## TROUBLESHOOTING

Problems	Possible causes	Checks and remedies
Product doesn't power ON.	<ul style="list-style-type: none"> <li>No power to the product.</li> </ul>	<ul style="list-style-type: none"> <li>Check that power is switched ON and cables are plugged in.</li> </ul>
	<ul style="list-style-type: none"> <li>Fuse blown or internal fault.</li> </ul>	<ul style="list-style-type: none"> <li>Check if the Fuse is intact and eventually replace it if necessary.</li> <li>Contact the PROLIGHTS Service or authorized service partner. Do not remove parts and/or covers, or carry out any repairs or service that are not described in this Safety and User Manual unless you have both authorization from PROLIGHTS and the service documentation.</li> </ul>
Product reset correctly but does not respond correctly to the controller.	<ul style="list-style-type: none"> <li>Bad signal connection.</li> </ul>	<ul style="list-style-type: none"> <li>Inspect connections and cables. Fix eventual bad connections. Repair or replace damaged cables.</li> </ul>
	<ul style="list-style-type: none"> <li>Signal connection not terminated.</li> </ul>	<ul style="list-style-type: none"> <li>Insert DMX termination plug in signal output socket of the last product on the signal line.</li> </ul>
	<ul style="list-style-type: none"> <li>Incorrect addressing of the product.</li> </ul>	<ul style="list-style-type: none"> <li>Check the product address and control settings.</li> </ul>
	<ul style="list-style-type: none"> <li>One of the product is defective and is corrupting the signal transmission on the signal line.</li> </ul>	<ul style="list-style-type: none"> <li>Unplug the XLR in and out connectors and connect them directly together to bypass one product at a time until normal operation is regained. Once found the error, have that fixture serviced by a qualified technician.</li> </ul>
Timeout error after fixture reset.	<ul style="list-style-type: none"> <li>One or more hardware components requires mechanical adjustments.</li> </ul>	<ul style="list-style-type: none"> <li>Check product stored error messages for more information. Contact PROLIGHTS Service or an authorized service partner.</li> </ul>
Mechanical effect loses position.	<ul style="list-style-type: none"> <li>Mechanical hardware require cleaning, adjustment or lubrication.</li> </ul>	<ul style="list-style-type: none"> <li>Check product stored error messages for more information. Contact PROLIGHTS Service or an authorized service partner.</li> </ul>
Light output turn OFF Intermittently.	<ul style="list-style-type: none"> <li>Fixture is too hot.</li> </ul>	<ul style="list-style-type: none"> <li>Check product stored error messages.</li> <li>Allow product to cool.</li> <li>Clean the product and airflow filters.</li> <li>Reduce ambient temperature.</li> </ul>
	<ul style="list-style-type: none"> <li>Hardware failure (temperature sensor, fans, Light source...).</li> </ul>	<ul style="list-style-type: none"> <li>Check product stored error messages for more information. Contact PROLIGHTS Service or an authorized service partner.</li> </ul>
General low light intensity.	<ul style="list-style-type: none"> <li>Dirty lens assembly.</li> </ul>	<ul style="list-style-type: none"> <li>Clean the fixture regularly.</li> </ul>
	<ul style="list-style-type: none"> <li>Dirty or damaged filters.</li> </ul>	<ul style="list-style-type: none"> <li>Install lens assembly properly.</li> </ul>

Contact an authorized service center in case of technical problems or not reported in the table can not be resolved by the procedure given in the table.











**PROLIGHTS** is a trademark of  
**MUSIC & LIGHTS S.r.l.**  
**musiclights.it**

Via A.Olivetti snc  
04026 - Minturno (LT) ITALY  
Tel: +39 0771 72190

**prolights.it**  
support@prolights.it