

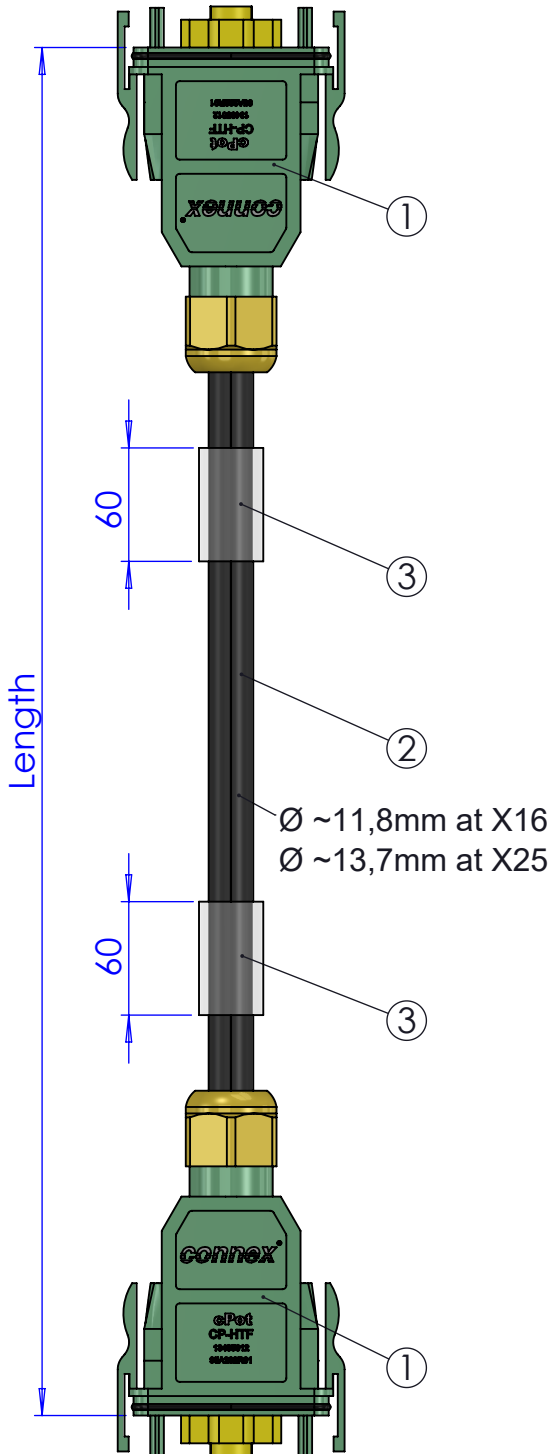
TITANEX rubber cable H07RN-F1X16 black terminated with CONNEX cPot connectors

Protection class: IP65  
 Max. current: 100A  
 operating temperatur: -25°C bis +55°C

transparent shrink tube loose.  
 unshrunk for customized self-labeling before shrinking.

The cPot connectors for potential distribution according to DIN 15700

2x yellow and 2x red safety clips are supplied with each cable.  
 These clips can only be released with a tool.



Description	Order-Code	Length	Weight
CP-X16-001	1027356	1 m	0,42 kg
CP-X16-002	1027357	2 m	0,68 kg
CP-X16-005	1027358	5 m	1,46 kg
CP-X16-010	1027359	10 m	2,76 kg
CP-X16-015	1027360	15 m	3,90 kg
CP-X16-020	1027361	20 m	5,36 kg
CP-X16-025	1027362	25 m	6,66 kg
CP-X25-010	1027363	10 m	3,86 kg
CP-X25-025	1027364	25 m	9,41 kg
CP-X25-050	1027365	50 m	18,66 kg
CP-X25-R8M-00025 0,25 m eyelet M8 cPot [m] 25 mm² H07RN-F1X	1027366	0,25 m	0,17 kg
CP-X25-R12M-00025 0,25 m eyelet M12 cPot [m] 25 mm² H07RN-F1X	1027367	0,25 m	0,17 kg
CP-X25-R12F-00025 0,25 m eyelet M12 cPot [f] 25 mm² H07RN-F1X	1027368	0,25 m	0,17 kg

No.	Part	Qty.
1	CONNEX CP-LTFA	2
2	TITANEX H07RN-F1X16 / H07RN-F1X25	1
3	Shrink Tube Ø 16,0 -> 8,0 / unshrunked	2

Note: cables <= 1m only 1x shrink tube, cables > 1m 2x shrink tubes

Sheet Number 1/1	Projection 	Scale 1:2	Format A4	Tolerancing ISO 2768-	
g	cm²	cm³	Created	HeBo	28.05.2021
Material			Modified		
Material addition			Approved	DiRo	28.05.2021
Description CP-X CONNEX cPot grounding cables			ECN Number		
			Status	FOR FINAL	
3D Model ID			Document ID	Revision 01	