

gizmo

Designed to discretely illuminate
objects in museum display cases



Tool-less interchangeable lenses

Available in many variations

Gizmo is a mini spotlight with excellent color rendition.

Gizmo has been a proud servant in museums all over Scandinavia for well over 10 years, and, during that time has been continuously improved in order to meet lighting designers expectations of a high-quality fixture.

Gizmo is available for the following lighting systems:



**Pico Trac
(12V DC)**

- * Fixture has built-in 0-100% dimmer
- * No external dimming possible
- * Easy to install



**LED Profile
(Constant current)**

- * Dimmable from the wall or the app
- * Can utilize external LED driver functions e.g. wall dimmers, Casambi, DMX or DALI
- * Installed with connector cables



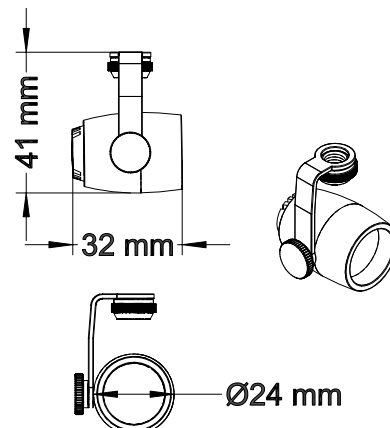
TECHNICAL SPECIFICATION

Material	Lamp housing made of aluminium, Yoke and details made of steel, Lens made of polycarbonate
Finish	Grey (RAL 7040) Black (RAL 9005) White (RAL 9016) Brass
System	Pico Trac LED Profile
Protection class	IP20
Power consumption	2,1W/3W
Beam angle	Interchangeable lenses
Color temperatures	2200K, 2700K, 3000K, 4000K
Swivels	>365°
Tilts	>90°
Weight	50 g
Features	Toolless pan, Tilt lock

LIGHT DATA

LED Lumen	190 lm
Luminaire Lumen	147 lm (Narrow)
CRI	90
Red component R9	>60
MacAdam	3-step ellipse (SDCM 3)
TM30-18 Rf	92
TM30-18 Rg	104

* Data from 3000K



SPOTLIGHTS GIZMO



GIZMO / PICO TRAC

Built-in local dimmer (0-100%)

Fits Pico Trac

2200K	GIZ22-PT-*	Gizmo 12V DC/3W PicoTrac 2200K	190lm, CRI 80, lins N, dimmer
2700K	GIZ27-PT-*	Gizmo 12V DC/3W PicoTrac 2700K	180lm, CRI 90, lins N, dimmer
3000K	GIZ30-PT-*	Gizmo 12V DC/3W PicoTrac 3000K	190lm, CRI 90, lins N, dimmer
4000K	GIZ40-PT-*	Gizmo 12V DC/3W PicoTrac 4000K	200lm, CRI 90, lins N, dimmer
5700K	GIZ57-PT-*	Gizmo 12V DC/3W PicoTrac 5700K	210lm, CRI 90, lins N, dimmer

* 1: Grey 2: Black 3: White 4: Brass 5: Stainless



GIZMO / CCL

For LED Profile

Operated by external LED driver, max 700 mA / 2,1W, Vf = 3V

2200K	GIZ22-CCL-*	Gizmo CC/700mA LED-profile 2200K	190lm, CRI 80, Vf=3V, lens N
2700K	GIZ27-CCL-*	Gizmo CC/700mA LED-profile 2700K	180lm, CRI 90, Vf=3V, lens N
3000K	GIZ30-CCL-*	Gizmo CC/700mA LED-profile 3000K	190lm, CRI 90, Vf=3V, lens N
4000K	GIZ40-CCL-*	Gizmo CC/700mA LED-profile 4000K	200lm, CRI 90, Vf=3V, lens N
5700K	GIZ57-CCL-*	Gizmo CC/700mA LED-profile 5700K	210lm, CRI 90, Vf=3V, lens N

* 1: Grey 2: Black 3: White 4: Brass 5: Stainless



GIZMO / CCS

No driver / adapter included

Operated by external LED driver, max 700 mA / 2,1W, Vf = 3V

2200K	GIZ22-CCS-*	Gizmo CC/700mA Solo 2200K	190lm, CRI 80, Vf=3V, lins N, 1m cable
2700K	GIZ27-CCS-*	Gizmo CC/700mA Solo 2700K	180lm, CRI 90, Vf=3V, lins N, 1m cable
3000K	GIZ30-CCS-*	Gizmo CC/700mA Solo 3000K	190lm, CRI 90, Vf=3V, lins N, 1m cable
4000K	GIZ40-CCS-*	Gizmo CC/700mA Solo 4000K	200lm, CRI 90, Vf=3V, lins N, 1m cable
5700K	GIZ57-CCS-*	Gizmo CC/700mA Solo 5700K	210lm, CRI 90, Vf=3V, lins N, 1m cable

* 1: Grey 2: Black 3: White 4: Brass 5: Stainless





GIZMO PT CASAMBI

Fixture is configured using the Casambi app
Fits Pico Trac

2200K	GIZ22-PTC-*	Gizmo 12V DC/3W PT Casambi 2200K	190lm, CRI 80, lins N, Casambi
2700K	GIZ27-PTC-*	Gizmo 12V DC/3W PT Casambi 2700K	180lm, CRI 90, lins N, Casambi
3000K	GIZ30-PTC-*	Gizmo 12V DC/3W PT Casambi 3000K	190lm, CRI 90, lins N, Casambi
4000K	GIZ40-PTC-*	Gizmo 12V DC/3W PT Casambi 4000K	200lm, CRI 90, lins N, Casambi
5700K	GIZ57-PTC-*	Gizmo 12V DC/3W PT Casambi 5700K	210lm, CRI 90, lins N, Casambi

* 1: Grey 2: Black 3: White 4: Brass 5: Stainless



GIZMO SNOOT

Extended glare protection for Gizmo fixtures
Length is 25 mm

GIZ-B25-*	Gizmo Snoot
-----------	-------------

* 1: Grey 2: Black 3: White 4: Brass 5: Stainless



GIZMO LENSES

Lenses for Gizmo fixture

GIZ-L-VN	Gizmo Lens VN	Very Narrow, 10°
GIZ-L-N	Gizmo Lens N	Narrow (Standard), 14°
GIZ-L-S	Gizmo Lens S	Spot, 15°
GIZ-L-M	Gizmo Lens M	Medium, 26°
GIZ-L-W	Gizmo Lens W	Wide, 34°
GIZ-L-VW	Gizmo Lens VW	Very Wide, 55°
GIZ-L-E	Gizmo Lens E	Elliptic, 37x16°