



EclExpo Flood300FC

300W Full Colour RGB+WarmWhite asymmetric LED floodlight



USER MANUAL

Thank you for choosing PROLIGHTS

Please note that every PROLIGHTS product has been designed in Italy to meet quality and performance requirements for professionals and designed and manufactured for the use and application as shown in this document.

Any other use, if not expressly indicated, could compromise the good condition/operation of the product and/or be a source of danger.

This product is meant for professional use. Therefore, commercial use of this equipment is subject to the respectively applicable national accident prevention rules and regulations.

Features, specifications and appearance are subject to change without notice. Music & Lights S.r.l. and all affiliated companies disclaim liability for any injury, damage, direct or indirect loss, consequential or economic loss or any other loss occasioned by the use of, inability to use or reliance on the information contained in this document.

Product user manual can be downloaded from the website www.prolights.it, or can be inquired to the official PROLIGHTS distributors of your territory (https://www.prolights.it/sales_network.html).

Scanning the below **QR Code**, you will access the download area of the product page, where you can find a broad set of always updated technical documentation: specifications, user manual, technical drawings, photometrics, personalities, fixture firmware updates.



Visit the download area
of the product page



The PROLIGHTS Logo, PROLIGHTS names and all other trademark in this document pertaining to PROLIGHTS services or PROLIGHTS product are trademarks OWNED or licensed by Music & Lights S.r.l., its affiliates, and subsidiaries. PROLIGHTS is a registered trademark by Music & Lights S.r.l. All right reserved. Music & Lights – Via A. Olivetti, snc - 04026 - Minturno (LT) ITALY.

INDEX

SAFETY INFORMATION	02
1 - PACKAGING	05
PACKAGE CONTENT	05
OPTIONAL ACCESSORIES	05
2 - TECHNICAL DRAWING	05
3 - INSTALLATION	06
MOUNTING	06
4 - CONNECTION TO THE MAINS SUPPLY	07
5 - START UP	07
CONNECT AND DISCONNECT POWER FROM THE PRODUCT	07
6 - PRODUCT OVERVIEW	08
7 - DMX CONNECTION	09
CONNECTION OF THE CONTROL SIGNAL: DMX LINE	09
INSTRUCTIONS FOR A RELIABLE DMX CONNECTION	09
CONNECTION DAISY CHAIN	09
CONNECTION OF THE DMX LINE	09
CONSTRUCTION OF THE DMX TERMINATION	10
DMX ADDRESSING	10
OPERATION AS A WIRELESS TRANSMITTER	10
Unlinking the transmitter	11
DMX TO WDMX (TX)	11
OPERATION AS A WIRELESS RECEIVER	11
Reset the receiver	11
WDMX TO DMX (RX)	11
8 - CONTROL PANEL	12
DISPLAY AND BUTTONS LAYOUT	12
ROTATORY KNOB LAYOUT	12
9 - MENU STRUCTURE	13
10 - RDM FUNCTIONS	17
11 - SHORTCUTS	20
12 - ERROR MESSAGES	20
13 - DMX CHARTS	21
14 - ACCESSORIES INSTALLATION	29
ANTI-GLARE LOUVRE (CODE ECLEXPFL300FCLVB/W - OPTIONAL)	29
FILTER FRAME (CODE ECLEXPFL300FCFFB/W - OPTIONAL)	29
BARNDOOR (CODE ECLEXPFL300FCBDB/W - OPTIONAL)	30
15 - MAINTENANCE	31
MAINTENANCE AND CLEANING THE PRODUCT	31
REPLACING THE FUSE	31
VISUAL CHECK OF PRODUCT HOUSING	31
TROUBLESHOOTING	32

SAFETY INFORMATION



WARNING!

- See <https://www.prolights.it/product/ECLEXPOFL300FC#download> for installation instructions.
- Please read carefully the instruction reported in this section before installing, powering, operating or servicing the product and observe the indications also for its future handling.



This unit is not for household and residential use, only professional applications.



Connection to mains supply

- The Connection to the mains supply must be carried out by a qualified electrical installer.
- Use only AC supplies 100-240V 50-60 Hz, the fixture must be electrically connected to ground (earth).
- Select the cable cross section in according with the maximum current draw of the product and the possible number of products connected at the same power line.
- The AC mains power distribution circuit must be equipped with magnetic+residual current circuit breaker protection.
- Do not connect it to a dimmer system; doing so may damage the product.



Protection and Warning against electrical shock

- Do not remove any cover from the product, always disconnect the product from AC power before servicing.
- Ensure that the fixture is electrically connected to ground (earth). And use only a source of AC power that complies with local building and electrical codes and has both overload and ground-fault (earth-fault) protection.
- Before using the fixture, check that all power distribution equipment and cables are in perfect condition and rated for the current requirements of all connected devices.
- Isolate the fixture from power immediately if the power plug or any seal, cover, cable, or other components are damaged, defective, deformed or showing signs of overheating.
- Do not reapply power until repairs have been completed.
- Refer any service operation not described in this manual to PROLIGHTS Service team or an authorized PROLIGHTS service center.



Installation

- Make sure that all visible parts of the product are in good visible condition before its use or installation.
- Make sure the point of anchorage is stable before positioning the projector.
- When suspending the fixture above ground level, secure it against failure of primary attachments by attaching a safety cable that is approved as a safety attachment for the weight of the fixture to the attachment point on the main frame of the product. In case the safety cable, enter in action, it needs to be replaced with a new one.
- Install the product only in well ventilated places.
- For non temporary installations, ensure that the fixture is securely fastened to a load-bearing surface with suitable corrosionresistant hardware.
- For a temporary installation with clamps, ensure that the quarter-turn fastener and/or screws are turned fully, and secured with a suitable safety cable.



Minimum distance of illuminated objects

- The projector needs to be positioned so that the objects hit by the beam of light are at least 0.5 meters (1.64 ft) from the lens of the projector.

T_a 45°C

Max operating ambient temperature (T_a)

- Do not operate the fixture if the ambient temperature (T_a) exceeds 45 °C (113 °F).

T_a -10°C

Minimum operating ambient temperature (T_a)

- Do not operate the fixture if the ambient temperature (T_a) is below -10 °C (14 °F).



Protection from burns and fire

- The exterior of the fixture becomes hot during use. Avoid contact by persons and materials.
- Ensure that there is free and unobstructed airflow around the fixture.
- Keep flammable materials well away from the fixture
- Do not expose the front glass to sunlight or any other strong light source from any angle. Lenses can focus the sun's rays inside the fixture, creating a potential fire hazard.
- Do not attempt to bypass thermostatic switches or fuses.



Indoor use

- This product is designed for indoor and dry environments.
- Do not use in wet location and do not expose the fixture to rain or moisture.
- Never use the fixture in places subject to vibrations or bumps.
- Make certain that no inflammable liquids, water or metal objects enter the fixture.
- Excessive dust, smoke fluid, and particle build up degrades performance, causes overheating and will damage the fixture.
- Damages caused by inadequate cleaning or maintenance are not covered by the product warranty.

T_c 80°C

Temperature of the external surface

- The surface of the fixture can reach up to 80 °C (176 °F) during operation. Avoid contact with people and materials.



Maintenance

- Warning! Disconnect the fixture from AC mains power and allow to cool for at least 10 minutes before handling.
- Only technicians who are authorized by PROLIGHTS or Authorised service partners are permitted to open the fixture.
- Users may carry out external cleaning, following the warnings and instructions provided, but any service operation not described in this manual must be referred to a qualified service technician.
- Important! Excessive dust, smoke fluid, and particle build up degrades performance, causes overheating and will damage the fixture. Damages caused by inadequate cleaning or maintenance is not covered by the product warranty.



Photobiological safety

- This device emits potentially dangerous optical radiation and is identified in the category of Risk Group 1 according to EN 62471.



Do not stare at the operating light source

- Do not look directly at the LED source during operation. It can be harmful to the eyes and skin.
- During Installation, operation and maintenance, be prepared for the fixture to light and move suddenly when connected to power.



Disposal

- This product is supplied in compliance with European Directive 2012/19/EU – Waste Electrical and Electronic Equipment (WEEE). To preserve the environment please dispose/ recycle this product at the end of its life according to the local regulation.



The products to which this manual refers comply with:

- 2014/35/EU - Safety of electrical equipment supplied at low voltage (LVD).
- 2014/30/EU - Electromagnetic Compatibility (EMC).
- 2011/65/EU - Restriction of the use of certain hazardous substances (RoHS).
- 2014/53/EU - Radio Equipment Directive (RED).



The products to which this manual refers comply with:

- UL 1573 + CSA C22.2 No. 166 - Stage and Studio Luminaires and Connector Strips.
- UL 1012 + CSA C22.2 No. 107.1 - Standard for power units other than class 2.



FCC Compliance:

- This device complies with Part 15 of the FCC Rules. Operation is subject to the following two conditions:
 1. This device may not cause harmful interference, and
 2. This device must accept any interference received, including interference that may cause undesired operation.



Other approvals

1 - PACKAGING

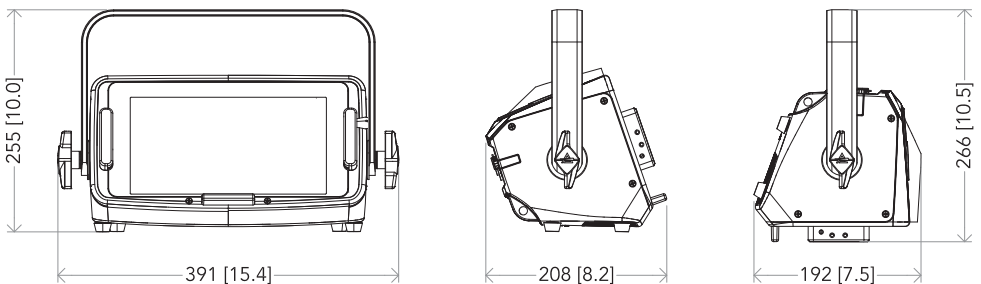
PACKAGE CONTENT

- 1x ECLEXPFL300FC.
- 1x 1,5 meters power cable (BARE END - SEETRONIC POWERCON TRUE1 IP65).
- User Manual

OPTIONAL ACCESSORIES

- WSBBR512G6: blackBox R-512 G6 receiver 512Ch, 2.45GHz,DMX&RDM,Bluetooth,G3,G4,G4S,G5,CRMX.
- WSBBR512G5: blackBox R-512 G5 receiver 512Ch, 2.45GHz & 5.8GHz, DMX/RDM optional.
- WSBBF1G6: blackBox F-1 G6 transrec, 512ch, 2.45GHz, DMX&RDM,Bluetooth,G3,G4,G4S, G5, CRMX.
- WSBBF1G5: blackBox F-1 G5 transmitter, 2,45GHz & 5.2/5,8 GHz, DMX/RDM, 512Ch.
- TOUR53415L03BK: dmx cable HC5340. CANC5MXX XLR 5p->CANC5FXX XLR (f) 5p, L.3m.
- 958225L03: 3x2.5mm TH07 Cable, 16A 3p PwCon MXW, 16A 3p PwCon FXW, L. 3m.
- 9513FXWL03: ass. 3x2.5mm TH07 cable, 16A 3p 230V CEE plug, MENAC3FXW socket, L.3 m.
- 958225L03: 3x2.5mm TH07 Cable, 16A 3p PwCon MXW, 16A 3p PwCon FXW, L. 3m.
- FCLEXPFL300VW: flight case for 6 pcs of ECLEXPFL300FC.
- ECLEXPFL300FCFFB / W: filter frame for ECLEXPFL300FC, black / white finishing.
- ECLEXPFL300FCLVB / W: anti-glare louvre for ECLEXPFL300FC, black / white finishing.
- ECLEXPFL300FCBDB / W: barndoor for ECLEXPFL300FC, black / white finishing.
- ECLEXPFL300FCWKB / W: wireless kit for ECLEXPFL300FC, black / white finishing.
- UPBOX1UP5: firmware uploader kit, USB IN, 5pin XLR DMX OUT, USB OUT.
- RSR0630A/B: steel security cable for hanging bodies, inox steel shackle, L=60 cm, silver/black.
- C6002A/B: slim aluminium clamp, 200 kg loading, 48-51 mm tubes, M10 bolt, silver/black.
- SPGM10: 28mm spigot for fixtures, M10 bolt.
- SPGM12: 28mm spigot for fixtures, M12 bolt.

2 - TECHNICAL DRAWING



Weight: 5.2 kg / 11,46 lbs

Fig. 01

3 - INSTALLATION

MOUNTING

Check that the supporting structure can safely bear the weight of all installed fixtures, clamps, cables, auxiliary equipment, etc. and complies with locally applicable regulations.

When suspending the fixture above ground level, secure it against failure of primary attachments by attaching a safety wire that is approved as a safety attachment for the weight of the fixture to an anchor point on the product main frame.

Do not use removable parts or weak anchors for secondary attachment.

Warning! When clamping the fixture to a truss or other structure at any angle, use clamps of half-coupler type. Do not use any type of clamp that does not completely encircle the structure when fastened.

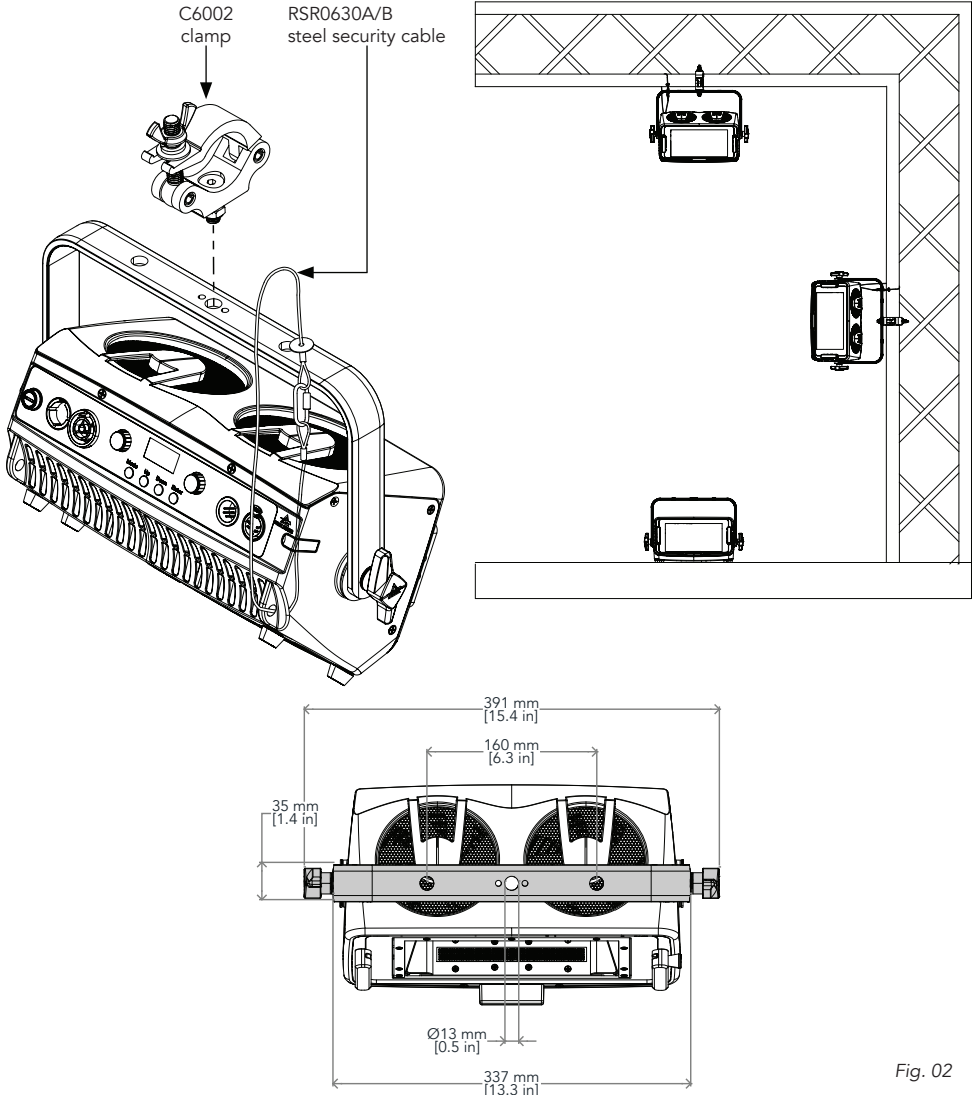


Fig. 02


4 - CONNECTION TO THE MAINS SUPPLY

WARNING: For protection from electric shock, the fixture must be earthed!

The product is equipped with auto-switching power supply that automatically adjusts to any 50-60Hz AC power source from 100-240 Volts.

If you need to install a power plug on the power cable to allow connection to power outlets, install a grounding-type (earthed) plug, following the plug manufacturer's instructions. If you have any doubts about proper installation, consult a qualified electrician.

The max power consumption is 340W.

Core (EU)	Core (US)	Connection	Plug terminal marking
Brown	Black	Live	L
Blue	White	Neutral	N
Yellow+green	Green	Earth	

5 - START UP

CONNECT AND DISCONNECT POWER FROM THE PRODUCT

To apply and disconnect power to the product:

- Check that the product is installed and secured as indicated in the Safety Informations, and that personal safety will not be put at risk when the fixture lights up.
- Connect the power connector into the Mains input socket (100-240 VAC-50/60 Hz).
- The product is then ready for its operations and can be controlled through the available input signals on board.
- To disconnect power from the product, disconnect the Mains from the socket.
- In case you wish to run the product through an external battery, then connect the product to an external battery (24-36V) into the dedicated XLR4p socket; to disconnect power, disconnect the Battery from the socket.

6 - PRODUCT OVERVIEW

1. BRACKET.
2. KNOB for bracket.
3. MAIN FUSE HOLDER: replace a burnt-out fuse by one of the same type only (T5A 250V).
4. POWER IN: for connection to the Mains 100-240V~/50-60Hz.
5. POWER OUT: power output for connection of multiple units in series.
6. ROTATORY KNOBS for product stand alone control operations.
7. USER INTERFACE with display and buttons for access to the control panel functions.
8. DMX IN (5-p XLR): 1 = GND, 2 = sign-, 3 = sign+, 4 N/C, 5 N/C.
9. DMX OUT (5-p XLR): 1 = GND, 2 = sign-, 3 = sign+, 4 N/C, 5 N/C.
10. ANTENNA of Wireless DMX Receiver internal module.

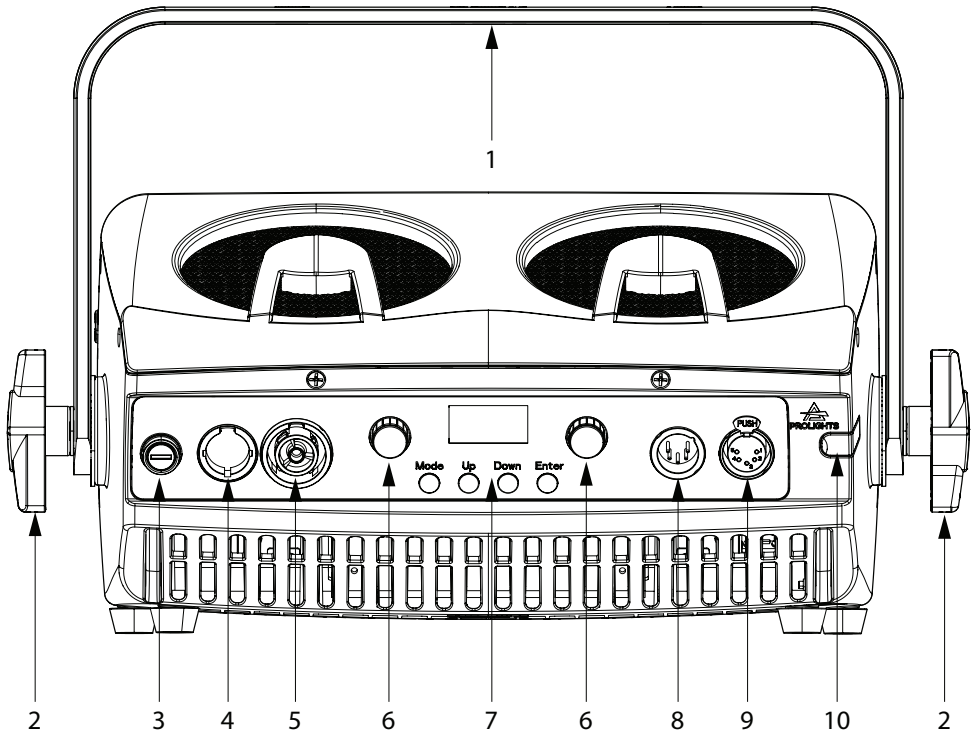


Fig. 03

7 - DMX CONNECTION

CONNECTION OF THE CONTROL SIGNAL: DMX LINE

The product has XLR sockets for DMX input and output.
The default pin-out on both socket is as the following diagram:

DMX - INPUT XLR plug



Pin1 : GND - Shield
Pin2 : - Signal
Pin3 : + Signal
Pin4 : N/C
Pin5 : N/C

DMX - OUTPUT XLR socket

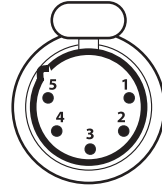


Fig. 04

INSTRUCTIONS FOR A RELIABLE DMX CONNECTION

Use shielded twisted-pair cable designed for RS-485 devices: standard microphone cable cannot transmit control data reliably over long runs. 24 AWG cable is suitable for runs up to 300 meters (1000 ft). Heavier gauge cable and/or an amplifier is recommended for longer runs.
To split the data link into branches, use splitter-amplifiers in the connection line.
Do not overload the link. Up to 32 devices may be connected on a serial link.

CONNECTION DAISY CHAIN

Connect the DMX data output from the DMX source to the product DMX input (male connector XLR) socket.
Run the data link from the product XLR output (female connector XLR) socket to the DMX input of the next fixture.
Terminate the data link by connecting a 120 Ohm signal termination. If a splitter is used, terminate each branch of the link.
Install a DMX termination plug on the last fixture on the link.

CONNECTION OF THE DMX LINE

DMX connection employs standard XLR connectors. Use shielded pair-twisted cables with 120Ω impedance and low capacity.
The following diagram shows the connection mode:

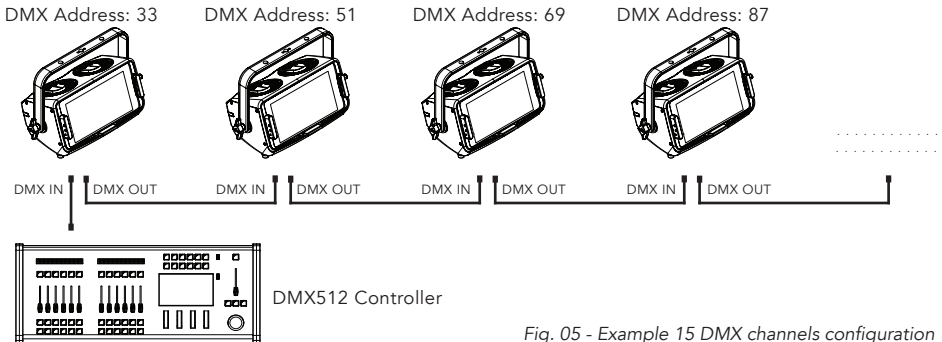


Fig. 05 - Example 15 DMX channels configuration

CONSTRUCTION OF THE DMX TERMINATION

The termination is prepared by soldering a 120Ω 1/4 W resistor between pins 2 and 3 of the male XLR connector, as shown in figure.

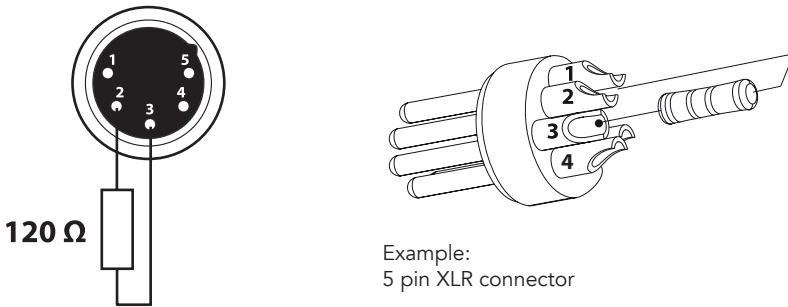


Fig. 06

DMX ADDRESSING

In order to start controlling the product via DMX, the first step is to select a DMX address, also known as the start channel, this is the first channel used to receive instructions from a DMX controller. If you wish to control the product individually, it is necessary to assign a different starting address channel to each fixture.

The number of channels occupied from the product depends on the DMX mode selected, so always verify the DMX Mode in the MENU before start addressing.

If you assign two fixtures the same address, they will be executing the same behaviour. Selecting the same address to multiple fixtures can be useful for diagnostic purposes and symmetrical control.

DMX addressing is limited to make it impossible to set the DMX address so high that you are left without enough control channels for the product.

To set the fixture's DMX address:

1. Press MENU to open the main menu.
2. Reach the addressing menu, then select the DMX ADDRESS settings.
3. Select the address from 1 to 512 using the navigation arrows/buttons and confirm by pressing ENTER.
4. Press Menu to exit and return to the Home screen.

The product DMX address, as well as other possible user settings through the MENU, can also be set when the product is disconnected from the Main through the internal battery-backup. All that is needed is to press and hold the button ENTER to momentarily enable the display and enter in the settings. Once the required operations have been executed, the display will switch off again after few seconds of being inactive.

OPERATION AS A WIRELESS TRANSMITTER

ECLEXPFL300FC can be used as wireless transmitter for transmit at different wireless receivers DMX signal. To use ECLEXPFL300FC as wireless transmitter, please follow the procedure below:

1. Push MENU button until you show CONNECT on display, then press ENTER button to confirm.
2. Use UP/DOWN buttons for select Wireless, then press ENTER to confirm.
3. Push ENTER button on WDMX ON/OFF function and enable it to ON.
4. Select WDMX mode and set it on Transmitter (please note that WDMX mode will be available only if WDMX ON/OFF is set to ON).
5. Ensure that the receiver units are not connected to any other transmitter. Please refer to "Reset the receiver" paragraph.
6. Enable TX LINK to ON to link transmitter to receivers (please note that TX LINK will be available only if WDMX mode is set to Transmitter).

- The transmitter scans for all unlinked receivers for a period of about 5 seconds.
- If the connection fails, check the position of the receiver.
- The wireless icon on the receiver display indicates the received signal strength.

Unlinking the transmitter

Follow the procedure below to unlink the transmitter from all receivers connected with the unit.

1. Push MENU button until you show CONNECT on display, then press ENTER button to confirm.
 2. Use UP/DOWN buttons for select Wireless, then press ENTER to confirm.
 3. Enable TX UNLINK to ON 8 (please note that TX UNLINK will be available only if WDMX mode is set to Transmitter).
- All connected receivers will be unlinked.

DMX TO WDMX (TX)

This function enable or disable the transmission through wireless of the DMX signal from the transmitter side to the receiver.

OPERATION AS A WIRELESS RECEIVER

ECLEXP0FL300FC can be used as wireless receiver connected to a wireless transmitter.

To use ECLEXP0FL300FC as wireless receiver, please follow the procedure below:

1. Push MENU button until you show CONNECT on display, then press ENTER button to confirm.
2. Use UP/DOWN buttons for select Wireless, then press ENTER to confirm.
3. Push ENTER button on WDMX ON/OFF function and enable it to ON.
4. Select WDMX mode and set it on Receiver (please note that WDMX mode will be available only if WDMX ON/OFF is set to ON).
5. Enable RX RESET to ON to reset the receiver (please note that RX RESET will be available only if WDMX mode is set to Receiver).
6. On the transmitter, enable TX LINK to ON to link transmitter to the receivers.
7. If the connection is successful and DMX input is available the display on the receiver unit will show the DMX address. If DMX signal is not available, the display will show "No signal" but keeps the transmitter linked.
8. If the connection fails, check the position of the receiver.
9. The wireless icon on the receiver display indicates the received signal strength.

Reset the receiver

Follow the procedure below to reset the receiver.

1. Push MENU button until you show CONNECT on display, then press ENTER button to confirm.
 2. Use UP/DOWN buttons for select Wireless, then press ENTER to confirm.
 3. Enable RX RESET to ON.
- The wireless icon on the receiver display indicates the received signal strength.

WDMX TO DMX (RX)

This function enable or disable the retransmission of the wireless DMX signal received through the DMX port on the receiver side.

8 - CONTROL PANEL

The product has a display and buttons for access to the control panel functions.

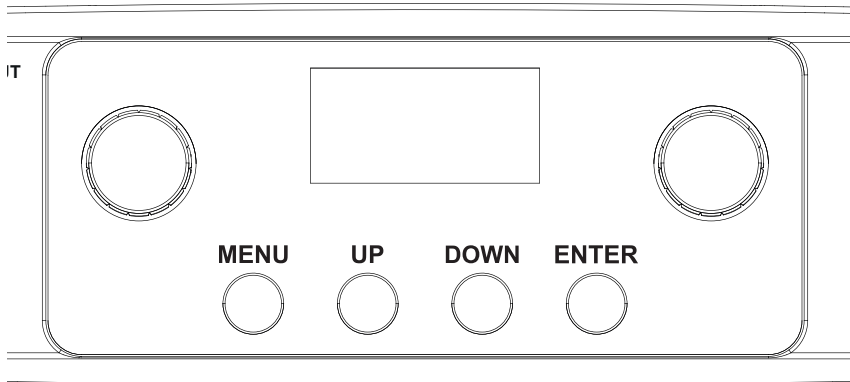


Fig. 07

DISPLAY AND BUTTONS LAYOUT

- The product has a display and buttons for access to the control panel functions.
- MENU: Used to access the menu tree or to return a previous menu window.
- UP: Browse upwards through the menu list and increases the numeric value displayed.
- DOWN: Browse downwards through the menu list and decreases the numeric value displayed.
- ENTER: Used to confirm the current menu or confirm the current function value or option within a menu.

ROTATORY KNOB LAYOUT

The product is equipped with rotatory knobs for manual control of the product, those are enabled only in Stand Alone mode and they enable access to control certain attributes according to the selected STAND ALONE mode as indicated below.

9 - MENU STRUCTURE

The following chart describes the MENU tree of the product, the terms shown in **BOLD** indicates the default settings.

1	CONNECT	DMX ADDRESS	1-512			Set address used for Fixture.	
		DMX MODE	UNO	WHITE PRESETS	2700K		Set DMX chart for Main Fixture.
					2800K		
					3200K		
					3500K		
					4000K		
					4500K		
					5000K		
					5600K		
					6000K		
					6500K		
					7000K		
					8000K		
					9000K		
					10000K		
					COLOR MACROS	SEE TABLE OF COLOR MACRO	
			MANUAL COLORS	RED	<0-255>		
				GREEN	<0-255>		
				BLUE	<0-255>		
				WHITE	<0-255>		
			DUO	WHITE PRESETS	2700K		
					2800K		
					3200K		
					3500K		
					4000K		
					4500K		
					5000K		
					5600K		
		6000K					
		6500K					
		7000K					
		8000K					
		9000K					
10000K							
COLOR MACROS	SEE TABLE OF COLOR MACRO						
MANUAL COLORS	RED	<0-255>					
	GREEN	<0-255>					
	BLUE	<0-255>					
	WHITE	<0-255>					
BASIC							
BASIC 16BIT							
STANDARD							
EXTENDED							
ADVANCED							
2	SETUP	SCREEN	BACKLIGHT	ON		Allows you to select the timing after that display will switch automatically off when unactive.	
				10S			
				20S			
				30S			
			FLIP DISPLAY	NO		Allows you to rotate the display by 180°.	
			YES				

			KEY LOCK	NO			Allows you lock the buttons on the control panel by a password. Press following combinations (password) in order to access to the user menu : UP, DOWN, UP, DOWN, ENTER,
				YES			
			TEMPERATURE UNIT	°C			To choose the desired unit of temperature measurement.
				°F			
		TRANSFER CONFIGURATION	WITHOUT DMX ADDRESS				To transfer the same menu settings of one fixtures to all the other in the daisy chain, including or not the dmx address.
			WITH DMX ADDRESS				
3	ADVANCED	DIMMER CURVE	LINEAR				To choose the dimmer curve.
			S-CURVE				
			SQUARE LAW				
			INVERSE SQUARE LAW				
		DIMMER SPEED	AUTO				To choose the dimmer curve.
			FAST				
			MEDIUM				
			SLOW				
		SPEKTRA CALIBRATION	ON				To enable/disable Spektra Calibration.
			PURE COLORS				
			OFF				
		LED MODE	HIGH QUALITY	Target CRI >93			Set led operating mode.
HIGH BRIGHTNESS	Target CRI >85 / 80						
LED FREQUENCY	600HZ				Select PWM frequency.		
	1200HZ						
	2000HZ						
	4000HZ						
	6000HZ						
	25KHZ						
DMX FAULT	BLACKOUT				To choose the behaviour of fixture in case of dmx signal lost.		
	HOLD						
	STAND ALONE						
FAN MODE	AUTO				Select the product Fan mode.		
	HIGH						
	SILENT						
	OFF						
TUNGSTEN EMULATION	ON				To enable/disable Tungsten Emulation.		
	OFF						
OUTPUT CONTROL	CONSTANT				Output power will be reduced instantly in order to keep output constant.		
	DYNAMIC						
FACTORY RELOAD	YES				To reset the unit to factory default settings.		
	NO						
4	INFORMATION	INFORMATIONS	DEVICE TIME	FIXTURE HOURS	TOTAL	(ONLY READ)	To check the total working hours of the unit.
					PARTIAL	(READ AND RESET)	
				CURRENT HOURS	TOTAL	(ONLY READ)	To check the current working hours of the unit.
			PARTIAL		(READ AND RESET)		
			SOURCE HOURS	TOTAL	(ONLY READ)	To see the total operating hours of the LED source.	
				PARTIAL	(READ AND RESET)		

				POWER ON CYCLE	TOTAL PARTIAL	(ONLY READ) (READ AND RESET)	To see the power cycles of the machine.	
				MAINTENANCE TIME		ELAPSED TIME	To choose and reset unit maintenance warning hours.	
						ALERT PERIOD (10-300)		
				POWER CONSUMPTION			To see the power consumption.	
				TEMPERATURE	NEAR SOURCE TEMP, DRIVER PCB TEMP, LED PCB TEMP,...		To see the unit temperature.	
				FAN SPEED			To see the speed of the fans.	
				CHANNEL VALUE			To see the dmx value of those channels.	
				ERROR MESSAGE			To see any error messages.	
				FIXTURE MODEL			View informations about fixture model.	
				DEVICE INFO			To see device info.	
				DEVICE LABEL			To see device label.	
				SOFTWARE VERSION			View informations about software version.	
				RDM UID			View ID for the RDM control.	
5	STAND ALONE	MASTER/SLAVE	MASTER DMX				Allow you to link and operating in synk multiple units without a DMX console. Choose a unit to perform as the Master. This unit must be the first unit in line; Set the successive units to be slave.	
			MASTER NO DMX					
			SLAVE					
		EFFECTS	EFFECT 1 - 5	DIMMER	<1-100>			Effects modes allows creation and editing of 5 effects maximum. Each effect contains up to 20 colors, a Main Dimmer and a Main Strobe. COLOR section: SWITCH is used to toggle On/Off the color in the sequence. Default OFF, as soon as any of listed parameter is modified automatically turn it ON. DIMMER is used to individually DIM the selected color. Individual Dimmer of selected color, Default 255. STROBE is used to individually STROBE the selected color. Individual Strobe of selected color, Default 255. HOLD TIME defines how long the color is hold on the output. FADE IN/OUT TIME defines the timings of fading in/out. When FADE OUT TIME is not 0, Fade to black will be automatically activated... When FADE OUT TIME is 0, fade to black will be disactivated automatically... The effects can be considered as CHASE, once last color has finished playing the sequence will start again
	STROBE			<1-100>				
	COLOR 1			SWITCH	ON OFF			
				DIMMER				
	STROBE							
	HOLD TIME			0 - 360s (Step by 0.5s)				
	FADE IN TIME			0 - 60s (Step by 0.5s)				
FADE OUT TIME	0 - 60s (Step by 0.5s)							

				COLOR MACRO	Show list of STATIC mode	List of Color Macro like per Static Mode.
				WHITE PRESETS	Show list of STATIC mode	List of White Presets like per Static Mode.
				MANUAL COLORS	Show list of STATIC mode	List of Manual Colors like per Static Mode.
				
			COLOR 20	SWITCH	ON OFF	
				DIMMER		
				STROBE		
				HOLD TIME	0 - 360s (Step by 0.5s)	
				FADE IN TIME	0 - 60s (Step by 0.5s)	
				FADE OUT TIME	0 - 60s (Step by 0.5s)	
				COLOR MACRO	Show list of STATIC mode	
				WHITE PRESETS	Show list of STATIC mode	
				MANUAL COLORS	Show list of STATIC mode	
	CCT	CCT 2800/10000				
	FIXED COLORS	R	DIMMER <000-255>			Available also using knobs DIM / COLOR.
		G				
		B				
		W				
		RG				
		RB				
		RW				
		GB				
		GW				
		BW				
		RGB				
		RGW				
		RBW				
		GBW				
	RGBW					
	COLOR MACRO	SEE COLOR MACRO PAGE	DIMMER <000-255>			Available also using knobs DIM / GEL.
	WHITE PRESETS	2700K				Available also using knobs DIM / W.PRS.
		2800K				
		3200K				
		3500K				
		4000K				
		4500K				
		5000K				
		5600K				
		6000K				
		6500K				
		7000K				
		8000K				
		9000K				
	10000K					
	MANUAL COLORS	RED	<000-255>			Available also using knobs RED / GREEN / BLUE / WHITE ; ENTER button to switch parameters.
		GREEN	<000-255>			
		BLUE	<000-255>			
		WHITE	<000-255>			

10 - RDM FUNCTIONS

The product can communicate using RDM (Remote Device Management) protocol over a DMX512 Networks.

RDM is a bi-directional communications protocol for use in DMX512 control systems, it is the open standard for DMX512 device configuration and status monitoring.

The RDM protocol allows data packets to be inserted into a DMX512 data stream without affecting existing non-RDM equipment. It allows a console or dedicated RDM controller to send commands to and receive messages from specific fixtures.

The PIDs in the following tables are supported in the product.

RDM.Model.ID: 0xD127.

Parameter	Category	PID Address	GET	SET	Value	Description	Default Value
DEVICE_INFO	Product Information	0x0060	x				
PRODUCT_DETAIL_ID_LIST	Product Information	0x0070	x				
DEVICE_MODEL_DESCRIPTION	Product Information	0x0080	x				
MANUFACTURER_LABEL	Product Information	0x0081	x				
DEVICE_LABEL	Product Information	0x0082	x	x			
FACTORY_DEFAULTS	Product Information	0x0090	x	x			
SOFTWARE_VERSION_LABEL	Product Information	0x00C0	x				
BOOT_SOFTWARE_VERSION_ID	Product Information	0x00C1	x				
BOOT_SOFTWARE_VERSION_LABEL	Product Information	0x00C2	x				
DMX_PERSONALITY	DMX512 Setup	0x00E0	x	x			
DMX_PERSONALITY_DESCRIPTION	DMX512 Setup	0x00E1	x				
DMX_START_ADDRESS	DMX512 Setup	0x00F0	x	x			
SLOT_INFO	DMX512 Setup	0x0120	x				
SLOT_DESCRIPTION	DMX512 Setup	0x0121	x				
DEFAULT_SLOT_VALUE	DMX512 Setup	0x0122	x				
DMX_BLOCK_ADDRESS	DMX512 Setup	0x0140	x	x			
DMX_FAIL_MODE	DMX512 Setup	0x0141	x	x			
DMX_STARTUP_MODE	DMX512 Setup	0x0142	x	x			

Parameter	Category	PID Address	GET	SET	Value	Description	Default Value
DIMMER_INFO	Dimmer Settings	0x0340	x				
MINIMUM_LEVEL	Dimmer Settings	0x0341	x	x			
MAXIMUM_LEVEL	Dimmer Settings	0x0342	x	x			
CURVE	Dimmer Settings	0x0343	x	x			
CURVE_DESCRIPTION	Dimmer Settings	0x0344	x	x			
OUTPUT_RESPONSE_TIME	Dimmer Settings	0x0345	x	x			
OUTPUT_RESPONSE_TIME_DESCRIPTION	Dimmer Settings	0x0346	x				
MODULATION_FREQUENCY	Dimmer Settings	0x0347	x	x			
MODULATION_FREQUENCY_DESCRIPTION	Dimmer Settings	0x0348	x				
SENSOR_DEFINITION	Sensors	0x0200	x				
SENSOR_VALUE	Sensors	0x0201	x	x			
RECORD_SENSORS	Sensors	0x0202		x			
BURN_IN	Sensors	0x0440	x	x			
DEVICE_HOURS	Power/Lamp Settings	0x0400	x	x			
LAMP_HOURS	Power/Lamp Settings	0x0401	x	x			
LAMP_STRIKES	Power/Lamp Settings	0x0402	x	x			
LAMP_STATE	Power/Lamp Settings	0x0403	x	x			
LAMP_ON_MODE	Power/Lamp Settings	0x0404	x	x			
DEVICE_POWER_CYCLES	Power/Lamp Settings	0x0405	x	x			
DISPLAY_INVERT	Display Settings	0x0500	x	x			
DISPLAY_LEVEL	Display Settings	0x0501	x	x			
LOCK_PIN	Configuration	0x0640	x	x			
LOCK_STATE	Configuration	0x0641	x	x			
LOCK_STATE_DESCRIPTION	Configuration	0x0642	x				

Parameter	Category	PID Address	GET	SET	Value	Description	Default Value
IDENTIFY_DEVICE	Control	0x1000	x	x			
RESET_DEVICE	Control	0x1001		x			
POWER_STATE	Control	0x1010	x	x			
PERFORM_SELFTEST	Control	0x1020	x	x			
SELF_TEST_DESCRIPTION	Control	0x1021	x				
CAPTURE_PRESET	Control	0x1030	x	x			
PRESET_PLAYBACK	Control	0x1031	x	x			
IDENTIFY_MODE	Control	0x1040	x	x			
PRESET_INFO	Control	0x1041	x				
PRESET_STATUS	Control	0x1042	x	x			
POWER_ON_SELF_TEST	Control	0x1044	x	x			
DMX FAULT	Manufacturer PIDs	TBD	x	x	0-3	0: HOLD 1: BLACKOUT 2:STAND ALONE 3:EMERGENCY	2
MASTER/SLAVE	Manufacturer PIDs	TBD	x	x	0-2	0:MASTER DMX 1:MASTER NO DMX 2: SLAVE	2
ST. AL. MODE	Manufacturer PIDs	TBD	x	x	0-4	0:Stand Alone EF-FECTS 1:Stand Alone FIXED COLOR 2:STAND ALONE WHITE PRESETS 3:STAND ALONE COLOR MACROS 4:STANDALONE MANUAL COLORS	2
EFFECTS	Manufacturer PIDs	TBD	x	x	1-5		5
EFFECTS SPEED	Manufacturer PIDs	TBD	x	x	1-100		100
FIXED COLOR	Manufacturer PIDs	TBD	x	x	0-14		14
WHITE PRESETS	Manufacturer PIDs	TBD	x	x	0-16		2
COLOR MACROS	Manufacturer PIDs	TBD	x	x	0-66		0
MANUAL RED	Manufacturer PIDs	TBD	x	x	0-255		255
MANUAL GREEN	Manufacturer PIDs	TBD	x	x	0-255		255
MANUAL BLUE	Manufacturer PIDs	TBD	x	x	0-255		255
MANUAL WHITE	Manufacturer PIDs	TBD	x	x	0-255		255
SPEKTRA	Manufacturer PIDs	TBD	x	x	0 - 2	0: ON 1: PURE COLORS 2: OFF	1

Parameter	Category	PID Address	GET	SET	Value	Description	Default Value
LED MODE	Manufacturer PIDs	TBD	x	x	0-1	0: HIGH QUALITY 1:HIGH BRIGHTNESS	1
TUNGSTEN EMULATION	Manufacturer PIDs	TBD	x	x	0-1	0: OFF 1: ON	
OUTPUT CONTROL	Manufacturer PIDs	TBD	x	x	0-1	0:CONSTANT OUTPUT 1:DYNAMIC OUTPUT	1
CURRENT HOURS	Manufacturer PIDs	TBD	x	x		0-65535	0
POWER CONSUMPTION(AC 220V)	Manufacturer PIDs	TBD	x				
MAINTENANCE TIME:A-ALERT PERIOD	Manufacturer PIDs	TBD	x	x	10-300		300
MAINTENANCE TIME:E-ELAPSED TIME	Manufacturer PIDs	TBD	x	x	0-ALERT PERIOD		0
ERROR MESSAGES	Manufacturer PIDs	TBD	x		0-5	1 - LED ERROR 2 - LED TEMPERATURE ERROR 3 - LED TEMP. SENSOR ERROR 4 - DRV ERROR 5 - CALIBRATION ERROR	0
CLEAN ALL DATA	Manufacturer PIDs	TBD	x	x	0-1	0:NO,1:YES	0

11 - SHORTCUTS

Keys	Mode	Description
MENU + ENTER then power on	Clear All	Clear all value of functions + factory default
UP + DOWN after power on	Flip Display	Directly flip display without enter inside menu
MENU + ENTER while on Home Screen	Home Screen / StandAlone	Lock on / Lock off

12 - ERROR MESSAGES

ERROR SHOWED	POSSIBLE CAUSES
[LED TEMPERATURE SENSOR ERROR]	LED temperture sensor damaged (open or in short circuit)
[TEMPERATURE TOO HIGH]	This error message indicates that an overheating has occurred and the led has been switched OFF by the product protection system.
[MAINTENANCE TIME]	Need to be done standard maintenance and also reset of elapsed time
[DMX ACTIVE]	Transfer configuration is used with dmx signal connected

13 - DMX CHARTS

RDM Model ID: 0xD127

RDM Personality ID List

ID	NAME	FOOTPRINT
1	UNO	1CH
2	DUO	2CH
3	BASIC	5CH
5	BASIC 16BIT	10CH
6	STANDARD	9CH
7	EXTENDED	12CH
8	ADVANCED	18CH

PARAMETER	MODE						
	UNO	DUO	BASIC	BASIC 16BIT	STANDARD	EXTENDED	ADVANCED
DIMMER	1	1	1	1	1	1	1
DIMMER FINE		2		2	2	2	2
CCT						3	3
CCT FINE							4
TINT						4	5
CROSSFADE						5	6
RED			2	3	3	6	7
RED FINE				4			8
GREEN			3	5	4	7	9
GREEN FINE				6			10
BLUE			4	7	5	8	11
BLUE FINE				8			12
WHITE			5	9	6	9	13
WHITE FINE				10			14
COLOR MACRO					7	10	15
CTO ON COLORS							16
STROBE					8	11	17
CONTROL					9	12	18

Dimmer

Function	8 bit value		16 bit value		Note
	From	To	From	To	
Dimmer	0	255	0	65535	Default @ 0

Strobe

Function	8 bit value		16 bit value		Note
	From	To	From	To	
Open	0	1	-	-	Default @ 255
Strobe from Slow to Fast	2	62	-	-	
Open	63	64	-	-	
Pulse In from slow to fast	65	125	-	-	
Close	126	127	-	-	
Pulse Out from slow to fast	128	188	-	-	
Open	189	190	-	-	
Random from slow to fast	191	251	-	-	
Open	252	255	-	-	

CCT

Function	CCT From	CCT To	8 bit value		16 bit value		Note
			From	To	From	To	
	2800	2900	0	4	0	910	Default @ 0
	2900	3000	4	7	910	1820	
	3000	3100	7	11	1820	2731	
	3100	3200	11	14	2731	3641	
	3200	3300	14	18	3641	4551	
	3300	3400	18	21	4551	5461	
	3400	3500	21	25	5461	6371	
	3500	3600	25	28	6371	7282	
	3600	3700	28	32	7282	8192	
	3700	3800	32	35	8192	9102	
	3800	3900	35	39	9102	10012	
	3900	4000	39	43	10012	10923	
	4000	4100	43	46	10923	11833	
	4100	4200	46	50	11833	12743	
	4200	4300	50	53	12743	13653	
	4300	4400	53	57	13653	14563	
	4400	4500	57	60	14563	15474	
	4500	4600	60	64	15474	16384	
	4600	4700	64	67	16384	17294	
	4700	4800	67	71	17294	18204	
	4800	4900	71	74	18204	19114	
	4900	5000	74	78	19114	20025	
	5000	5100	78	81	20025	20935	
	5100	5200	81	85	20935	21845	
	5200	5300	85	89	21845	22755	
	5300	5400	89	92	22755	23665	
	5400	5500	92	96	23665	24576	

CCT

Function		8 bit value		16 bit value		Note
CCT From	CCT To	From	To	From	To	
5500	5600	96	99	24576	25486	
5600	5700	99	103	25486	26396	
5700	5800	103	106	26396	27306	
5800	5900	106	110	27306	28216	
5900	6000	110	113	28216	29127	
6000	6100	113	117	29127	30037	
6100	6200	117	120	30037	30947	
6200	6300	120	124	30947	31857	
6300	6400	124	128	31857	32768	
6400	6500	128	131	32768	33678	
6500	6600	131	135	33678	34588	
6600	6700	135	138	34588	35498	
6700	6800	138	142	35498	36408	
6800	6900	142	145	36408	37319	
6900	7000	145	149	37319	38229	
7000	7100	149	152	38229	39139	
7100	7200	152	156	39139	40049	
7200	7300	156	159	40049	40959	
7300	7400	159	163	40959	41870	
7400	7500	163	166	41870	42780	
7500	7600	166	170	42780	43690	
7600	7700	170	174	43690	44600	
7700	7800	174	177	44600	45510	
7800	7900	177	181	45510	46421	
7900	8000	181	184	46421	47331	
8000	8100	184	188	47331	48241	
8100	8200	188	191	48241	49151	
8200	8300	191	195	49151	50061	
8300	8400	195	198	50061	50972	
8400	8500	198	202	50972	51882	
8500	8600	202	205	51882	52792	
8600	8700	205	209	52792	53702	
8700	8800	209	213	53702	54613	
8800	8900	213	216	54613	55523	
8900	9000	216	220	55523	56433	
9000	9100	220	223	56433	57343	
9100	9200	223	227	57343	58253	
9200	9300	227	230	58253	59164	
9300	9400	230	234	59164	60074	
9400	9500	234	237	60074	60984	
9500	9600	237	241	60984	61894	
9600	9700	241	244	61894	62804	
9700	9800	244	248	62804	63715	
9800	9900	248	251	63715	64625	
9900	10000	251	255	64625	65535	

Tint

Function	8 bit value		16 bit value		Note
	From	To	From	To	
-25% to 0	0	127	-	-	Default @ 128
Neutral	128	128	-	-	Linear tint correction from -0.25 to +0.25
0 to 25%	129	255	-	-	

Crossfade from CCT to Color

Function	8 bit value		16 bit value		Note
	From	To	From	To	
Linear Crossfade	0	255	0	65535	Default @ 255 / 65535

Red

Function	8 bit value		16 bit value		Note
	From	To	From	To	
0 - 100%	0	255	0	65535	Default @ 255 / 65535

Green

Function	8 bit value		16 bit value		Note
	From	To	From	To	
0 - 100%	0	255	0	65535	Default @ 255 / 65535

Blue

Function	8 bit value		16 bit value		Note
	From	To	From	To	
0 - 100%	0	255	0	65535	Default @ 255 / 65535

White

Function	8 bit value		16 bit value		Note
	From	To	From	To	
0 - 100%	0	255	0	65535	Default @ 255 / 65535

Color Macro

Function	8 bit value		16 bit value		Note
	From	To	From	To	
No Function	0	1	-	-	Default @ 0
Red	2	3	-	-	
Green	4	5	-	-	
Blue	6	7	-	-	
Cyan	8	9	-	-	
Magenta	10	11	-	-	
Yellow	12	13	-	-	
Dirty White	14	15	-	-	
Alice Bllue	16	17	-	-	
Congo Blue	18	19	-	-	
Dark Steel Blue	20	21	-	-	
Deep Laven-der	22	23	-	-	
Lilac Ting	24	25	-	-	
Daylight Blue	26	27	-	-	
Flame Red	28	29	-	-	
Bastard Amber	30	31	-	-	
Deep Orange	32	33	-	-	
Pale Gold	34	35	-	-	
Apricot	36	37	-	-	
Bright Blue	38	39	-	-	
Primary Green	40	41	-	-	
Special Laven-der	42	43	-	-	
Pale Lavender	44	45	-	-	
Deep Golden Amber	46	47	-	-	
Medium Blue	48	49	-	-	
Bright Pink	50	51	-	-	
Mauve	52	53	-	-	
Dark Green	54	55	-	-	
Lee Green	56	57	-	-	
Dark Blue	58	59	-	-	
Light Blue	60	61	-	-	
Steel Blue	62	63	-	-	
Medium Blue-Green	64	65	-	-	
Peacock Blue	66	67	-	-	
Magenta	68	69	-	-	
Dark Pink	70	71	-	-	
Middle Rose	72	73	-	-	
Light Salmon	74	75	-	-	
English Rose	76	77	-	-	
Light Rose	78	79	-	-	
Orange	80	81	-	-	
Deep Amber	82	83	-	-	

Color Macro

Function	8 bit value		16 bit value		Note
	From	To	From	To	
Straw	84	85	-	-	
Light Amber	86	87	-	-	
Spring Yellow	88	89	-	-	
Dark Yellow Green	90	91	-	-	
Just Blue	92	93	-	-	
Sky Blue	94	95	-	-	
Lavender	96	97	-	-	
Light Lavender	98	99	-	-	
Pink Carnation	100	101	-	-	
Medium Pink	102	103	-	-	
Light Pink	104	105	-	-	
Sunset Red	106	107	-	-	
Dark Amber	108	109	-	-	
Gold Amber	110	111	-	-	
Medium Amber	112	113	-	-	
Fire	114	115	-	-	
Surprise Peach	116	117	-	-	
Straw Tint	118	119	-	-	
Medium Yellow	120	121	-	-	
Lee Minus Green	122	123	-	-	
Pale Gold	124	125	-	-	
Orange	126	127	-	-	
Deep Straw	128	129	-	-	
Rose Purple	130	131	-	-	
Deep Purple	132	133	-	-	
Soft Green	134	135	-	-	
Reserved for future use	136	209	-	-	
2700K	210	211	-	-	
2800K	212	213	-	-	
3000K	214	215	-	-	
3200K	216	217	-	-	
3400K	218	219	-	-	
3600K	220	221	-	-	
3800K	222	223	-	-	
4000K	224	225	-	-	
4200K	226	227	-	-	
4400K	228	229	-	-	
4600K	230	231	-	-	
4800K	232	233	-	-	
5000K	234	235	-	-	
5200K	236	237	-	-	
5400K	238	239	-	-	

Color Macro

Function	8 bit value		16 bit value		Note
	From	To	From	To	
5600K	240	241	-	-	
6000K	242	243	-	-	
6500K	244	245	-	-	
7000K	246	247	-	-	
8000K	248	249	-	-	
9000K	250	251	-	-	
10000K	252	253	-	-	
FULL ON	254	255	-	-	

CTO On Colors

Function	8 bit value		16 bit value		Note
	From	To	From	To	
0 - 100%	0	255	-	-	Default @ 0

Control Channel

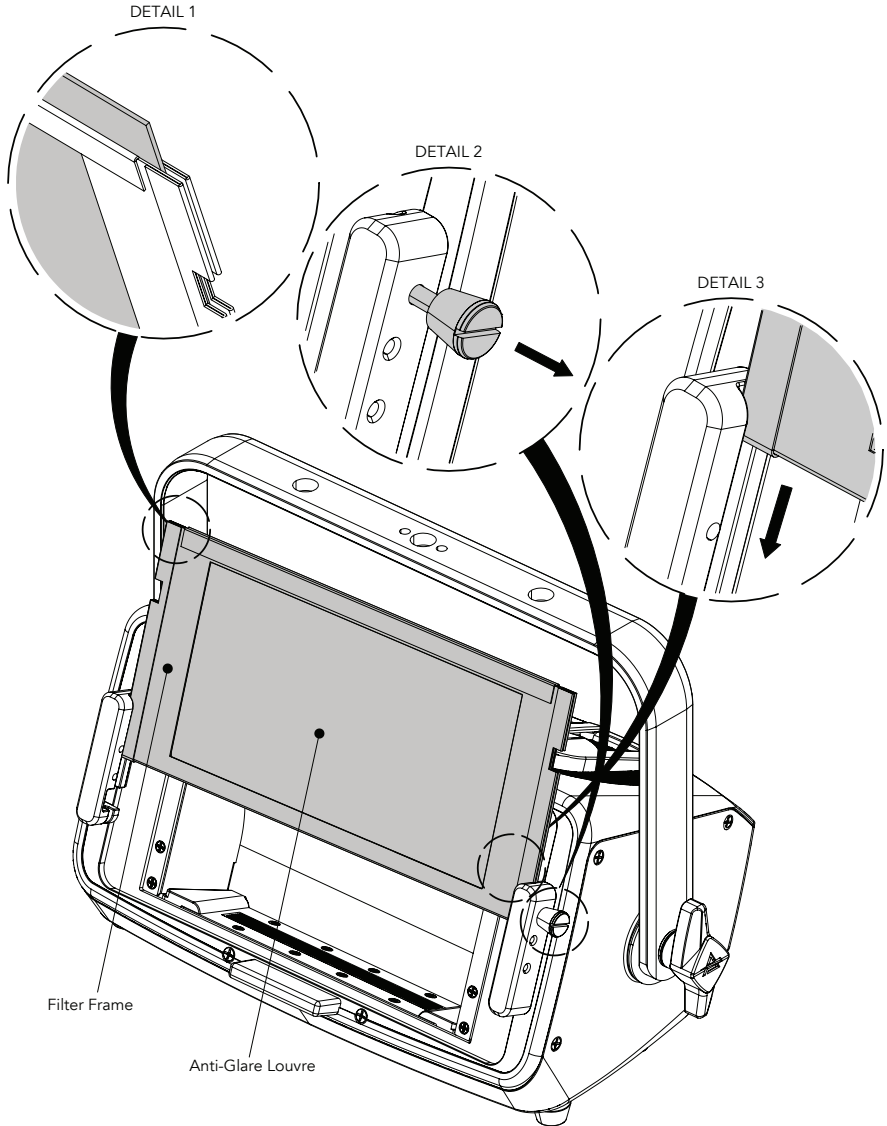
Function	8 bit value		16 bit value		Note
	From	To	From	To	
No Functon	0	1	-	-	Default @ 0
DISPLAY ON	2	3	-	-	Hold 3s to take function
DISPLAY 10S	4	5	-	-	
DISPLAY 20S	6	7	-	-	
DISPLAY 30S	8	9	-	-	
FLIP DISPLAY ON	10	11	-	-	
FLIP DISPLAY OFF	12	13	-	-	
KEY LOCK ON	14	15	-	-	
KEY LOCK OFF	16	17	-	-	
DIMMER CURVE LINEAR	18	19	-	-	
DIMMER CURVE S-CURVE	20	21	-	-	
DIMMER CURVE SQUARE LAW	22	23	-	-	
DIMMER CURVE INVERSE SQUARE LAW	24	25	-	-	
DIMMER SPEED AUTO	26	27	-	-	
DIMMER SPEED FAST	28	29	-	-	
DIMMER SPEED MEDIUM	30	31	-	-	
DIMMER SPEED SLOW	32	33	-	-	
SPEKTRA CALIBRATION ON	34	35	-	-	
SPEKTRA CALIBRATION PURE COLORS	36	37	-	-	
SPEKTRA CALIBRATION OFF	38	39	-	-	
LED MODE HIGH QUALITY	40	41	-	-	
LED MODE HIGH BRIGHTNESS	42	43	-	-	
LED FREQUENCY 600HZ	44	45	-	-	
LED FREQUENCY 1200HZ	46	47	-	-	
LED FREQUENCY 2000HZ	48	49	-	-	
LED FREQUENCY 4000HZ	50	51	-	-	

Control Channel

Function	8 bit value		16 bit value		Note
	From	To	From	To	
LED FREQUENCY 6000HZ	52	53	-	-	
LED FREQUENCY 25KHZ	54	55	-	-	
LED FREQUENCY 36KHZ	56	57	-	-	
LED FREQUENCY 40KHZ	58	59	-	-	
DMX FAULT HOLD	60	61	-	-	
DMX FAULT BLACKOUT	62	63	-	-	
DMX FAULT STAND ALONE	64	65	-	-	
DMX FAULT EMERGENCY	66	67	-	-	
FAN MODE AUTO	68	69	-	-	
FAN MODE HIGH	70	71	-	-	
FAN MODE SILENT	72	73	-	-	
FAN MODE OFF	74	75	-	-	
TUNGSTEN EMULATION ON	76	77	-	-	
TUNGSTEN EMULATION OFF	78	79	-	-	
OUTPUT CONTROL CONSTANT	80	81	-	-	
OUTPUT CONTROL DYNAMIC	82	83	-	-	
STAND ALONE MASTER DMX	84	85	-	-	
STAND ALONE MASTER NO DMX	86	87	-	-	
STAND ALONE SLAVE	88	89	-	-	
STAND ALONE EFFECTS	90	91	-	-	
STAND ALONE FIXED COLORS	92	93	-	-	
STAND ALONE CCT	94	95	-	-	
STAND ALONE WHITE PRESETS	96	97	-	-	
STAND ALONE COLOR MACROS	98	99	-	-	
STAND ALONE MANUAL COLORS	100	101	-	-	
Reserved	102	249	-	-	
Reset all channel controlled	250	251	-	-	
Reserved	252	255	-	-	

14 - ACCESSORIES INSTALLATION

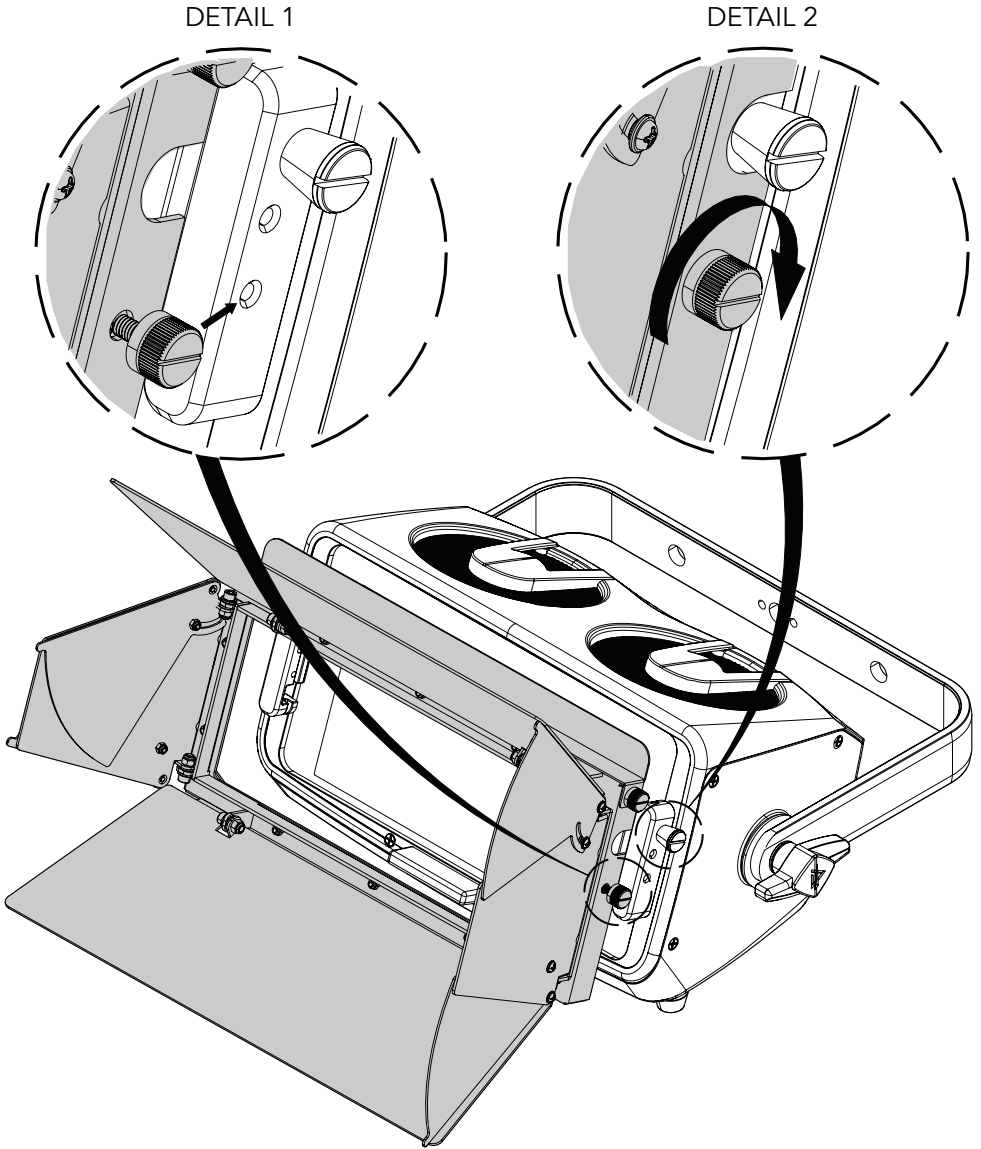
ANTI-GLARE LOUVRE (CODE ECLEXPFL300FCLVB/W - OPTIONAL)
FILTER FRAME (CODE ECLEXPFL300FCFFB/W - OPTIONAL)



Insert the anti-glare louvre into the slot (DETAIL 1). Pull the knob out (DETAIL 2) and insert the accessory filter frame from the top into the guide on the hardware of the unit (DETAIL 3). Then release the knob (DETAIL 3).

NOTE: To remove the accessory, reverse the procedure.

Fig. 08



Unscrew the knob of the barndoor accessory (DETAIL 1). Then mount the barndoor by screwing the knob with the hole on the unit hardware (DETAIL 2).

NOTE: To remove the accessory, reverse the procedure.

Fig. 09

15 - MAINTENANCE

MAINTENANCE AND CLEANING THE PRODUCT

WARNING: Disconnect from the mains before starting any maintenance work

It is recommended to clean the front at regular intervals, from impurities caused by dust, smoke, or other particles to ensure that the light is radiated at maximum brightness.

- For cleaning, disconnect the main plug from the socket. Use a soft, clean cloth moistened with a mild detergent. Then carefully wipe the part dry. For cleaning other housing parts use only a soft, clean cloth. Never use a liquid, it might penetrate the unit and cause damage to it.
- The user must clean the product periodically to maintain optimum performance and cooling. The user may also upload firmware (product software) to the fixture via the DMX signal input port or USB port using firmware and instructions from PROLIGHTS.
- The frequency of such maintenance operations is to be performed according to various factors, such as the amount of the use and the condition of the installation environment (air humidity, presence of dust, salinity, etc.). It is recommended that the product is subject to annual service by a qualified technician for special maintenance involving at least the following procedures:
- General cleaning of internal parts.
- Restoring lubrication of all parts subject to friction, using lubricants specifically supplied by PROLIGHTS.
- General visual check of the internal components, cabling, mechanical parts, etc.
- Electrical, photometric and functional checks; eventual repairs.
- Cleaning the lenses. Only use neutral soap and water to clean the lenses, then dry it carefully with a soft, non-abrasive cloth.

WARNING: the use of alcohol or any other detergent could damage the lenses.

- All other service operations on the product must be carried out by PROLIGHTS, its approved service agents or trained and qualified personnel.
- It is PROLIGHTS policy to apply the strictest possible calibration procedures and use the best quality materials available to ensure optimum performance and the longest possible component lifetimes. However, optical components are subject to wear and tear over the life of the product, resulting in gradual changes in colours over many thousands of hours of use. The extent of wear and tear depends heavily on operating conditions and environment, so it is impossible to specify precisely whether and to what extent performance will be affected. However, you may eventually need to replace optical components if their characteristics are affected by wear and tear after an extended period of use and if you require fixtures to perform within very precise optical and colour parameters.
- Do not apply filters, lenses or other materials on lenses or other optical components. Use only accessories approved by PROLIGHTS.

REPLACING THE FUSE

WARNING: Before replacing the fuse, unplug the product from the mains.

- Remove the old fuse from the housing with a suitable screwdriver (anticlockwise) and replace it with one of the same type and of the same classification (T5A 250V).


VISUAL CHECK OF PRODUCT HOUSING

- The parts of the product cover/housing should be checked for eventual damages and breaking start at least every two months. In addition, especially the parts of the front lens holder have to be checked mechanically (by means of movement by the part) if it is firmly fastened to the fixture. If hint of a crack is found on some plastic part, do not use the product until the damaged part will be replaced.
- Cracks or another damages of the cover/housing parts can be caused by the product transportation or manipulation and also ageing process may influence materials.
- This checking is necessary for both fixed installations and preparing product for renting. Any free moving parts inside of the product, cracked cover/housing or any part of front lens not sitting properly in place need to be immediately replaced.

TROUBLESHOOTING

Problems	Possible causes	Checks and remedies
Product doesn't power ON	<ul style="list-style-type: none"> No power to the product. 	<ul style="list-style-type: none"> Check that power is switched ON and cables are plugged in.
	<ul style="list-style-type: none"> Fuse blown or internal fault. 	<ul style="list-style-type: none"> Check if the Fuse is intact and eventually replace it if necessary. Contact the PROLIGHTS Service or authorized service partner. Do not remove parts and/or covers, or carry out any repairs or service that are not described in this Safety and User Manual unless you have both authorization from PROLIGHTS and the service documentation.
Product reset correctly but does not respond correctly to the controller.	<ul style="list-style-type: none"> Bad signal connection. 	<ul style="list-style-type: none"> Inspect connections and cables. Fix eventual bad connections. Repair or replace damaged cables.
	<ul style="list-style-type: none"> Signal connection not terminated. 	<ul style="list-style-type: none"> Insert DMX termination plug in signal output socket of the last product on the signal line.
	<ul style="list-style-type: none"> Incorrect addressing of the product. 	<ul style="list-style-type: none"> Check the product address and control settings.
	<ul style="list-style-type: none"> One of the product is defective and is corrupting the signal transmission on the signal line. 	<ul style="list-style-type: none"> Unplug the XLR in and out connectors and connect them directly together to bypass one product at a time until normal operation is regained. Once found the error, have that fixture serviced by a qualified technician.
Timeout error after fixture reset.	<ul style="list-style-type: none"> One or more hardware components requires mechanical adjustments. 	<ul style="list-style-type: none"> Check product stored error messages for more information. Contact PROLIGHTS Service or an authorized service partner.
Mechanical effect loses position	<ul style="list-style-type: none"> Mechanical hardware require cleaning, adjustment or lubrication. 	<ul style="list-style-type: none"> Check product stored error messages for more information. Contact PROLIGHTS Service or an authorized service partner.
Light output turn OFF Intermittently	<ul style="list-style-type: none"> Fixture is too hot. 	<ul style="list-style-type: none"> Check product stored error messages. Allow product to cool. Clean the product and airflow filters. Reduce ambient temperature.
	<ul style="list-style-type: none"> Hardware failure (temperature sensor, fans, Light source...). 	<ul style="list-style-type: none"> Check product stored error messages for more information. Contact PROLIGHTS Service or an authorized service partner.
General low light intensity	<ul style="list-style-type: none"> Dirty lens assembly 	<ul style="list-style-type: none"> Clean the fixture regularly.
	<ul style="list-style-type: none"> Dirty or damaged filters 	<ul style="list-style-type: none"> Install lens assembly properly.

Contact an authorized service center in case of technical problems or not reported in the table can not be resolved by the procedure given in the table.



PROLIGHTS is a trademark of
MUSIC & LIGHTS S.r.l.
musiclights.it

Via A.Olivetti snc
04026 - Minturno (LT) ITALY
Tel: +39 0771 72190

prolights.it
support@prolights.it