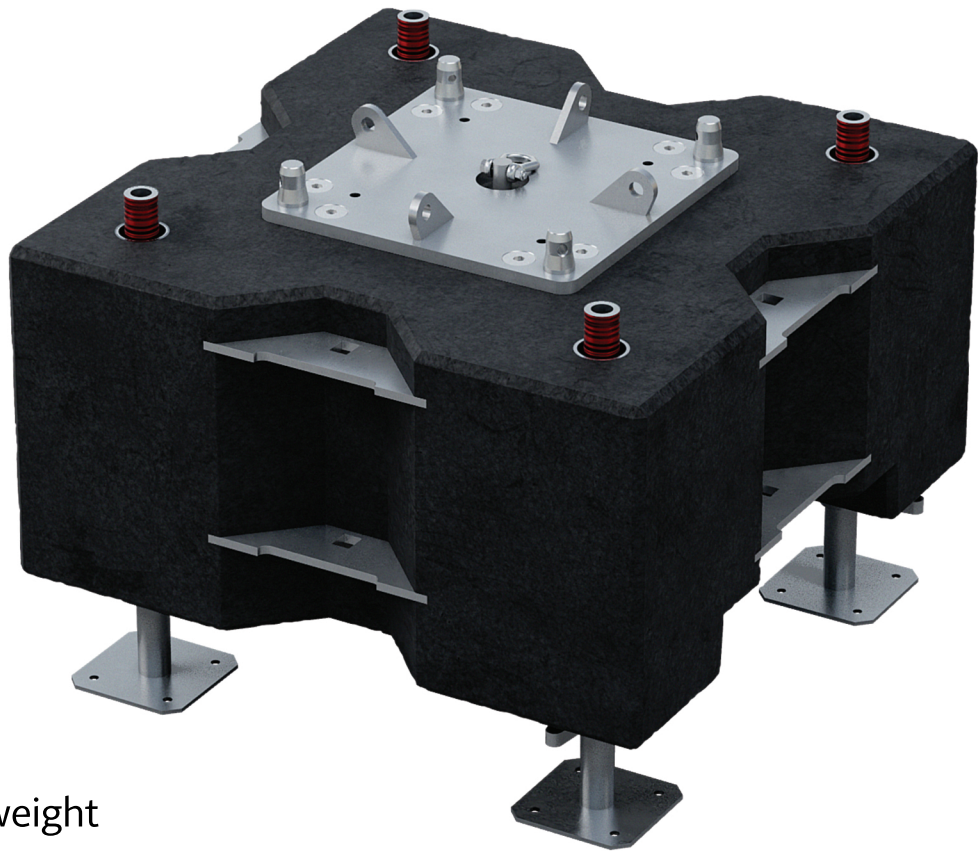


Stability

without Compromise,

Yet Saving Space

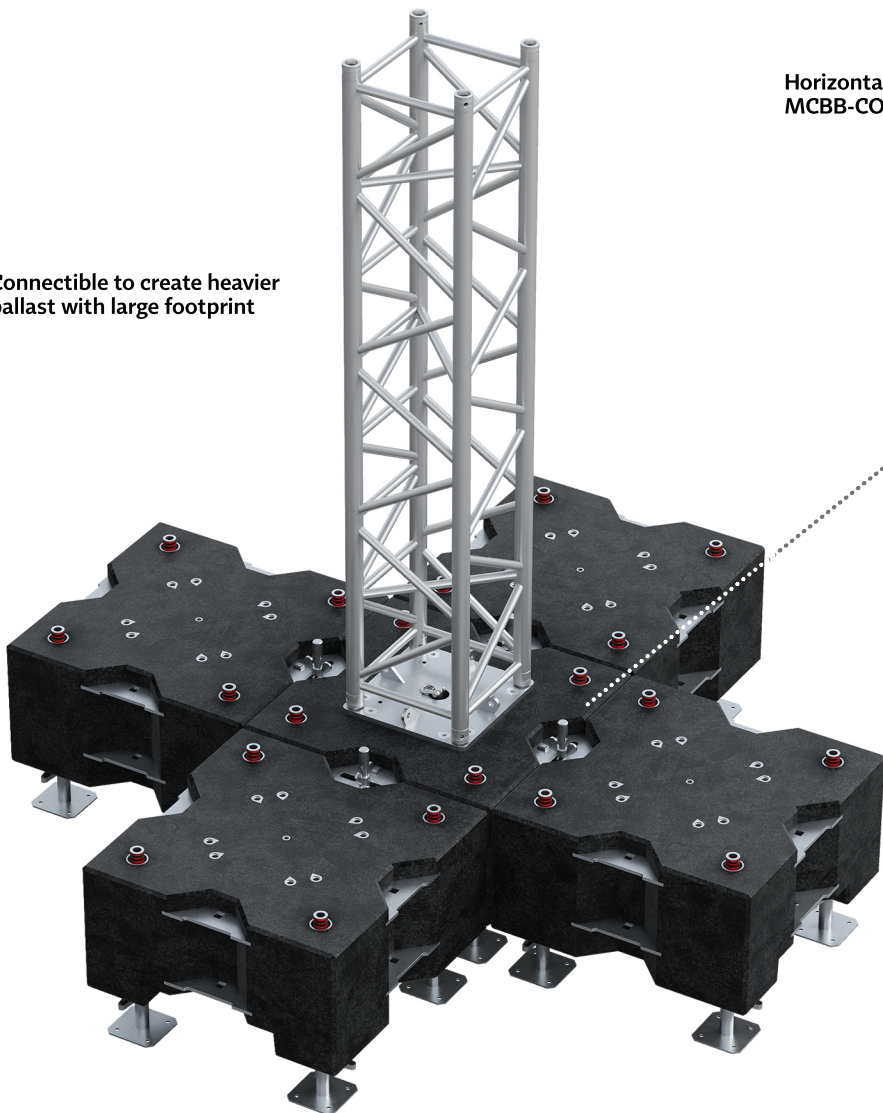
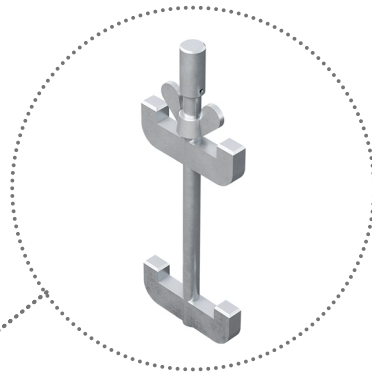


- 550kg mass weight
- Orientation free connection
- Integrated screwjack sleeve tube for leveling
- Center hanging point for easy manipulation
- Fork lift pocket for easy moving/stacking
- Stackable for extra weights/for easier transport
- Compact 800x800x400mm steel reinforced concrete block
- Inter-connectable to create heavier ballast with large footprint
- M290 and M390 truss connection via thick steel plate including lugs for wires

Secure your construction

Connectible to create heavier ballast with large footprint

Horizontal connector
MCBB-CON-Horizontal



Stackable for extra weights

Vertical connector
MCBB-CON-Vertical

