



# EclPendant Jr VW

100W Variable White innovative pendant light



---

## USER MANUAL

---

## ***Thank you for choosing PROLIGHTS***

Please note that every PROLIGHTS product has been designed in Italy to meet quality and performance requirements for professionals and designed and manufactured for the use and application as shown in this document.

Any other use, if not expressly indicated, could compromise the good condition/operation of the product and/or be a source of danger.

This product is meant for professional use. Therefore, commercial use of this equipment is subject to the respectively applicable national accident prevention rules and regulations.

Features, specifications and appearance are subject to change without notice. Music & Lights S.r.l. and all affiliated companies disclaim liability for any injury, damage, direct or indirect loss, consequential or economic loss or any other loss occasioned by the use of, inability to use or reliance on the information contained in this document.

Product user manual can be downloaded from the website [www.prolights.it](http://www.prolights.it), or can be inquired to the official PROLIGHTS distributors of your territory ([https://www.prolights.it/sales\\_network.html](https://www.prolights.it/sales_network.html)).

Scanning the below **QR Code**, you will access the download area of the product page, where you can find a broad set of always updated technical documentation: specifications, user manual, technical drawings, photometrics, personalities, fixture firmware updates.



**Visit the download area  
of the product page**



The PROLIGHTS Logo, PROLIGHTS names and all other trademark in this document pertaining to PROLIGHTS services or PROLIGHTS product are trademarks OWNED or licensed by Music & Lights S.r.l., its affiliates, and subsidiaries. PROLIGHTS is a registered trademark by Music & Lights S.r.l. All right reserved. Music & Lights – Via A. Olivetti, snc - 04026 - Minturno (LT) ITALY.

# INDEX

<b>SAFETY INFORMATION</b>	<b>02</b>
<b>1 - PACKAGING</b>	<b>05</b>
PACKAGE CONTENT .....	05
OPTIONAL ACCESSORIES .....	05
<b>2 - TECHNICAL DRAWING</b>	<b>05</b>
<b>3 - INSTALLATION</b>	<b>06</b>
MOUNTING .....	06
<b>4 - PRODUCT OVERVIEW</b>	<b>07</b>
<b>5 - CONNECTION TO THE MAINS SUPPLY</b>	<b>08</b>
CONNECT AND DISCONNECT POWER FROM THE PRODUCT .....	08
CONNECTION TO MAINS POWER CABLE .....	08
CONNECTION TO MAINS VIA TERMINAL BLOCK .....	09
CONNECTION TO VDC VIA TERMINAL BLOCK .....	10
<b>6 - CONTROL LINE CONNECTION</b>	<b>11</b>
PROTOCOL SUPPORTED .....	11
INSTRUCTIONS FOR A RELIABLE DMX CONNECTION .....	11
CONNECTION DAISY CHAIN .....	11
CONNECTION OF THE DMX LINE .....	11
CONSTRUCTION OF THE DMX TERMINATION .....	12
DMX ADDRESSING .....	12
OPERATION AS A WIRELESS TRANSMITTER .....	12
IN TO WDMX .....	13
OPERATION AS A WIRELESS RECEIVER .....	13
WDMX TO DMX (RX) .....	13
CONNECTION TO DALI/DMX LINE TERMINATION .....	14
<b>7 - CONTROL PANEL</b>	<b>15</b>
DISPLAY AND BUTTONS LAYOUT .....	15
<b>8 - MENU STRUCTURE</b>	<b>16</b>
<b>9 - SHORTCUT</b>	<b>19</b>
<b>10 - RDM FUNCTIONS</b>	<b>20</b>
<b>11 - DMX CHARTS</b>	<b>22</b>
<b>12 - ACCESSORIES INSTALLATION</b>	<b>26</b>
<b>13 - MAINTENANCE</b>	<b>37</b>
MAINTENANCE AND CLEANING THE PRODUCT .....	37
VISUAL CHECK OF PRODUCT HOUSING .....	37
TROUBLESHOOTING .....	38

# SAFETY INFORMATION



## WARNING!

- See <https://www.prolights.it/product/ECLPENDANTJRWW#download> for installation instructions.
- Please read carefully the instruction reported in this section before installing, powering, operating or servicing the product and observe the indications also for its future handling.



**This unit is not for household, only professional applications.**



## Connection to mains supply

- The Connection to the mains supply must be carried out by a qualified electrical installer.
- Use only AC supplies 100-240V 50-60 Hz, the fixture must be electrically connected to ground (earth).
- Select the cable cross section in according with the maximum current draw of the product and the possible number of products connected at the same power line.
- The AC mains power distribution circuit must be equipped with magnetic+residual current circuit breaker protection.
- Do not connect it to a dimmer system; doing so may damage the product.



## Protection and Warning against electrical shock

- Do not remove any cover from the product, always disconnect the product from AC power before servicing.
- Ensure that the fixture is electrically connected to ground (earth). And use only a source of AC power that complies with local building and electrical codes and has both overload and ground-fault (earth-fault) protection.
- Before using the fixture, check that all power distribution equipment and cables are in perfect condition and rated for the current requirements of all connected devices.
- Isolate the fixture from power immediately if the power plug or any seal, cover, cable, or other components are damaged, defective, deformed or showing signs of overheating.
- Do not reapply power until repairs have been completed.
- Refer any service operation not described in this manual to PROLIGHTS Service team or an authorized PROLIGHTS service center.



## Installation

- Make sure that all visible parts of the product are in good visible condition before its use or installation.
- Make sure the point of anchorage is stable before positioning the projector.
- When suspending the fixture above ground level, secure it against failure of primary attachments by attaching a safety cable that is approved as a safety attachment for the weight of the fixture to the attachment point on the main frame of the product. In case the safety cable, enter in action, it needs to be replaced with a new one.
- Install the product only in well ventilated places.
- For non temporary installations, ensure that the fixture is securely fastened to a load-bearing surface with suitable corrosionresistant hardware.
- For a temporary installation with clamps, ensure that the quarter-turn fastener and/or screws are turned fully, and secured with a suitable safety cable.



## Minimum distance of illuminated objects

- The projector needs to be positioned so that the objects hit by the beam of light are at least 0.5 meters (1.64 ft) from the lens of the projector.

**T<sub>a</sub> 45°C**

## Max operating ambient temperature (T<sub>a</sub>)

- Do not operate the fixture if the ambient temperature (T<sub>a</sub>) exceeds 45 °C (113 °F).

$T_a - 10^\circ\text{C}$



### Minimum operating ambient temperature ( $T_a$ )

- Do not operate the fixture if the ambient temperature ( $T_a$ ) is below  $-10^\circ\text{C}$  ( $14^\circ\text{F}$ ).

### Protection from burns and fire

- The exterior of the fixture becomes hot during use. Avoid contact by persons and materials.
- Ensure that there is free and unobstructed airflow around the fixture.
- Keep flammable materials well away from the fixture
- Do not expose the front glass to sunlight or any other strong light source from any angle. Lenses can focus the sun's rays inside the fixture, creating a potential fire hazard.
- Do not attempt to bypass thermostatic switches or fuses.



### Indoor use

- This product is designed for indoor and dry environments.
- Do not use in wet location and do not expose the fixture to rain or moisture.
- Never use the fixture in places subject to vibrations or bumps.
- Make certain that no inflammable liquids, water or metal objects enter the fixture.
- Excessive dust, smoke fluid, and particle build up degrades performance, causes overheating and will damage the fixture.
- Damages caused by inadequate cleaning or maintenance are not covered by the product warranty.

$T_c 70^\circ\text{C}$

### Temperature of the external surface

- The surface of the fixture can reach up to  $70^\circ\text{C}$  ( $158^\circ\text{F}$ ) during operation. Avoid contact with people and materials.



### Maintenance

- Warning! Disconnect the fixture from AC mains power and allow to cool for at least 10 minutes before handling.
- Only technicians who are authorized by PROLIGHTS or Authorised service partners are permitted to open the fixture.
- Users may carry out external cleaning, following the warnings and instructions provided, but any service operation not described in this manual must be referred to a qualified service technician.
- Important! Excessive dust, smoke fluid, and particle build up degrades performance, causes overheating and will damage the fixture. Damages caused by inadequate cleaning or maintenance is not covered by the product warranty.



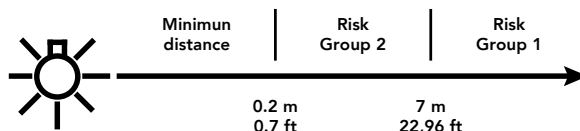
### Photobiological safety

- This device emits potentially dangerous optical radiation and is identified in the category of Risk Group 2 according to EN 62471.



### Do not stare at the operating light source

- Do not look directly at the LED source during operation. It can be harmful to the eyes and skin.
- During Installation, operation and maintenance, be prepared for the fixture to light and move suddenly when connected to power.
- The device should be positioned so that prolonged staring into the luminaire at a distance closer than 7 m ( $22,96\text{ ft}$ ) is not expected.





#### Disposal

- This product is supplied in compliance with European Directive 2012/19/EU – Waste Electrical and Electronic Equipment (WEEE). To preserve the environment please dispose/ recycle this product at the end of its life according to the local regulation.



#### The products to which this manual refers comply with:

- 2014/35/EU - Safety of electrical equipment supplied at low voltage (LVD).
- 2014/30/EU - Electromagnetic Compatibility (EMC).
- 2011/65/EU - Restriction of the use of certain hazardous substances (RoHS).
- 2014/53/EU - Radio Equipment Directive (RED).



#### Other approvals



# 1 - PACKAGING

## PACKAGE CONTENT

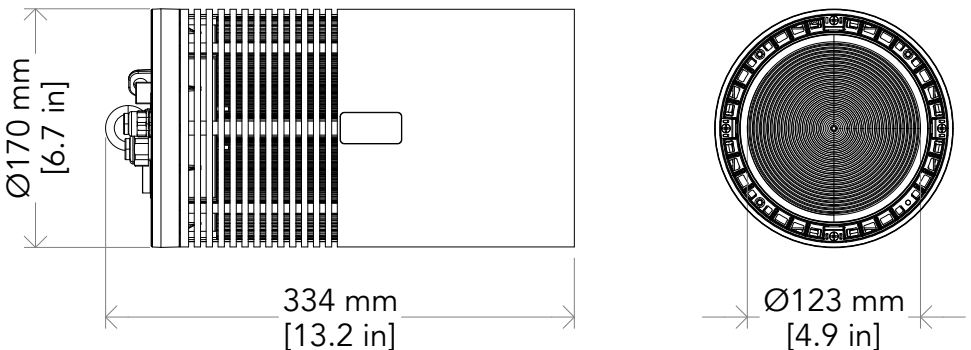
- 1 x ECLPENDANTJRVW.
- 1 x 1,5 meters power cable (BARE END - SEETRONIC IP65 power connector).
- User Manual.

NOTE: no hanging bracket ECLPENDJRHGBRK on board to the fixture.

## OPTIONAL ACCESSORIES

- ECLPENDJRLENS60/40/20: ECLPENDANTJR series lens.
- ECLPENDJRHGBRKBK/WH: hanging bracket for ECLPENDANTJR series, black/white.
- ECLPENDJRRECKITBK/WH: ceiling recessed kit for ECLPENDANTJR series, black/white.
- ECLPENDJRHSNOOTBK/WH: half snoot for ECLPENDANTJR series, black/white.
- ECLPENDJRFSNOOTBK/WH: full snoot for ECLPENDANTJR series, black/white.
- ECLPENDJRHLOUVBK/WH: honeycomb louvre for ECLPENDANTJR series, black/white.
- ECLPENDJRCLOUVBK/WH: concentric louvre for ECLPENDANTJR series, black/white.
- ECLPENDWALLBRKBK/WH: wall mounting bracket for ECLPENDANT and ECLPENDANTJR series, black/white.
- TOUR53415L03BK: dmx cable HC5340. CANC5MXX XLR 5p->CANC5FXX XLR (f) 5p.
- C6002A/B: slim aluminium clamp, 200 kg loading, 48-51 mm tubes, M10 bolt, silver/black.
- RSRRSR0630B: steel security cable for hanging bodies, inox steel shackle, silver/black.
- 9533FXWL03: ass. 3x2.5mm TH07 cable, SHUKO plug, MENAC3FXW socket.
- 9513FXW9513FXWL03: ass. 3x2.5mm TH07 cable, 16A 3p 230V CEE plug, MENAC3FXW socket.
- 958225958225L03: 3x2.5mm TH07. Cable, 16A 3p PwCon MXW, 16A 3p PwCon FXW.
- UPBOX1UP5: Firmware uploader kit, USB IN, 5p XLR DMX OUT, DMX OUT.
- UPBOXPRO: Firmware uploader kit, USB IN, 5-pin XLR DMX OUT connector.

# 2 - TECHNICAL DRAWING



Weight: 5 kg - 11,02 lbs

Fig. 01

### 3 - INSTALLATION

#### MOUNTING

Check that the supporting structure can safely bear the weight of all installed fixtures, clamps, cables, auxiliary equipment, etc. and complies with locally applicable regulations.

When suspending the fixture above ground level, secure it against failure of primary attachments by attaching a safety wire that is approved as a safety attachment for the weight of the fixture to an anchor point on the product main frame.

Do not use removable parts or weak anchors for secondary attachment.

Warning! When clamping the fixture to a truss or other structure at any angle, use clamps of half-coupler type. Do not use any type of clamp that does not completely encircle the structure when fastened.

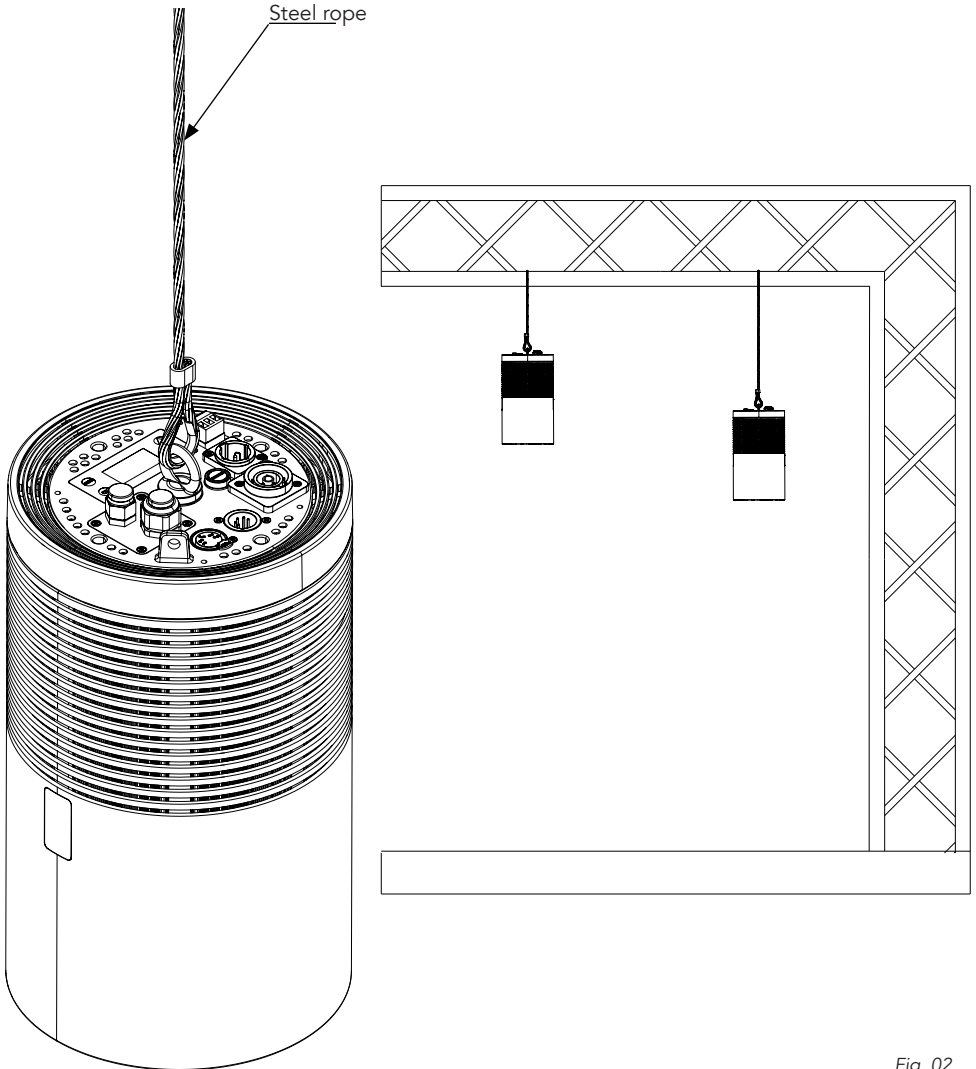


Fig. 02



## 4 - PRODUCT OVERVIEW

1. DALI/DMX signal.
2. EYEBOLT: for hanging pendant applications.
3. USER INTERFACE with display and buttons for access to the control panel functions.
4. POWER OUT: power output for connection of multiple units in series.
5. 48V DC input.
6. SAFETY EYE to attach safety cable.
7. POWER IN.
8. DMX OUT (5-p XLR): 1 = GND, 2 = sign-, 3 = sign+, 4 N/C, 5 N/C
9. DMX IN (5-p XLR): 1 = GND, 2 = sign-, 3 = sign+, 4 N/C, 5 N/C.
10. MAIN FUSE HOLDER: replace a burnt-out fuse by one of the same type only (250V, T3, 15A).
11. POWER IN: for connection to the Mains 100-240V~/50-60Hz.

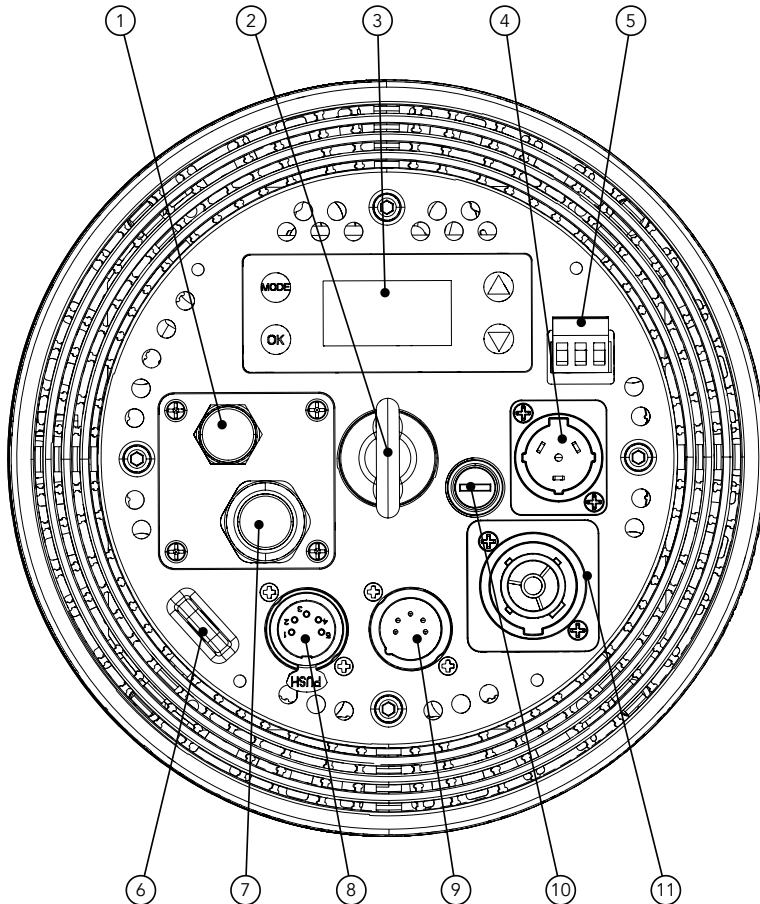


Fig. 03

# 5 - CONNECTION TO THE MAINS SUPPLY

**WARNING:** For protection from electric shock, the fixture must be earthed!  
The product is equipped with auto-switching power supply that automatically adjusts to any 50-60Hz AC power source from 100-240 Volts. This fixture is also equipped with a DC Input rated 48V.

**ATTENTION! Do not connect 100-240 Vac and 48 Vdc at same time!**

## CONNECT AND DISCONNECT POWER FROM THE PRODUCT


To apply and disconnect power to the product:

- Check that the product is installed and secured as indicated in the Safety Informations, and that personal safety will not be put at risk when the fixture lights up.
- Connect the power using one of the method described below (Power Cable, Mains Terminal Block or VDC Terminal Block) - Do not connect multiple sources at same time.
- The product is then ready for its operations and can be controlled through the available input signals on board. Check paragraph for DMX or DALI connection. Do not connect DMX and DALI at same time.
- To disconnect power from the product, disconnect the Mains from the socket.

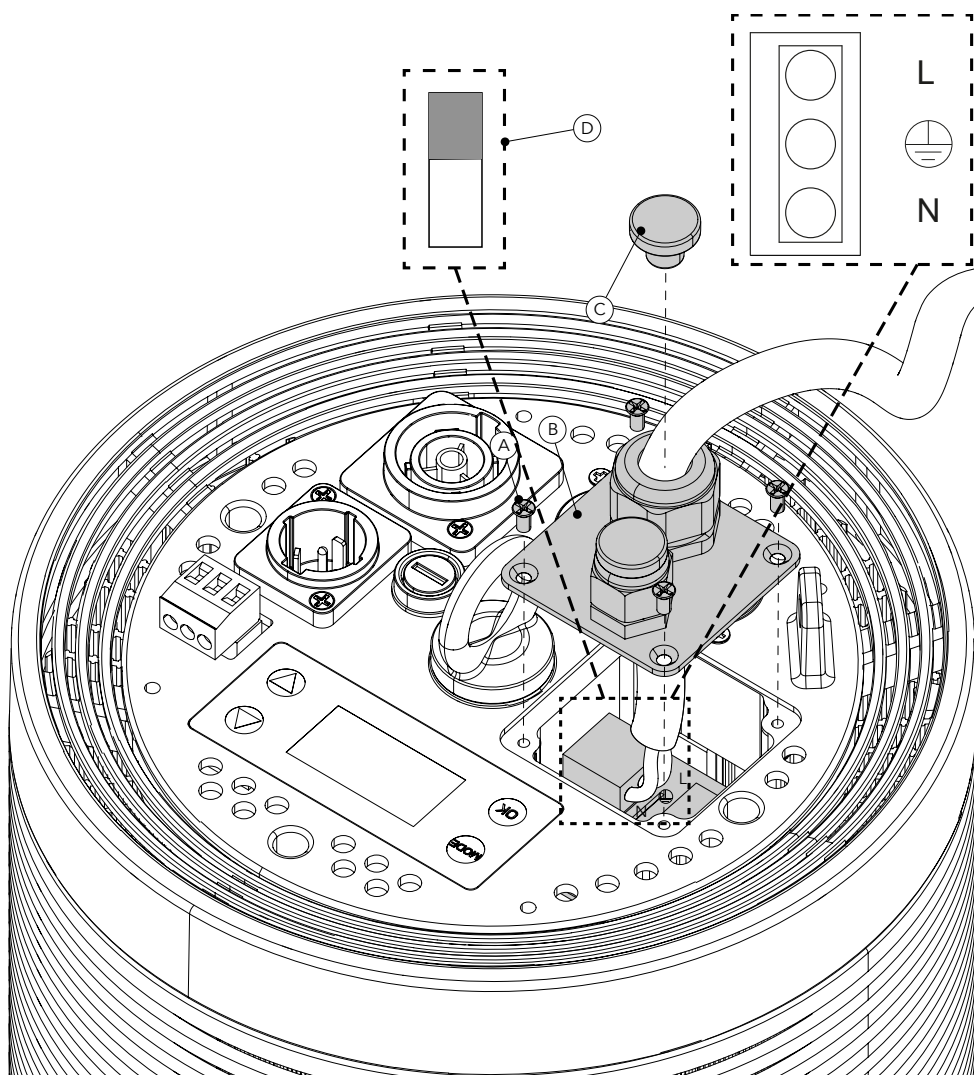
## CONNECTION TO MAINS POWER CABLE

If you need to install a power plug on the power cable to allow connection to power outlets, install a grounding-type (earthed) plug, following the plug manufacturer's instructions. If you have any doubts about proper installation, consult a qualified electrician.

The max power consumption is 112W.

Core (EU)	Core (US)	Connection	Plug terminal marking
Brown	Black	Live	L
Blue	White	Neutral	N
Yellow+green	Green	Earth	

## CONNECTION TO MAINS VIA TERMINAL BLOCK



Loosen the four screws (A) and remove the plate with the cable glands (B). Loosen and remove the cap (C). Then insert the cable.

**NOTE:** to change the power supply use the appropriate switch (D).

Fig. 04

CONNECTION TO VDC VIA TERMINAL BLOCK

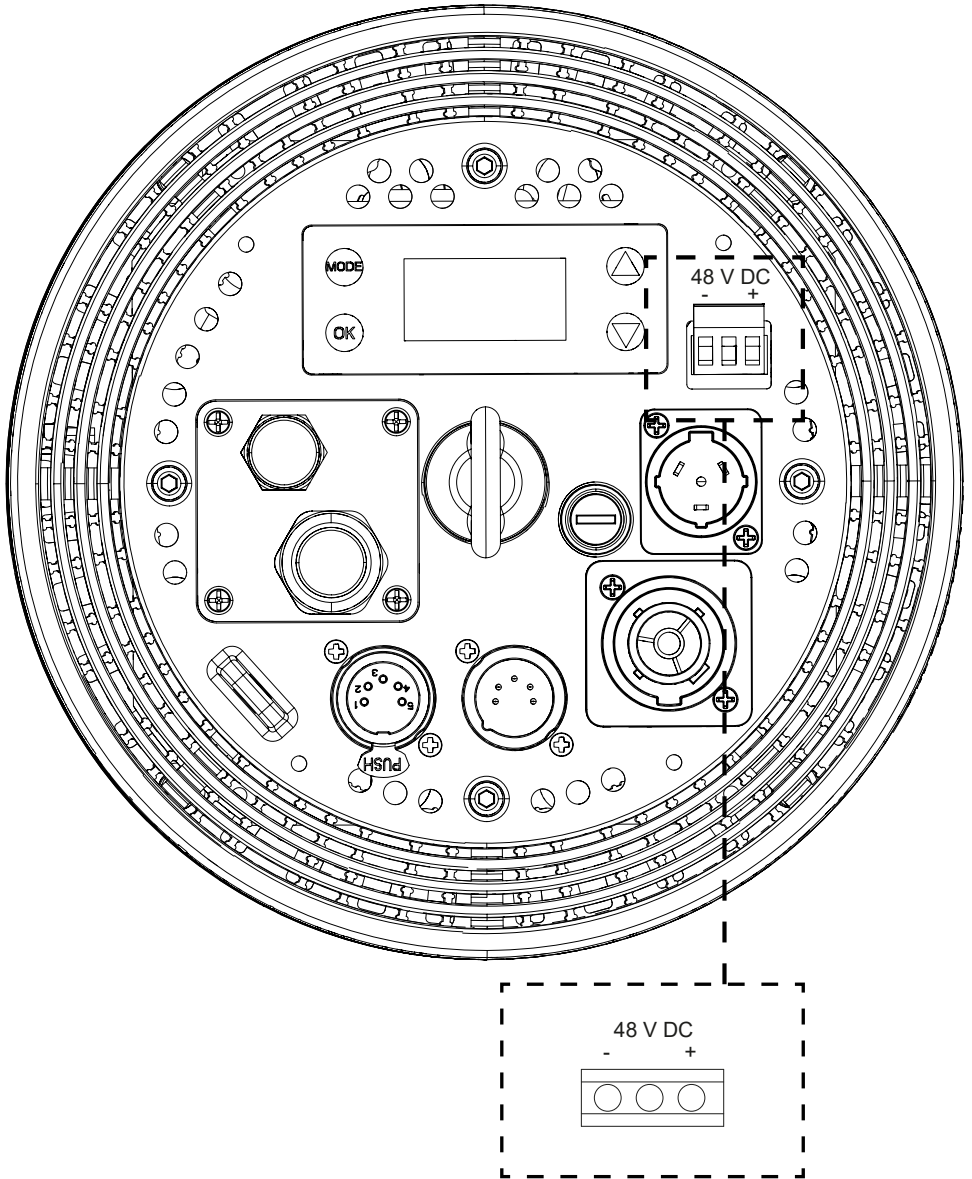


Fig. 05

# 6 - CONTROL LINE CONNECTION

## PROTOCOL SUPPORTED

This fixture supports protocols as indicated in the following table.

DMX	RDM	WDMX	CRMX	DALI
DMX 512	RDM over DMX	G4S	CRMX Classic	DT-8 (Tc mode)
	RDM over CRMX	G3		
	RDM over WDMX			

## CONNECTION OF THE CONTROL SIGNAL: DMX LINE

The product has XLR sockets for DMX input and output.  
The default pin-out on both socket is as the following diagram:

### DMX - INPUT XLR plug



Pin1 : GND - Shield  
Pin2 : - Signal  
Pin3 : + Signal  
Pin4 : N/C  
Pin5 : N/C

### DMX - OUTPUT XLR socket

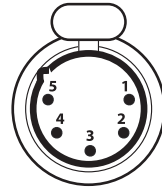


Fig. 06

## INSTRUCTIONS FOR A RELIABLE DMX CONNECTION

Use shielded twisted-pair cable designed for RS-485 devices: standard microphone cable cannot transmit control data reliably over long runs. 24 AWG cable is suitable for runs up to 300 meters (1000 ft). Heavier gauge cable and/or an amplifier is recommended for longer runs.  
To split the data link into branches, use splitter-amplifiers in the connection line.  
Do not overload the link. Up to 32 devices may be connected on a serial link.

## CONNECTION DAISY CHAIN

Connect the DMX data output from the DMX source to the product DMX input (male connector XLR) socket.  
Run the data link from the product XLR output (female connector XLR) socket to the DMX input of the next fixture.  
Terminate the data link by connecting a 120 Ohm signal termination. If a splitter is used, terminate each branch of the link.  
Install a DMX termination plug on the last fixture on the link.

## CONNECTION OF THE DMX LINE

DMX connection employs standard XLR connectors. Use shielded pair-twisted cables with 120Ω impedance and low capacity.  
The following diagram shows the connection mode:

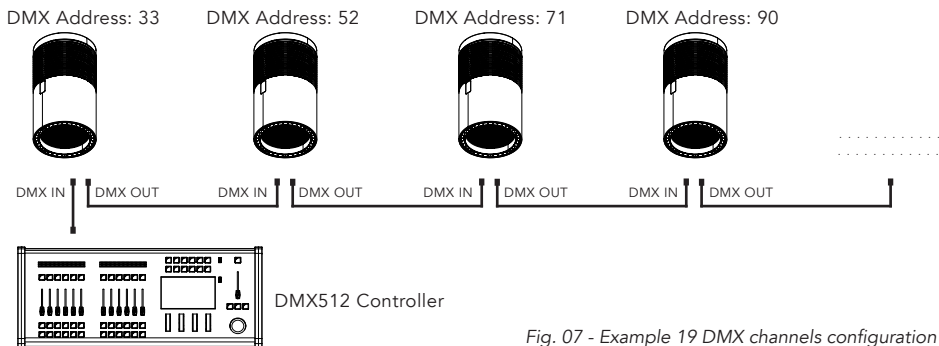


Fig. 07 - Example 19 DMX channels configuration

### CONSTRUCTION OF THE DMX TERMINATION

The termination is prepared by soldering a 120Ω 1/4 W resistor between pins 2 and 3 of the male XLR connector, as shown in figure.

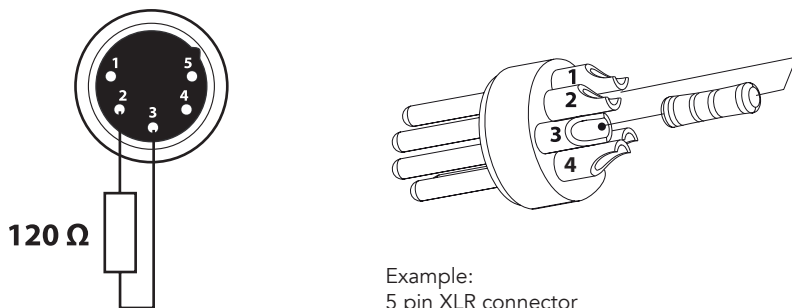


Fig. 08

### DMX ADDRESSING

In order to start controlling the product via DMX, the first step is to select a DMX address, also known as the start channel, this is the first channel used to receive instructions from a DMX controller. If you wish to control the product individually, it is necessary to assign a different starting address channel to each fixture.

The number of channels occupied from the product depends on the DMX mode selected, so always verify the DMX Mode in the MENU before start addressing.

If you assign two fixtures the same address, they will be executing the same behaviour. Selecting the same address to multiple fixtures can be useful for diagnostic purposes and symmetrical control.

DMX addressing is limited to make it impossible to set the DMX address so high that you are left without enough control channels for the product.

To set the fixture's DMX address:

1. Press ENTER to open the main menu.
2. Reach the addressing menu, then select the DMX ADDRESS settings.
3. Select the address from 1 to 512 using the navigation arrows/buttons and confirm by pressing ENTER.
4. Press Menu to exit and return to the Home screen.

### OPERATION AS A WIRELESS TRANSMITTER

ECLPENDANTJRWW can be used as wireless transmitter to transmit DMX signal to different wireless receivers. To use ECLPENDANTJRWW as wireless transmitter, please follow the procedure below:

1. Push ENTER button until you show CONNECT on display, then press ENTER button to confirm.

2. Use UP/DOWN buttons for select WIRELESS, then press ENTER to confirm.
3. Push ENTER button on WDMX ON/OFF function and enable it to ON.
4. Select WDMX mode and set it on Transmitter (please note that WDMX mode will be available only if WDMX ON/OFF is set to ON).
5. Ensure that the receiver units are not connected to any other transmitter. Please refer to "Reset the receiver" paragraph.
6. Enable TX LINK to ON to link transmitter to receivers (please note that TX LINK will be available only if WDMX mode is set to Transmitter).
  - The transmitter scans for all unlinked receivers for a period of about 5 seconds.
  - If the connection fails, check the position of the receiver.
  - The wireless icon on the receiver display indicates the received signal strength.

### **Unlinking the transmitter**

Follow the procedure below to unlink the transmitter from all receivers connected with the unit.

1. Push ENTER button until you show CONNECT on display, then press ENTER button to confirm.
2. Use UP/DOWN buttons for select Wireless, then press ENTER to confirm.
3. Enable TX UNLINK to ON 8 (please note that TX UNLINK will be available only if WDMX mode is set to Transmitter).
  - All connected receivers will be unlinked.

### **IN TO WDMX**

This function enable or disable the transmission through wireless of the DMX signal from the transmitter side to the receiver.

### **OPERATION AS A WIRELESS RECEIVER**

ECLPENDANTJRWW can be used as wireless receiver connected to a wireless transmitter.

To use ECLPENDANTJRWW as wireless receiver, please follow the procedure below:

1. Push ENTER button until you show CONNECT on display, then press ENTER button to confirm.
2. Use UP/DOWN buttons for select Wireless, then press ENTER to confirm.
3. Push ENTER button on WDMX ON/OFF function and enable it to ON.
4. Select WDMX mode and set it on Receiver (please note that WDMX mode will be available only if WDMX ON/OFF is set to ON).
5. Enable RX RESET to ON to reset the receiver (please note that RX RESET will be available only if WDMX mode is set to Receiver).
6. On the transmitter, enable TX LINK to ON to link transmitter to the receivers.
7. If the connection is successful and DMX input is available the display the display on the receiver unit will shows the DMX address. If DMX signal is not available, the display will shows "No signal" but keeps the transmitter linked.
8. If the connection fails, check the position of the receiver.
9. The wireless icon on the receiver display indicates the received signal strength.

### **Reset the receiver**

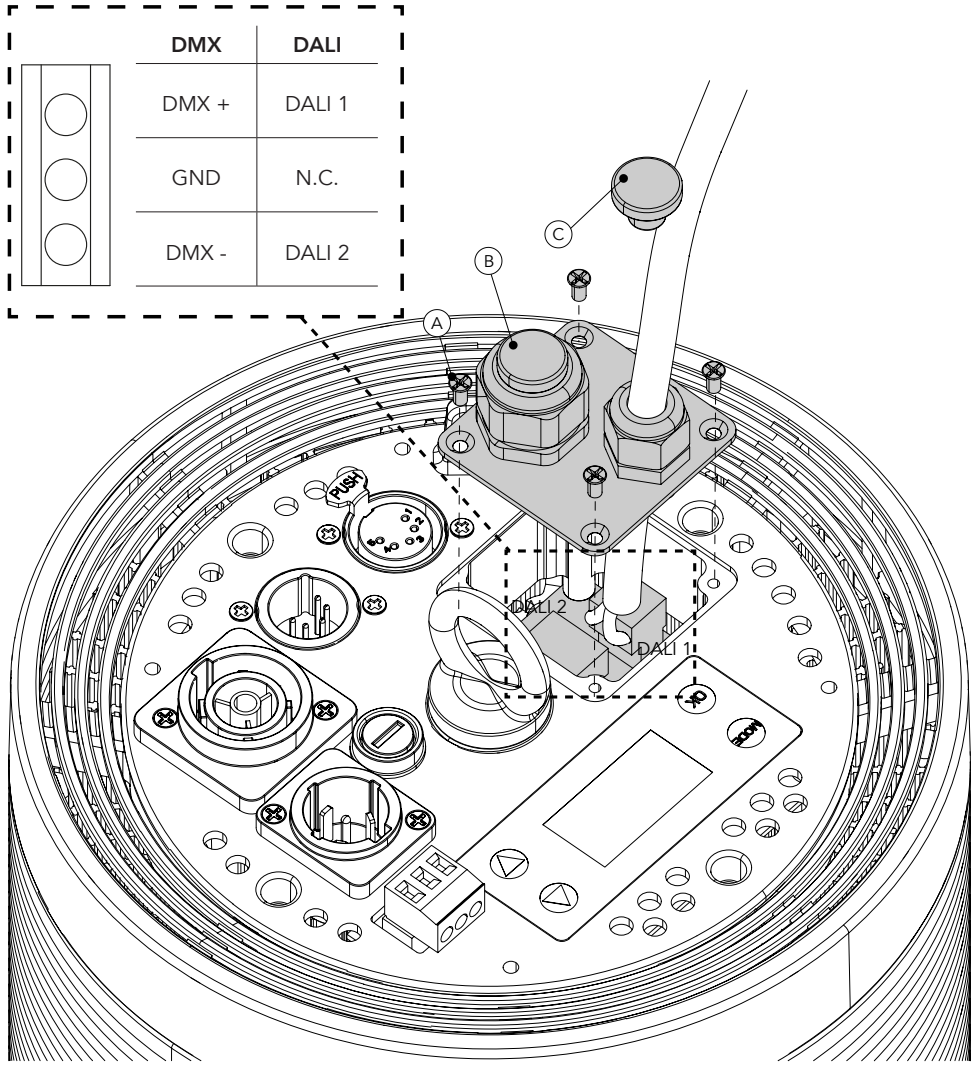
Follow the procedure below to reset the receiver.

1. Push MENU button until you show CONNECT on display, then press ENTER button to confirm.
2. Use UP/DOWN buttons for select Wireless, then press ENTER to confirm.
3. Enable RX RESET to ON.
  - The wireless icon on the receiver display indicates the received signal strength.

### **WDMX TO DMX (RX)**

This function enable or disable the retransmission of the wireless DMX signal received through the DMX port on the receiver side.

# CONNECTION TO DALI/DMX LINE TERMINATION



Loosen the four screws (A) and remove the plate with the cable glands (B). Loosen and remove the cap (C). Then insert the cable.

Fig. 09



## 7 - CONTROL PANEL

The product has a display and buttons for access to the control panel functions.

---

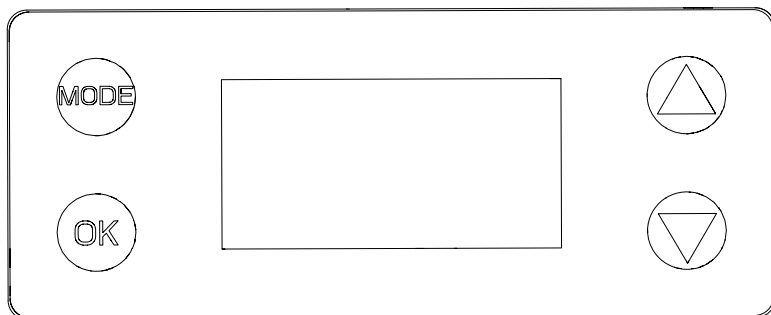






Fig. 10

---

### DISPLAY AND BUTTONS LAYOUT

The product has a display and buttons for access to the control panel functions:

	Used to access the menu tree or to return a previous menu window.
	Browse upwards through the menu list and increases the numeric value displayed.
	Browse downwards through the menu list and decreases the numeric value displayed.
	Used to confirm the current menu or confirm the current function value or option within a menu.

# 8 - MENU STRUCTURE

The following chart describes the MENU tree of the product, the terms shown in **BOLD** indicates the default settings.

N°	MENU	LEVEL 1	LEVEL 2	LEVEL 3	LEVEL 4	DESCRIPTION	
1	CONNECT	DMX ADDRESS	<b>1-512</b>			Set address used for Fixture.	
		DMX MODE	UNO	COLOR TEMPERATURE	2700K	Set DMX chart for Main Fixture.	
					2800K		
					3200K		
					3500K		
					4000K		
					4500K		
					5000K		
					5600K		
					6000K		
					6500K		
				MANUAL COLOR	WW <000-255>		
					CW <000-255>		
				DUO	COLOR TEMPERATURE		2700K
							2800K
							3200K
							3500K
							4000K
							4500K
							5000K
							5600K
		6000K					
		6500K					
		MANUAL COLOR	WW <000-255>				
			CW <000-255>				
		BASIC					
<b>STANDARD</b>							
EXTENDED							
ADVANCED							

N°	MENU	LEVEL 1	LEVEL 2	LEVEL 3	LEVEL 4	DESCRIPTION
		WIRELESS	WDMX ON/OFF	ON		Enable/Disable the wireless card.
				OFF		
			WDMX MODE	TRANSMITTER		Allows to choose whether to set the wireless on the Transmitter or Receiver. WDMX mode is unlocked only if WDMX ON / OFF is ON.
				RECEIVER		
			TX LINK			TX link unlock when the unit is set as a transmitter
			TX UNLINK	ON		Disconnect the transmitter from all receivers. TX unlink unlocks only if WDMX mode is on transmitter
				OFF		
			RX RESET	ON		Total reset of the receiver. RX reset unlocks only if WDMX mode is receiver.
				OFF		
			IN TO WDMX (TX)	ON		Enable/Disable the transmission of the dmx from the transmitter to the receiver via wdmx.
				OFF		
			WDMX TO DMX (RX)	ON		Enable/Disable the retransmission of the DMX from the receiver to the other units connected by cable to the receiver itself.
				OFF		
			2	SETUP	SCREEN	BACKLIGHT
10S						
20S						
30S						
FLIP DISPLAY	ON					Allows you to rotate the display by 180°.
	OFF					
KEY LOCK	ON					Allows you lock the buttons on the control panel by a password. Press following combinations (password) in order to access to the user menu: UP, DOWN, UP, DOWN, ENTER.
	OFF					
TEMPERATURE UNIT	°C					Allows you to choose Temperature unit showed in home screen.
	°F					
TRANSFER CONFIGURATION	WITHOUT DMX ADDRESS					To transfer the same menu settings of one fixtures to all the other in the daisy chain, including or not the dmx address. Transfer configuration also works via WDMX.
	WITH DMX ADDRESS					

N°	MENU	LEVEL 1	LEVEL 2	LEVEL 3	LEVEL 4	DESCRIPTION
3	<b>ADVANCED</b>	DIMMER CURVE	LINEAR			Select Dimmer curve.
			S-CURVE			
			<b>SQUARE LAW</b>			
			INVERSE SQUARE LAW			
		DIMMER SPEED	<b>AUTO</b>			Select Dimmer speed.
			FAST			
			MEDIUM			
			SLOW			
		LED FREQUENCY	600HZ			Select LED PWM frequency.
			<b>1200HZ</b>			
			2000HZ			
			4000HZ			
			6000HZ			
			25KHZ			
			36KHZ			
			40KHZ			
		DMX FAULT	HOLD			Define the behaviour of fixture in case of DMX signal lost.
			BLACKOUT			
			<b>STAND ALONE</b>			
			EMERGENCY			
		OUTPUT CONTROL	CONSTANT			See table at the end of the Menu for Power behaviour.
<b>DYNAMIC</b>						
FACTORY RELOAD	ON			Reload fixture with Standard settings.		
	<b>OFF</b>					
4	<b>INFORMATION</b>	DEVICE TIME	FIXTURE HOURS	<99999H>		To check the total working hours of the unit.
			CURRENT HOURS	<99999H>		To check the current working hours of the unit.
			SOURCE HOURS	<99999H>		To see the total operating hours of the LED source.
			AC POWER ON CYCLE	<300>		To see the power cycles of the machine.
			MAINTENANCE TIME	ELAPSED TIME		To choose and reset unit maintenance warning hours.
		ALERT PERIOD		10 - 300		
		POWER CONSUMPTION			Show actual power consumption.	
		TEMPERATURE	NEAR SOURCE TEMP, DRIVER PCB TEMP, LED PCB TEMP,...		To see the unit temperature.	
		WIRELESS QUALITY			To check the wireless quality.	

N°	MENU	LEVEL 1	LEVEL 2	LEVEL 3	LEVEL 4	DESCRIPTION
		CHANNEL VALUE				To see the dmx value of those channels.
		ERROR MESSAGE				To see any error messages.
		FIXTURE MODEL				View informations about fixture model.
		DEVICE LABEL				Show RDM Device label.
		SOFTWARE VERSION	<V1.0>			View informations about software version.
		RDM UID	15D00228****			View ID for the RDM control.
5	<b>STAND ALONE</b>	MASTER / SLAVE	MASTER DMX			Allow you to link and operating in synk multiple units without a DMX console. Choose a unit to perform as the Master. This unit must be the first unit in line; Set the successive units to be slave.
			MASTER NO DMX			
			<b>SLAVE</b>			
		EFFECTS	<b>EFFECT 1</b>	<1-100>		Effects modes allows creation and editing of 5 effects maximum. Each effect contains up to 20 colors, a Main Dimmer and a Main Strobe.
			...	<1-100>		
			EFFECT 5	<1-100>		
		STATIC	WHITE PRESETS	2700K	DIMMER <000-255>	Select of the following predefined color combination and its Dimmer value. After enabled this mode, the unit will be automatically assigned as Master.
				2800K		
				3200K		
				3500K		
				4000K		
				4500K		
				5000K		
				5600K		
				6000K		
				6500K		
			MANUAL COLOR	WARM WHITE	<000-255>	User generated color preset by assigning values to each primary color attribute. After enabled this mode, the unit will be automatically assigned as Master.
				COLD WHITE	<000-255>	

## 9 - SHORTCUT

SHORTCUTS		
Keys	Mode	Description
MENU + ENTER then power on	Clear All	Clear all value of functions + factory default
UP + DOWN after power on	Flip Display	Directly flip display without enter inside menu

# 10 - RDM FUNCTIONS

The product can communicate using RDM (Remote Device Management) protocol over a DMX512 Networks.

RDM is a bi-directional communications protocol for use in DMX512 control systems, it is the open standard for DMX512 device configuration and status monitoring.

The RDM protocol allows data packets to be inserted into a DMX512 data stream without affecting existing non-RDM equipment. It allows a console or dedicated RDM controller to send commands to and receive messages from specific fixtures.

The PIDs in the following tables are supported in the product.

RDM is also available on Wireless and Tiny's Downstead must be enabled in its custom PIDs to work.

Category	Parameter	Value	GET	SET
<b>Product Information</b>	SUPPORTED_PARAMETERS	0x0050	x	
	PARAMETER_DESCRIPTION	0x0051	x	
	PRODUCT_DETAIL_ID_LIST	0x0070	x	
	DEVICE_MODEL_DESCRIPTION	0x0080	x	
	MANUFACTURER_LABEL	0x0081	x	
	DEVICE_LABEL	0x0082	x	x
	FACTORY_DEFAULTS	0x0090	x	x
<b>DMX512 Setup</b>	DMX_PERSONALITY	0x00E0	x	x
	DMX_PERSONALITY_DESCRIPTION	0x00E1	x	
	DMX_START_ADDRESS	0x00F0	x	x
	SLOT_INFO	0x0120	x	
	SLOT_DESCRIPTION	0x0121	x	
	DEFAULT_SLOT_VALUE	0x0122	x	
<b>Sensors</b>	SENSOR_DEFINITION	0x0200	x	
	SENSOR_VALUE	0x0201	x	x
<b>Dimmer Settings</b>	DIMMER_INFO	0x0340	x	
	CURVE	0x0343	x	x
	CURVE_DESCRIPTION	0x0344	x	x
	OUTPUT_RESPONSE_TIME	0x0345	x	x
	OUTPUT_RESPONSE_TIME_DESCRIPTION	0x0346	x	
	MODULATION_FREQUENCY	0x0347	x	x
	MODULATION_FREQUENCY_DESCRIPTION	0x0348	x	
<b>Power/Lamp Settings</b>	DEVICE_HOURS	0x0400	x	x
	LAMP_HOURS	0x0401	x	x
	LAMP_STRIKES	0x0402	x	x
	LAMP_STATE	0x0403	x	x
	LAMP_MODE	0x0404	x	x
	DEVICE_POWER_CYCLES	0x0405	x	x
<b>Display Settings</b>	DISPLAY_INVERT	0x0500	x	x
<b>Control</b>	IDENTIFY_MODE	0x1040	x	x

### Manufacturer Specific PIDs

Parameter	PID	GET	SET	Value	Description
DMX FAULT	0x82DD	x	x	0-3	0: Hold 1: Blackout <b>2:Stand Alone</b> 3:Emergency
MASTER/SLAVE	0x8211	x	x	0-2	0:Master DMX 1:Master NO DMX <b>2: Slave</b>
STAND ALONE MODE	0x82EC	x	x	0-2	0:Stand Alone EFFECTS 1:Stand Alone CCT PRESET 2:Stand Alone MANUAL WW/CW
EFFECTS	0x8209	x	x	0-5	<b>DEFAULT: 5</b>
EFFECTS SPEED	0x8210	x	x	0-100	<b>DEFAULT: 100</b>
CCT PRESET	0x82BF	x	x	0-9	0: 2700K 1: 2800K <b>2: 3200K</b> 3: 3500K 4: 4000K 5: 4500K 6: 5000K 7: 5600K 8: 6000K 9: 6500K
MANUAL WW	0x82C0	x	x	0-255	<b>DEFAULT: 255</b>
MANUAL CW	0x82C1	x	x	0-255	<b>DEFAULT: 255</b>
OUTPUT CONTROL	0x830C	x	x	0-1	0:Constant Output <b>1:Dynamic Output</b>
CURRENT HOURS	0x82C5	x		0-1	
POWER CONSUMPTION(AC 220V)	0x82DE	x		0-1	
MAINTENANCE TIME:ALERT PERIOD	0x82DF	x	x	10-300	<b>DEFAULT: 300</b>
MAINTENANCE TIME:ELAPSED TIME	0x82E0	x	x	0-1	<b>DEFAULT: 0</b>
ERROR MESSAGES	0x82EA	x		0-2	0:No Error 1:Temperature Too High 2:LED sensor damaged (open or in short circuit)
CLEAN ALL DATA	0x82C8	x	x	0-1	<b>0: No</b> 1: Yes

# 11 - DMX CHARTS

RDM Model ID: 0xD121

## RDM Personality ID List

ID	DMX Mode	Footprint
1	UNO	1CH
2	DUO	2CH
3	BASIC	2CH
4	STANDARD	5CH
5	EXTENDED	9CH
6	ADVANCED	13CH

PARAMETER	MODE					
	UNO	DUO	BASIC	STANDARD	EXTENDED	ADVANCED
DIMMER	1	1	1	1	1	1
DIMMER FINE		2		2	2	2
CCT			2	3	3	3
CCT FINE					4	4
CROSSFADE					5	5
WARM WHITE					6	6
WARM WHITE FINE						7
COLD WHITE					7	8
COLD WHITE FINE						9
EFFECT						10
EFFECT SPEED						11
STROBE				4	8	12
CONTROL				5	9	13



**Dimmer**

Function	8 bit value		16 bit value		Note
	From	To	From	To	
Dimmer	0	255	0	65535	Default @ 0

**Strobe**

Function	8 bit value		16 bit value		Note
	From	To	From	To	
Open	0	1	-	-	Default @ 255
Strobe from Slow to Fast	2	62	-	-	
Open	63	64	-	-	
Pulse In from slow to fast	65	125	-	-	
Open	126	127	-	-	
Pulse Out from slow to fast	128	188	-	-	
Open	189	190	-	-	
Random from slow to fast	191	251	-	-	
Open	252	255	-	-	

**CCT**

Function	CCT From	CCT To	8 bit value		16 bit value		Note
			From	To	From	To	
	2700	2800	0	7	0	1725	Default @ 0
	2800	2900	7	13	1725	3449	
	2900	3000	13	20	3449	5174	
	3000	3100	20	27	5174	6898	
	3100	3200	27	34	6898	8623	
	3200	3300	34	40	8623	10348	
	3300	3400	40	47	10348	12072	
	3400	3500	47	54	12072	13797	
	3500	3600	54	60	13797	15521	
	3600	3700	60	67	15521	17246	
	3700	3800	67	74	17246	18971	
	3800	3900	74	81	18971	20695	
	3900	4000	81	87	20695	22420	
	4000	4100	87	94	22420	24144	
	4100	4200	94	101	24144	25869	
	4200	4300	101	107	25869	27594	
	4300	4400	107	114	27594	29318	
	4400	4500	114	121	29318	31043	
	4500	4600	121	128	31043	32768	
	4600	4700	128	134	32768	34492	
	4700	4800	134	141	34492	36217	
	4800	4900	141	148	36217	37941	
	4900	5000	148	154	37941	39666	
	5000	5100	154	161	39666	41391	
	5100	5200	161	168	41391	43115	
	5200	5300	168	174	43115	44840	
	5300	5400	174	181	44840	46564	
	5400	5500	181	188	46564	48289	
	5500	5600	188	195	48289	50014	
	5600	5700	195	201	50014	51738	

**CCT**

Function	8 bit value		16 bit value		Note
	CCT From	CCT To	From	To	
5700	5800	201	208	51738	53463
5800	5900	208	215	53463	55187
5900	6000	215	221	55187	56912
6000	6100	221	228	56912	58637
6100	6200	228	235	58637	60361
6200	6300	235	242	60361	62086
6300	6400	242	248	62086	63810
6400	6500	248	255	63810	65535

**Crossfade from CCT to WW/CW**

Function	8 bit value		16 bit value		Note
	From	To	From	To	
Linear Crossfade	0	255	-	-	Default @ 255

**Warm White**

Function	8 bit value		16 bit value		Note
	From	To	From	To	
0 - 100%	0	255	0	65535	Default @ 255 / 65535

**Cold White**

Function	8 bit value		16 bit value		Note
	From	To	From	To	
0 - 100%	0	255	0	65535	Default @ 255 / 65535

**Effects**

Function	8 bit value		16 bit value		Note
	From	To	From	To	
No Function	0	10	-	-	Default @ 0
FX 1	11	60	-	-	
FX 2	61	110	-	-	
FX 3	111	160	-	-	
FX 4	161	210	-	-	
FX 5 (FX 1 -4)	211	255	-	-	

**Effect Speed**

Function	8 bit value		16 bit value		Note
	From	To	From	To	
From slow to fast	0	255	-	-	Default @ 128

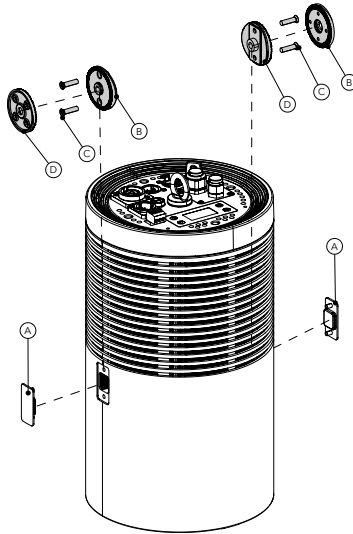
Control Channel					Note
Function	8 bit value		16 bit value		
	From	To	From	To	
No Functon		0	1	-	Default @ 0 Hold 3s to take function
DIMMER CURVE LINEAR		2	3	-	
DIMMER CURVE S-CURVE		4	5	-	
DIMMER CURVE SQUARE LAW		6	7	-	
DIMMER CURVE INVERSE SQUARE LAW		8	9	-	
DIMMER SPEED AUTO		10	11	-	
DIMMER SPEED FAST		12	13	-	
DIMMER SPEED MEDIUM		14	15	-	
DIMMER SPEED SLOW		16	17	-	
LED FREQUENCY 600HZ		18	19	-	
LED FREQUENCY 1200HZ		20	21	-	
LED FREQUENCY 2000HZ		22	23	-	
LED FREQUENCY 4000HZ		24	25	-	
LED FREQUENCY 6000HZ		26	27	-	
LED FREQUENCY 25KHZ		28	29	-	
LED FREQUENCY 36KHZ		30	31	-	
LED FREQUENCY 40KHZ		32	33	-	
DMX FAULT HOLD		34	35	-	
DMX FAULT BLACKOUT		36	37	-	
DMX FAULT STAND ALONE		38	39	-	
DMX FAULT EMERGENCY		40	41	-	
STAND ALONE MASTER DMX		42	43	-	
STAND ALONE MASTER NO DMX		44	45	-	
STAND ALONE SLAVE		46	47	-	
STAND ALONE EFFECTS		48	49	-	
STAND ALONE CCT PRESETS		50	51	-	
STAND ALONE MANUAL WW/CW		52	53	-	
OUTPUT CONTROL CONSTANT		54	55	-	
OUTPUT CONTROL DYNAMIC		56	57	-	
Reserved		58	253	-	
Reset all channel controlled		254	255	-	

## 12 - ACCESSORIES INSTALLATION

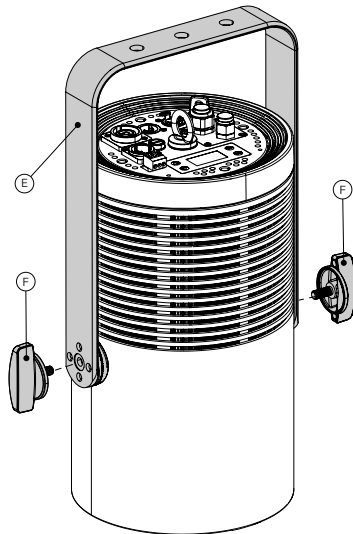
### HANGING BRACKET (CODE ECLPENDJRHGBRKBK/WH - OPTIONAL)

---

1



2



Place fixture on a stable surface.

1. Remove rubber caps (A). Fix spacer disks (B) using the M5 screws (C), in the holes of the unit.
2. Align inner mounting disc (D) and hanging bracket (E) with the previously mounted spacer disks and then insert and rotate knobs (F) clockwise to secure hanging bracket in desired position.

Please turn! ➡

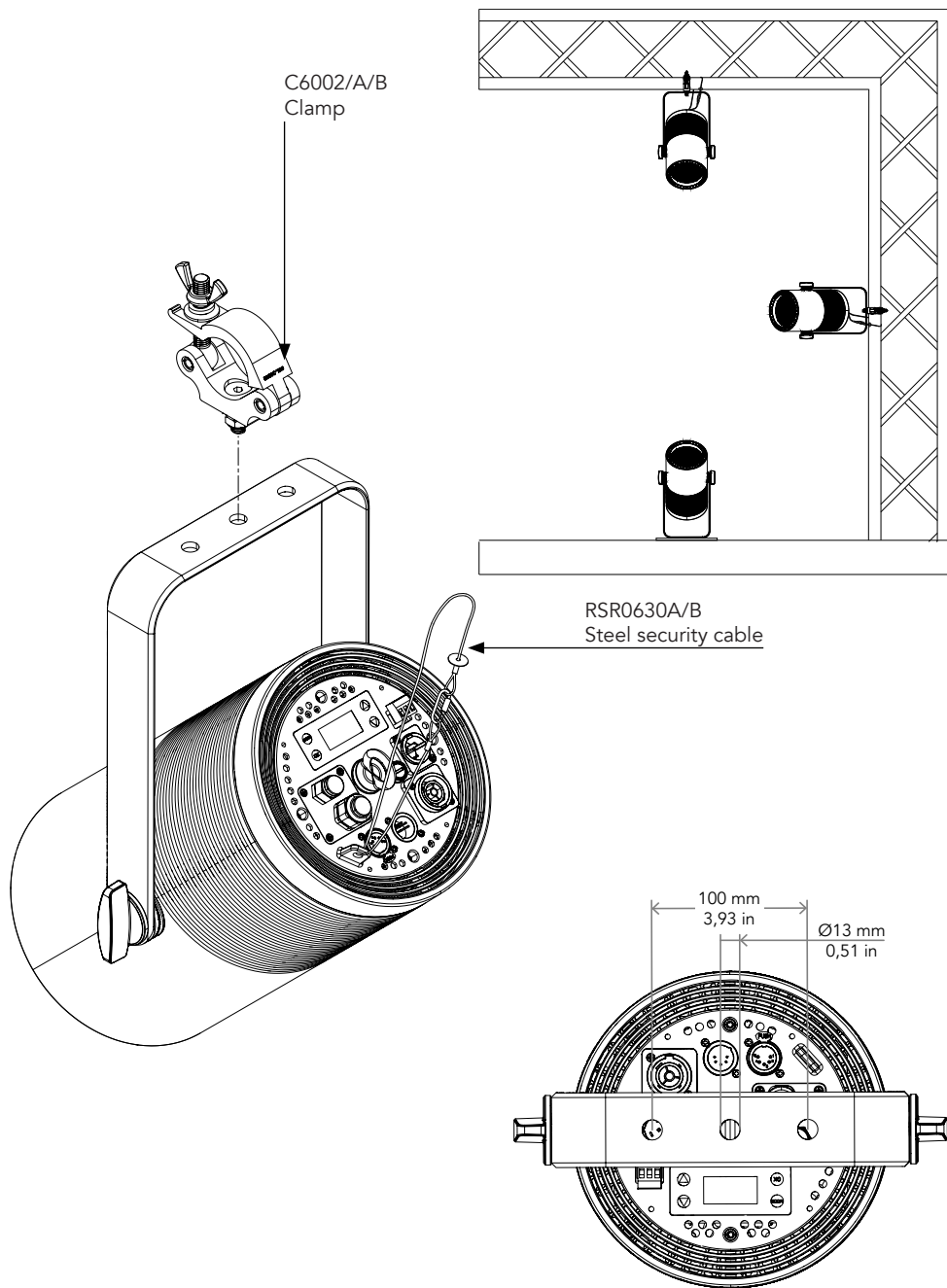
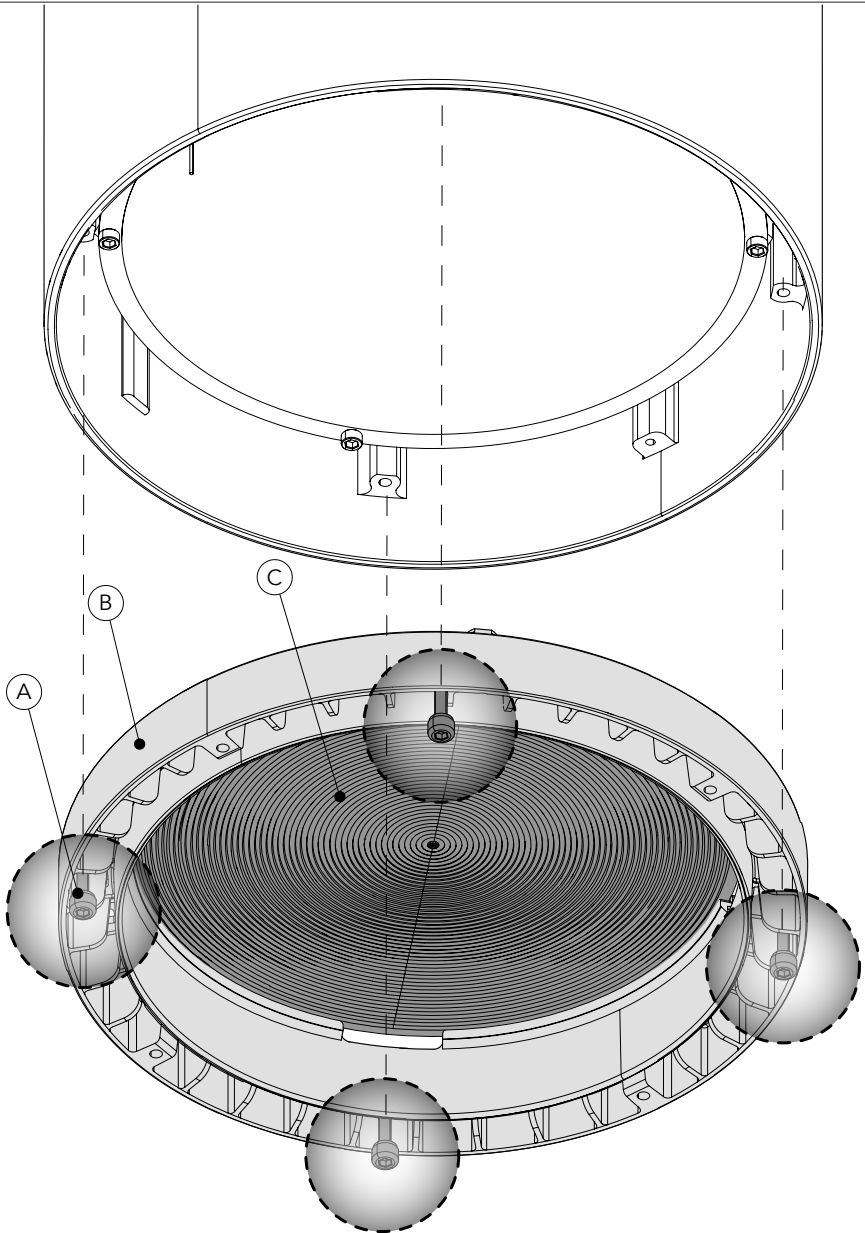


Fig. 11

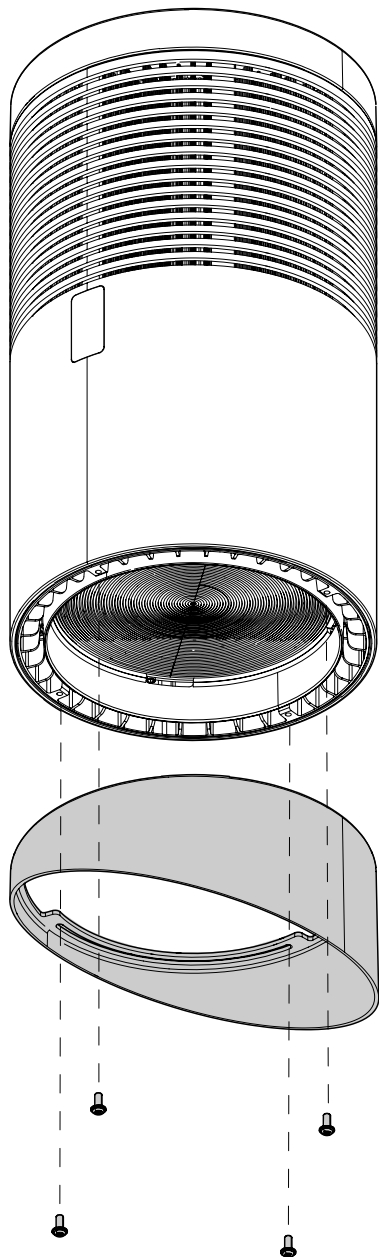


Place fixture on a stable surface.

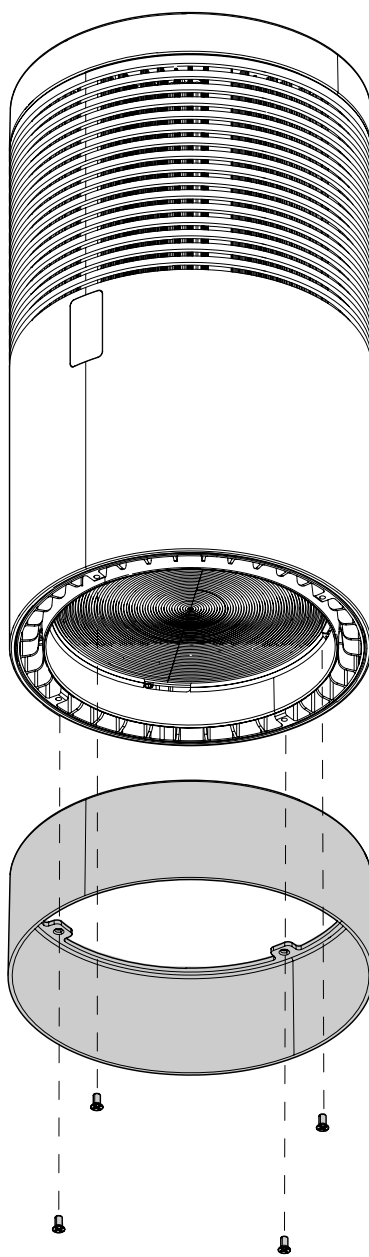
- Loosen the three M4 (A) screws and remove the lens holder frame (B).
- Remove the lens (C) and its reflect cup to insert the desired one.
- Check lens is positioned correctly and then secure lens holder frame.

Fig. 12

1 - HALF SNOOT



2 - FULL SNOOT

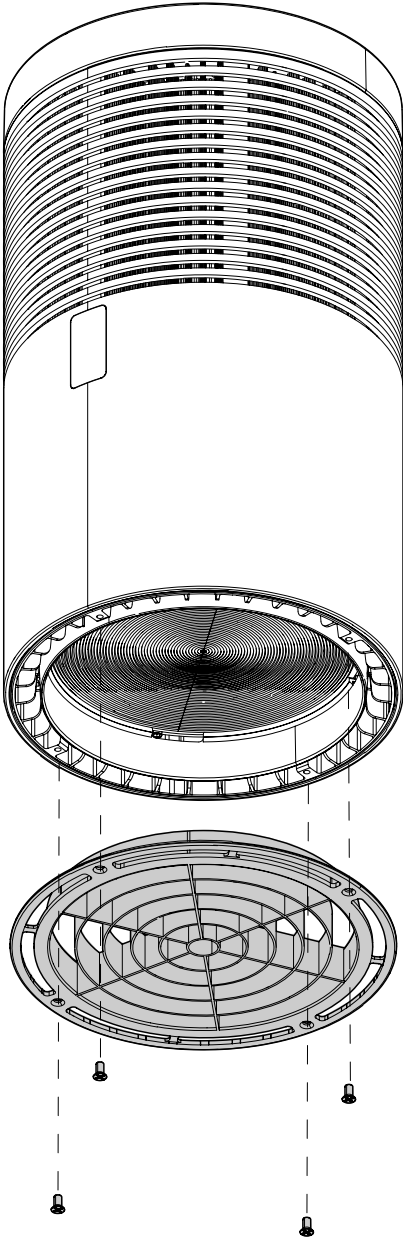


Attach half / full snoot to the fixture lens holder frame and secure with the four M4 screws.

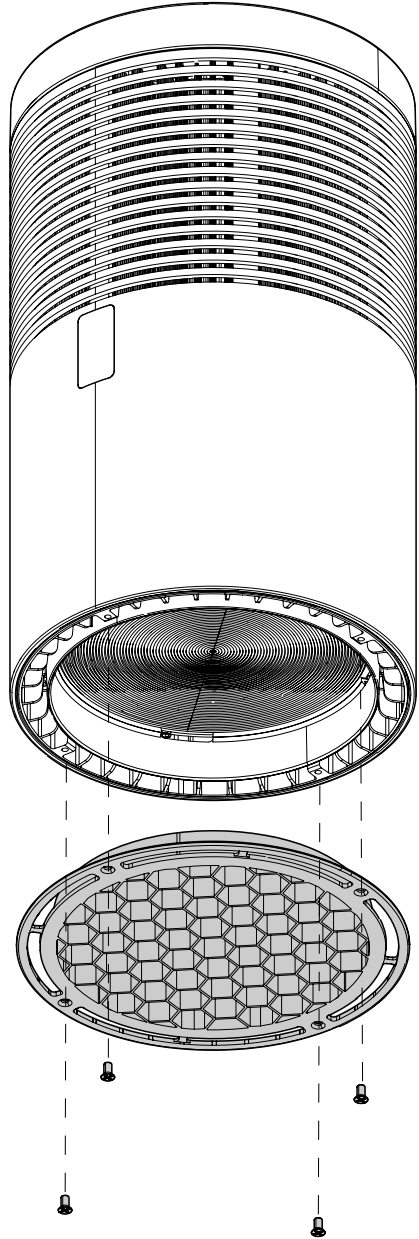
Fig. 13

CONCENTRIC LOUVRE / HONEYCOMB LOUVRE (CODE ECLPENDJRCLOUVREBK / WH,  
ECLPENDHLOUVREBK / WH - OPTIONAL)

1 - LOUVRE



2 - HONEYCOMB

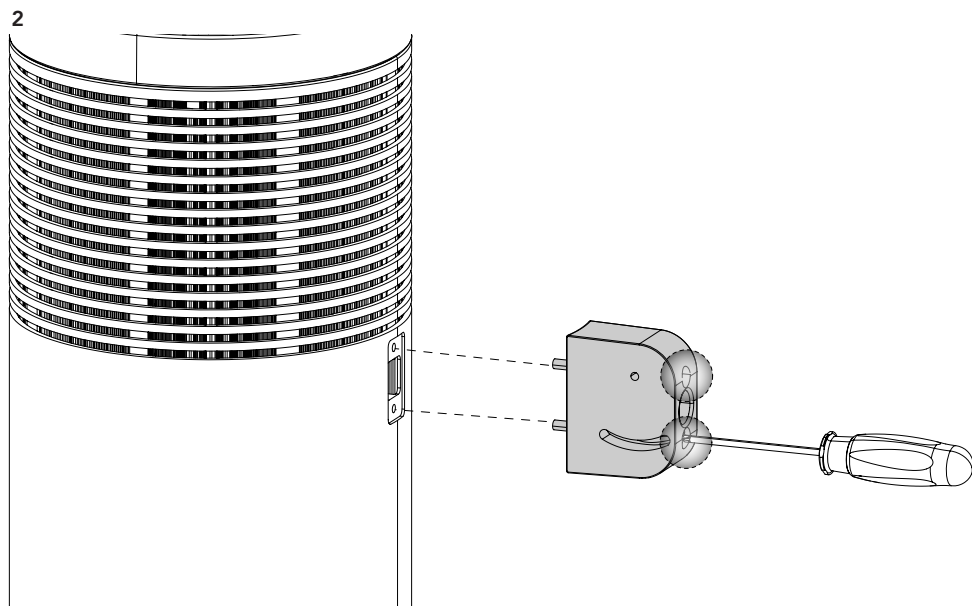
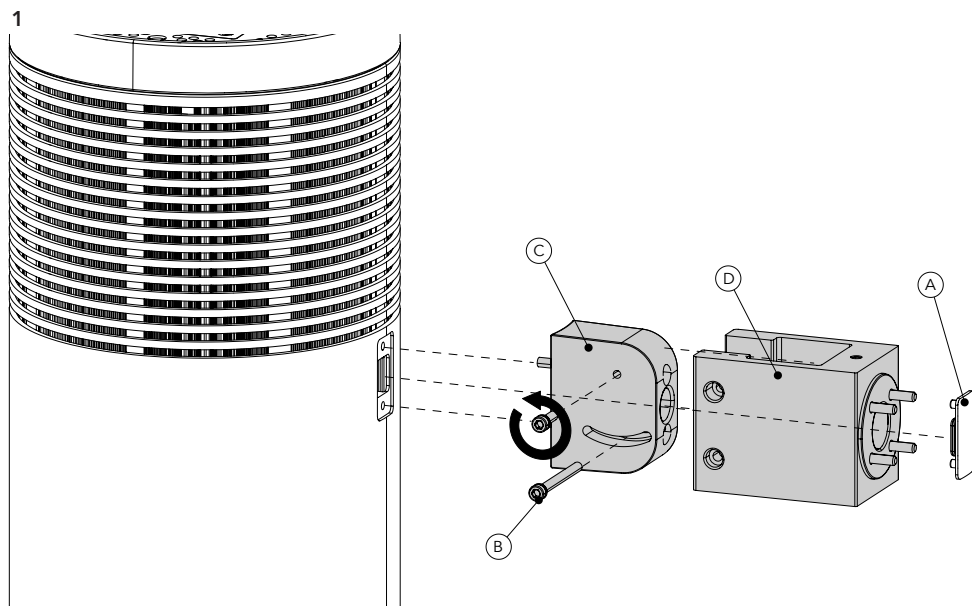


Attach louvre / honeycomb accessory to the fixture lens holder frame and secure with the four M4 screws.

Fig. 14



## WALL MOUNTING BRACKET (CODE ECLPENDWALLBRKBK/WH - OPTIONAL)



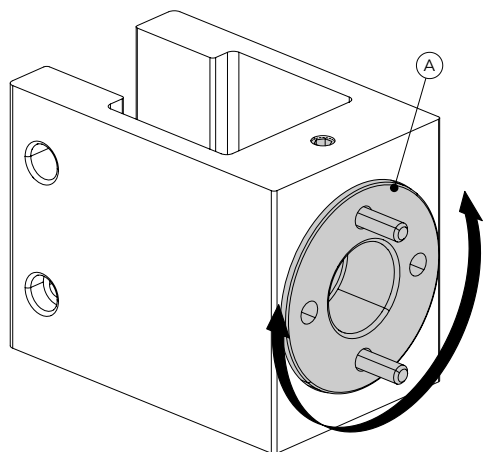
Remove the rubber from the desired side (A).

1. Remove the rubber (A) from the fixture.
2. Unscrew the screws (B) to remove the body (C) from the body (D). Attach the body to the fixture and secure it with the two screws.

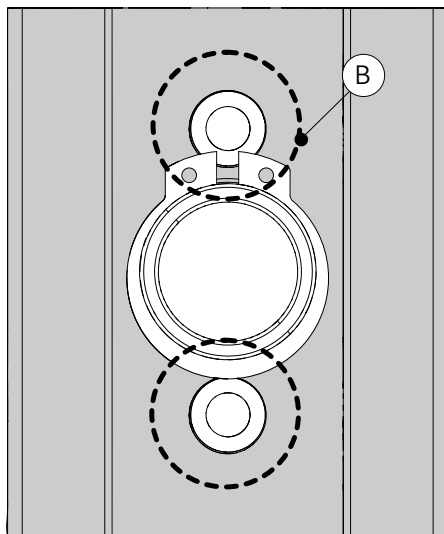
Please turn!



3

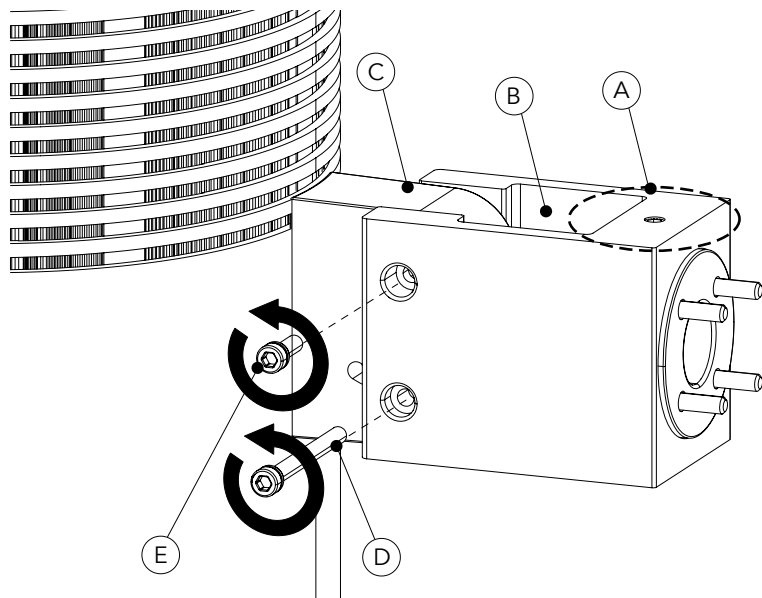


4



Rotate the disc (A) and align the two holes (B). Then insert the screws for wall fixing, and rotate it  $90^\circ$  again and insert the other two screws. Tighten the four screws in total.

5

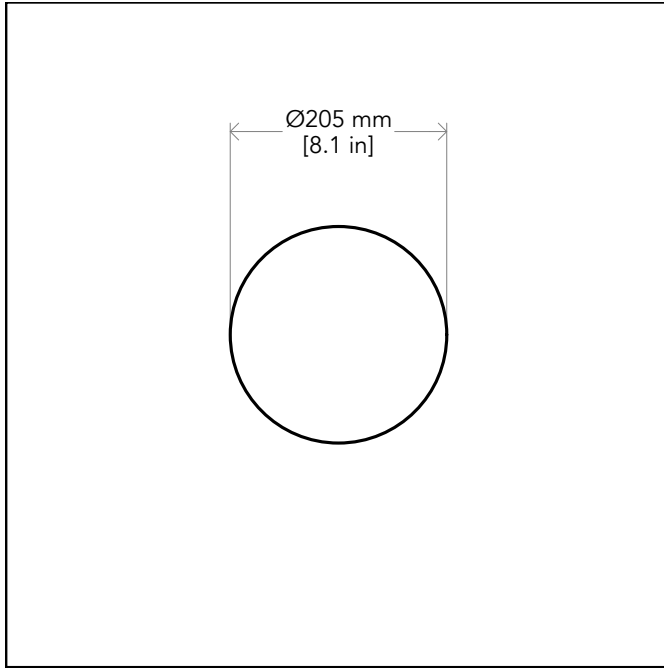


- Tighten the screw (A) to block the horizontal tilt.
  - Attach the two bodies (B-C) and secure it with the two screws (D-E).
- NOTE: use the screw (D) to fix the vertical tilt.

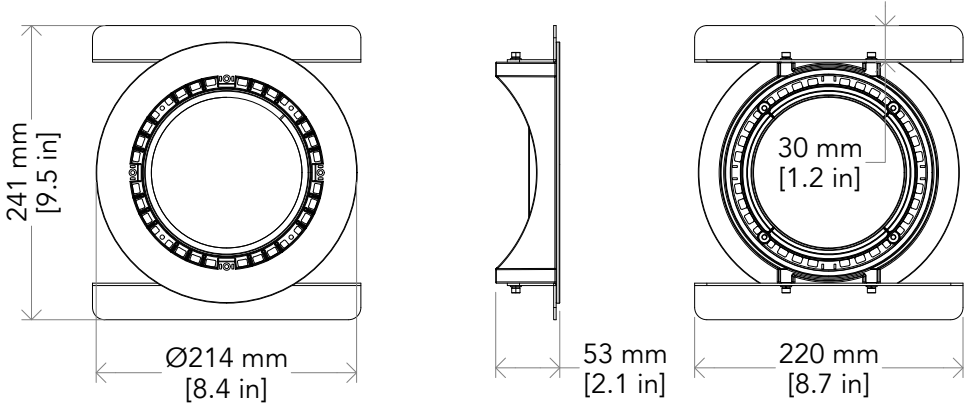
Fig. 15

CEILING RECESSED KIT (CODE ECLPENDJRRECSKITBK/WH - OPTIONAL)

A

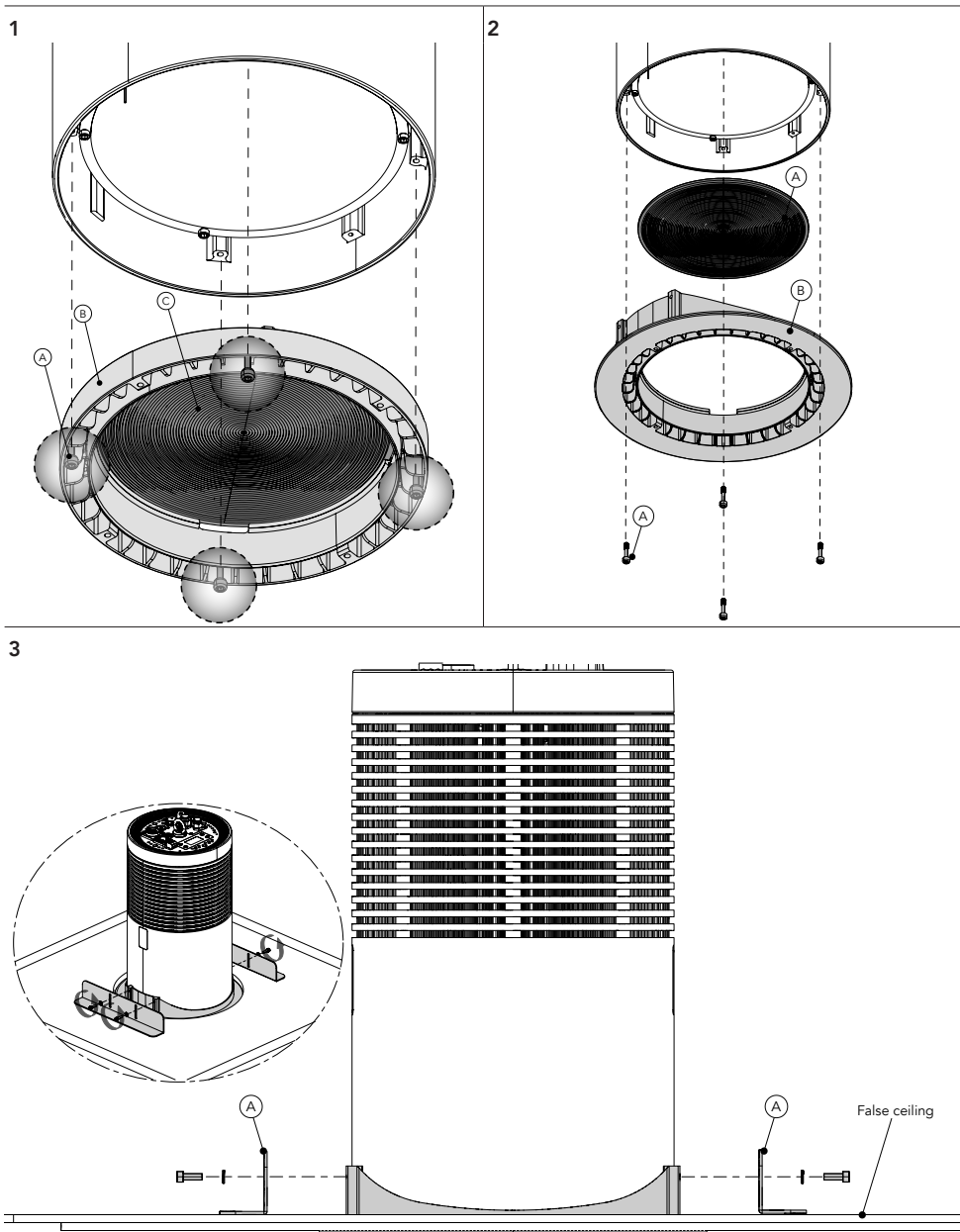


B



Measurements for cuts on the panels (1) and of Ceiling Recessed kit (2).

Please turn! →



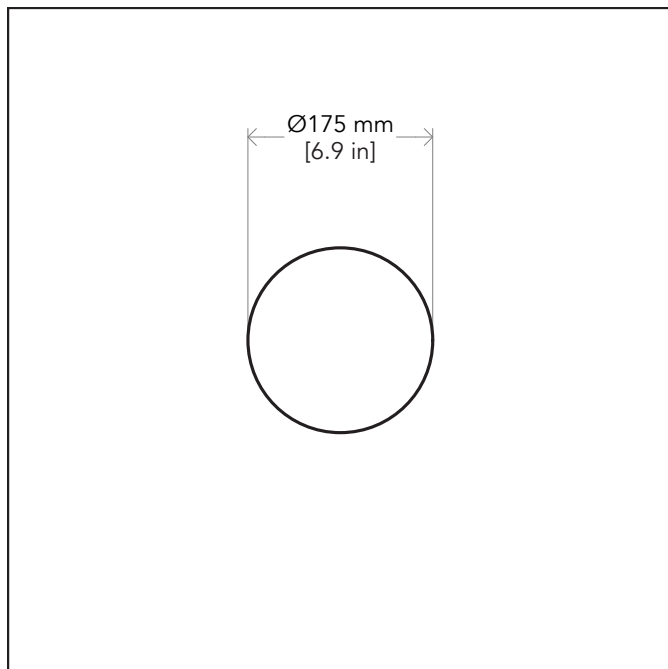
Place fixture on a stable surface.

1. Loosen the four M4 screws (A) and remove the lens holder frame (B), lens (C) and its filter.
2. Mount the lens (A) on the accessory flange Ceiling Recessed kit (B). Attach the accessory flange (B) to the fixture and secure it with the four M4 screws (C).
3. Fix the two parts (A) on the panel and tighten using the screws (B).

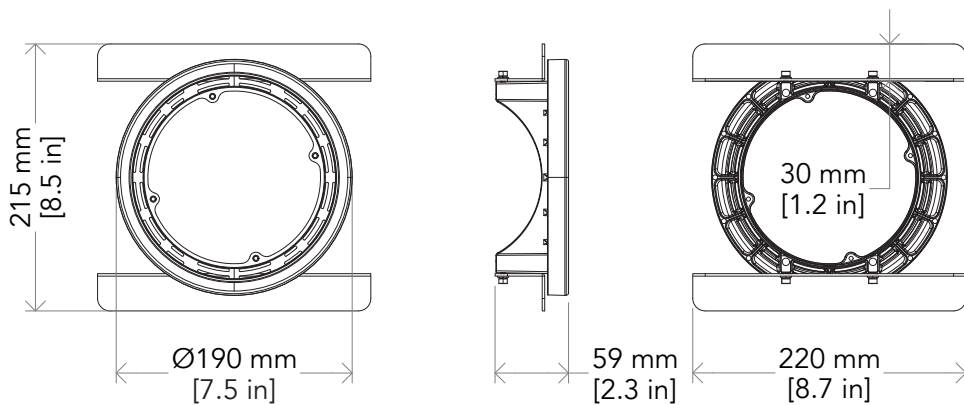
Fig. 16

CEILING-MOUNTED KIT SURFACE (CODE ECLPENDJCEILKITBK/WH - OPTIONAL)

A



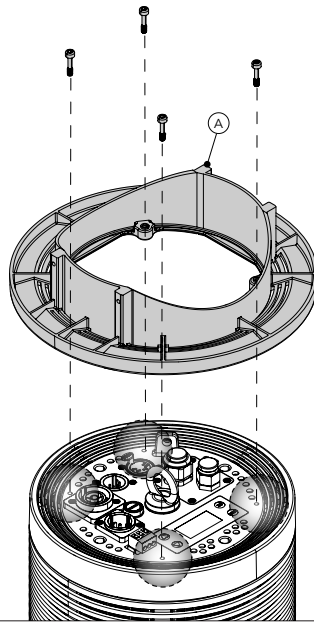
B



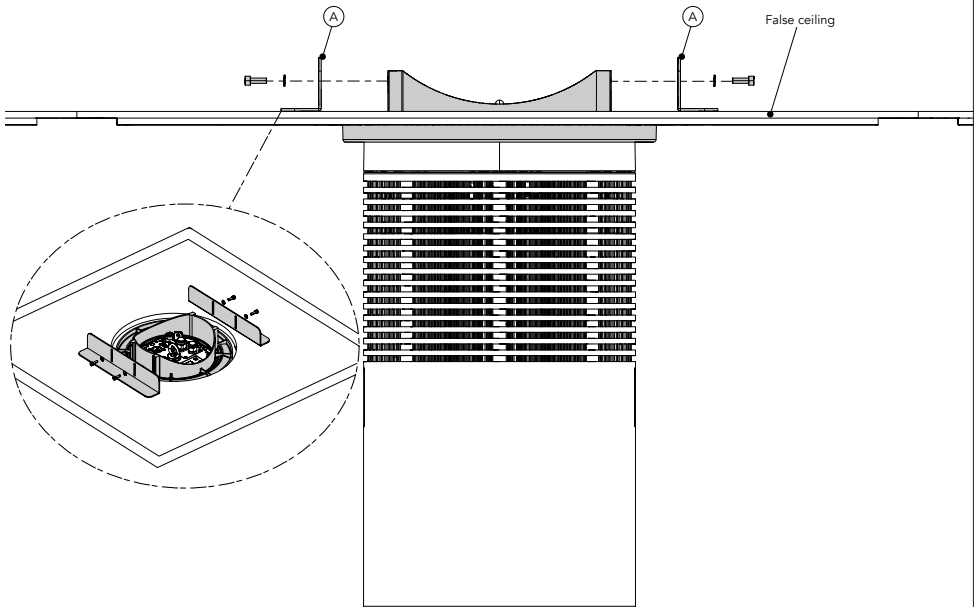
Measurements for cuts on the panels (1) and of Ceiling Mounted kit (2).

Please turn! →

1



2



Place fixture on a stable surface.

1. Attach the accessory flange (A) to the fixture and secure it with the four M4 screws.
2. Fix the two parts (A) on the panel and tighten using the screws.

Fig. 17

# 13 - MAINTENANCE

## MAINTENANCE AND CLEANING THE PRODUCT

**WARNING:** Disconnect from the mains before starting any maintenance work

It is recommended to clean the front at regular intervals, from impurities caused by dust, smoke, or other particles to ensure that the light is radiated at maximum brightness.

- For cleaning, disconnect the main plug from the socket. Use a soft, clean cloth moistened with a mild detergent. Then carefully wipe the part dry. For cleaning other housing parts use only a soft, clean cloth. Never use a liquid, it might penetrate the unit and cause damage to it.
- The user must clean the product periodically to maintain optimum performance and cooling. The user may also upload firmware (product software) to the fixture via the DMX signal input port or USB port using firmware and instructions from PROLIGHTS.
- The frequency of such maintenance operations is to be performed according to various factors, such as the amount of the use and the condition of the installation environment (air humidity, presence of dust, salinity, etc.). It is recommended that the product is subject to annual service by a qualified technician for special maintenance involving at least the following procedures:
  - General cleaning of internal parts.
  - For all the parts subject to friction, using lubricants specifically supplied by PROLIGHTS.
  - General visual check of the internal components, cabling, mechanical parts, etc.
  - Electrical, photometric and functional checks; eventual repairs.
  - Cleaning the lenses. Only use neutral soap and water to clean the lenses, then dry it carefully with a soft, non-abrasive cloth.

**WARNING:** the use of alcohol or any other detergent could damage the lenses.

- All other service operations on the product must be carried out by PROLIGHTS, its approved service agents or trained and qualified personnel.
- It is PROLIGHTS policy to apply the strictest possible calibration procedures and use the best quality materials available to ensure optimum performance and the longest possible component lifetimes. However, optical components are subject to wear and tear over the life of the product, resulting in gradual changes in colours over many thousands of hours of use. The extent of wear and tear depends heavily on operating conditions and environment, so it is impossible to specify precisely whether and to what extent performance will be affected. However, you may eventually need to replace optical components if their characteristics are affected by wear and tear after an extended period of use and if you require fixtures to perform within very precise optical and colour parameters.
- Do not apply filters, lenses or other materials on lenses or other optical components. Use only accessories approved by PROLIGHTS.

## VISUAL CHECK OF PRODUCT HOUSING

- The parts of the product cover/housing should be checked for eventual damages and breaking start at least every two months. In addition, especially the parts of the front lens holder have to be checked mechanically (by means of movement by the part) if it is firmly fastened to the fixture. If hint of a crack is found on some plastic part, do not use the product until the damaged part will be replaced.
- Cracks or another damages of the cover/housing parts can be caused by the product transportation or manipulation and also ageing process may influence materials.
- This checking is necessary for both fixed installations and preparing product for renting. Any free moving parts inside of the product, cracked cover/housing or any part of front lens not sitting properly in place need to be immediately replaced.

## TROUBLESHOOTING

Problems	Possible causes	Checks and remedies
Product doesn't power ON.	<ul style="list-style-type: none"> <li>No power to the product.</li> </ul>	<ul style="list-style-type: none"> <li>Check that power is switched ON and cables are plugged in.</li> </ul>
	<ul style="list-style-type: none"> <li>Fuse blown or internal fault.</li> </ul>	<ul style="list-style-type: none"> <li>Check if the Fuse is intact and eventually replace it if necessary.</li> <li>Contact the PROLIGHTS Service or authorized service partner. Do not remove parts and/or covers, or carry out any repairs or service that are not described in this Safety and User Manual unless you have both authorization from PROLIGHTS and the service documentation.</li> </ul>
Product reset correctly but does not respond correctly to the controller.	<ul style="list-style-type: none"> <li>Bad signal connection.</li> </ul>	<ul style="list-style-type: none"> <li>Inspect connections and cables. Fix eventual bad connections. Repair or replace damaged cables.</li> </ul>
	<ul style="list-style-type: none"> <li>Signal connection not terminated.</li> </ul>	<ul style="list-style-type: none"> <li>Insert DMX termination plug in signal output socket of the last product on the signal line.</li> </ul>
	<ul style="list-style-type: none"> <li>Incorrect addressing of the product.</li> </ul>	<ul style="list-style-type: none"> <li>Check the product address and control settings.</li> </ul>
	<ul style="list-style-type: none"> <li>One of the product is defective and is corrupting the signal transmission on the signal line.</li> </ul>	<ul style="list-style-type: none"> <li>Unplug the XLR in and out connectors and connect them directly together to bypass one product at a time until normal operation is regained. Once found the error, have that fixture serviced by a qualified technician.</li> </ul>
Timeout error after fixture reset.	<ul style="list-style-type: none"> <li>One or more hardware components requires mechanical adjustments.</li> </ul>	<ul style="list-style-type: none"> <li>Check product stored error messages for more information. Contact PROLIGHTS Service or an authorized service partner.</li> </ul>
Mechanical effect loses position.	<ul style="list-style-type: none"> <li>Mechanical hardware require cleaning, adjustment or lubrication.</li> </ul>	<ul style="list-style-type: none"> <li>Check product stored error messages for more information. Contact PROLIGHTS Service or an authorized service partner.</li> </ul>
Light output turn OFF Intermittently.	<ul style="list-style-type: none"> <li>Fixture is too hot.</li> </ul>	<ul style="list-style-type: none"> <li>Check product stored error messages.</li> <li>Allow product to cool.</li> <li>Clean the product and airflow filters.</li> <li>Reduce ambient temperature.</li> </ul>
	<ul style="list-style-type: none"> <li>Hardware failure (temperature sensor, fans, Light source...).</li> </ul>	<ul style="list-style-type: none"> <li>Check product stored error messages for more information. Contact. PROLIGHTS Service or an authorized service partner.</li> </ul>
General low light intensity.	<ul style="list-style-type: none"> <li>Dirty lens assembly.</li> </ul>	<ul style="list-style-type: none"> <li>Clean the fixture regularly.</li> </ul>
	<ul style="list-style-type: none"> <li>Dirty or damaged filters.</li> </ul>	<ul style="list-style-type: none"> <li>Install lens assembly properly.</li> </ul>


Contact an authorized service center in case of technical problems or not reported in the table can not be resolved by the procedure given in the table.











**PROLIGHTS** is a trademark of  
**MUSIC & LIGHTS S.r.l.**  
**musiclights.it**

Via A.Olivetti snc  
04026 - Minturno (LT) ITALY  
Tel: +39 0771 72190

**prolights.it**  
support@prolights.it