



# ARCSPOT XL VW

IP66 Spot featuring 12300 lumen with 61x 4W  
Variable White source, 10° native



---

## USER MANUAL

---

## Thank you for choosing PROLIGHTS

Please note that every PROLIGHTS product has been designed in Italy to meet quality and performance requirements for professionals and designed and manufactured for the use and application as shown in this document.

Any other use, if not expressly indicated, could compromise the good condition/operation of the product and/or be a source of danger.

This product is meant for professional use. Therefore, commercial use of this equipment is subject to the respectively applicable national accident prevention rules and regulations.

Features, specifications and appearance are subject to change without notice. Music & Lights S.r.l. and all affiliated companies disclaim liability for any injury, damage, direct or indirect loss, consequential or economic loss or any other loss occasioned by the use of, inability to use or reliance on the information contained in this document.

Product user manual can be downloaded from the website [www.prolights.it](http://www.prolights.it), or can be inquired to the official PROLIGHTS distributors of your territory ([https://www.prolights.it/sales\\_network.html](https://www.prolights.it/sales_network.html)).

Scanning the below **QR Code**, you will access the download area of the product page, where you can find a broad set of always updated technical documentation: specifications, user manual, technical drawings, photometrics, personalities, fixture firmware updates.



Visit the download area  
of the product page



The PROLIGHTS Logo, PROLIGHTS names and all other trademark in this document pertaining to PROLIGHTS services or PROLIGHTS product are trademarks OWNED or licensed by Music & Lights S.r.l., its affiliates, and subsidiaries. PROLIGHTS is a registered trademark by Music & Lights S.r.l. All right reserved. Music & Lights – Via A. Olivetti, snc - 04026 - Minturno (LT) ITALY.

# INDEX

<b>SAFETY INFORMATION</b>	<b>02</b>
<b>1 - PACKAGING</b>	<b>05</b>
PACKAGE CONTENT .....	05
OPTIONAL ACCESSORIES .....	05
<b>2 - TECHNICAL DRAWING</b>	<b>05</b>
<b>3 - INSTALLATION</b>	<b>06</b>
MOUNTING .....	06
<b>4 - PRODUCT OVERVIEW</b>	<b>07</b>
<b>5 - CONNECTION TO THE MAINS SUPPLY</b>	<b>08</b>
<b>6 - START UP</b>	<b>08</b>
CONNECT AND DISCONNECT POWER FROM THE PRODUCT .....	08
<b>7 - DMX CONNECTION</b>	<b>09</b>
CONNECTION OF THE CONTROL SIGNAL: DMX LINE .....	09
INSTRUCTIONS FOR A RELIABLE DMX CONNECTION .....	09
CONNECTION DAISY CHAIN OF THE DMX LINE .....	09
CONNECTION OF THE DMX LINE .....	10
CONSTRUCTION OF THE DMX TERMINATION .....	10
<b>8 - OPERATION VIA DATAMASTER</b>	<b>11</b>
RDM SETTING .....	11
<b>9 - RDM MENU STRUCTURE</b>	<b>12</b>
<b>10 - RDM FUNCTIONS</b>	<b>14</b>
<b>11 - DMX CHARTS</b>	<b>16</b>
<b>12 - ACCESSORIES INSTALLATION</b>	<b>20</b>
HALF SNOOT (CODE ARXLHSNOOTGY/WH - OPTIONAL) .....	20
HONEYCOMB LOUVRE (CODE ARXLHLOUVREGY/WH - OPTIONAL) .....	21
LENS (CODE ASLENS15/25/45 - OPTIONAL) .....	22
BRACKET FOR WALL MOUNTING AND SUSPENSION ON POLES (CODE MOSUNIBRACKJR) .....	25
<b>13 - MAINTENANCE</b>	<b>26</b>
MAINTENANCE AND CLEANING THE PRODUCT .....	26
VISUAL CHECK OF PRODUCT HOUSING .....	26
<b>14 - TEST OF IP66 RATING</b>	<b>27</b>

# SAFETY INFORMATION



## WARNING!

- See <https://www.prolights.it/product/ARCSPOTXLVW#download> for installation instructions.
- Please read carefully the instruction reported in this section before installing, powering, operating or servicing the product and observe the indications also for its future handling.



**This unit is not for household and residential use, only professional applications.**



## Connection to mains supply

- The Connection to the mains supply must be carried out by a qualified electrical installer.
- Use only AC supplies 100-240V 50-60 Hz, the fixture must be electrically connected to ground (earth).
- Select the cable cross section in according with the maximum current draw of the product and the possible number of products connected at the same power line.
- The AC mains power distribution circuit must be equipped with magnetic+residual current circuit breaker protection.
- Do not connect it to a dimmer system; doing so may damage the product.



## Protection and Warning against electrical shock

- Do not remove any cover from the product, always disconnect the product from AC power before servicing.
- Ensure that the fixture is electrically connected to ground (earth). And use only a source of AC power that complies with local building and electrical codes and has both overload and ground-fault (earth-fault) protection.
- Before using the fixture, check that all power distribution equipment and cables are in perfect condition and rated for the current requirements of all connected devices.
- Isolate the fixture from power immediately if the power plug or any seal, cover, cable, or other components are damaged, defective, deformed or showing signs of overheating.
- Do not reapply power until repairs have been completed.
- Refer any service operation not described in this manual to PROLIGHTS Service team or an authorized PROLIGHTS service center.



## Installation

- Make sure that all visible parts of the product are in good visible condition before its use or installation.
- Make sure the point of anchorage is stable before positioning the projector.
- When suspending the fixture above ground level, secure it against failure of primary attachments by attaching a safety cable that is approved as a safety attachment for the weight of the fixture to the attachment point on the main frame of the product. In case the safety cable, enter in action, it needs to be replaced with a new one.
- Install the product only in well ventilated places.
- For non temporary installations, ensure that the fixture is securely fastened to a load-bearing surface with suitable corrosionresistant hardware.
- For a temporary installation with clamps, ensure that the quarter-turn fastener and/or screws are turned fully, and secured with a suitable safety cable.

⌀ 0,5 m

## Minimum distance of illuminated objects

- TBD

T<sub>a</sub>45°C

## Max operating ambient temperature (T<sub>a</sub>)

- TBD

**T<sub>a</sub>-10°C**

**Minimum operating ambient temperature (T<sub>a</sub>)**

- TBD



**Protection from burns and fire**

- The exterior of the fixture becomes hot during use. Avoid contact by persons and materials.
- Ensure that there is free and unobstructed airflow around the fixture.
- Keep flammable materials well away from the fixture
- Do not expose the front glass to sunlight or any other strong light source from any angle. Lenses can focus the sun's rays inside the fixture, creating a potential fire hazard.
- Do not attempt to bypass thermostatic switches or fuses.

**IP65**

**Permanent Outdoor use**

- This product is rated with an IP (Ingress protection) for permanent outdoor use when used and serviced according to the instruction contained in this document.
- Never use the fixture in places subject to vibrations or bumps.
- Make certain that no inflammable liquids, water or metal objects enter the fixture.
- Excessive dust, smoke fluid, and particle build up degrades performance, causes overheating and will damage the fixture.
- Damages caused by inadequate cleaning or maintenance are not covered by the product warranty.

**T<sub>c</sub>70°C**

**Temperature of the external surface**

- TBD



**Maintenance**

- Warning! Disconnect the fixture from AC mains power and allow to cool for at least 10 minutes before handling.
- Only technicians who are authorized by PROLIGHTS or Authorised service partners are permitted to open the fixture.
- Users may carry out external cleaning, following the warnings and instructions provided, but any service operation not described in this manual must be referred to a qualified service technician.
- Important! Excessive dust, smoke fluid, and particle build up degrades performance, causes overheating and will damage the fixture. Damages caused by inadequate cleaning or maintenance is not covered by the product warranty.



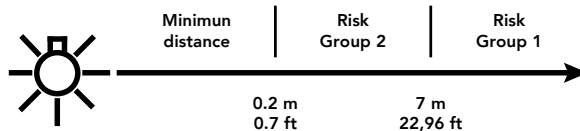
**Photobiological safety**

- TBD



**Do not stare at the operating light source**

- TBD





#### **Disposal**

- This product is supplied in compliance with European Directive 2012/19/EU – Waste Electrical and Electronic Equipment (WEEE). To preserve the environment please dispose/ recycle this product at the end of its life according to the local regulation.



#### **The products to which this manual refers comply with:**

- 2014/35/EU - Safety of electrical equipment supplied at low voltage (LVD).
- 2014/30/EU - Electromagnetic Compatibility (EMC).
- 2011/65/EU - Restriction of the use of certain hazardous substances (RoHS).



#### **The products to which this manual refers comply with:**

- UL 1573 + CSA C22.2 No. 166 - Stage and Studio Luminaires and Connector Strips.
- UL 1012 + CSA C22.2 No. 107.1 - Standard for power units other than class 2.



#### **FCC Compliance:**

- This device complies with Part 15 of the FCC Rules. Operation is subject to the following two conditions:
  1. This device may not cause harmful interference, and
  2. This device must accept any interference received, including interference that may cause undesired operation.

# 1 - PACKAGING

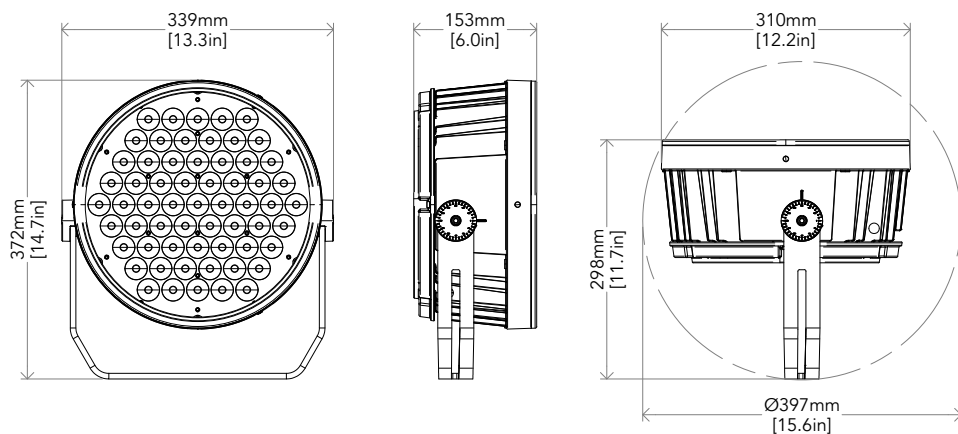
## PACKAGE CONTENT

- 1x ARCSPOTXLWW.
- User Manual.

## OPTIONAL ACCESSORIES

Check the updated accessories list, description and informations of the product at the following link:  
<https://www.prolights.it/product/ARCSPOTXLWW#accessories>

# 2 - TECHNICAL DRAWING



Weight: 11,9 kg - 26,23 lbs

Fig. 01

# 3 - INSTALLATION

## MOUNTING

Check that the supporting structure can safely bear the weight of all installed fixtures, clamps, cables, auxiliary equipment, etc. and complies with locally applicable regulations.

When suspending the fixture above ground level, secure it against failure of primary attachments by attaching a safety wire that is approved as a safety attachment for the weight of the fixture to an anchor point on the product main frame.

Do not use removable parts or weak anchors for secondary attachment.

Warning! When clamping the fixture to a truss or other structure at any angle, use clamps of half-coupler type. Do not use any type of clamp that does not completely encircle the structure when fastened.

**NOTE:** In external installations it is advisable to mount the product with the cables facing downwards to avoid water or humidity deposits which can compromise functionality in the long term.

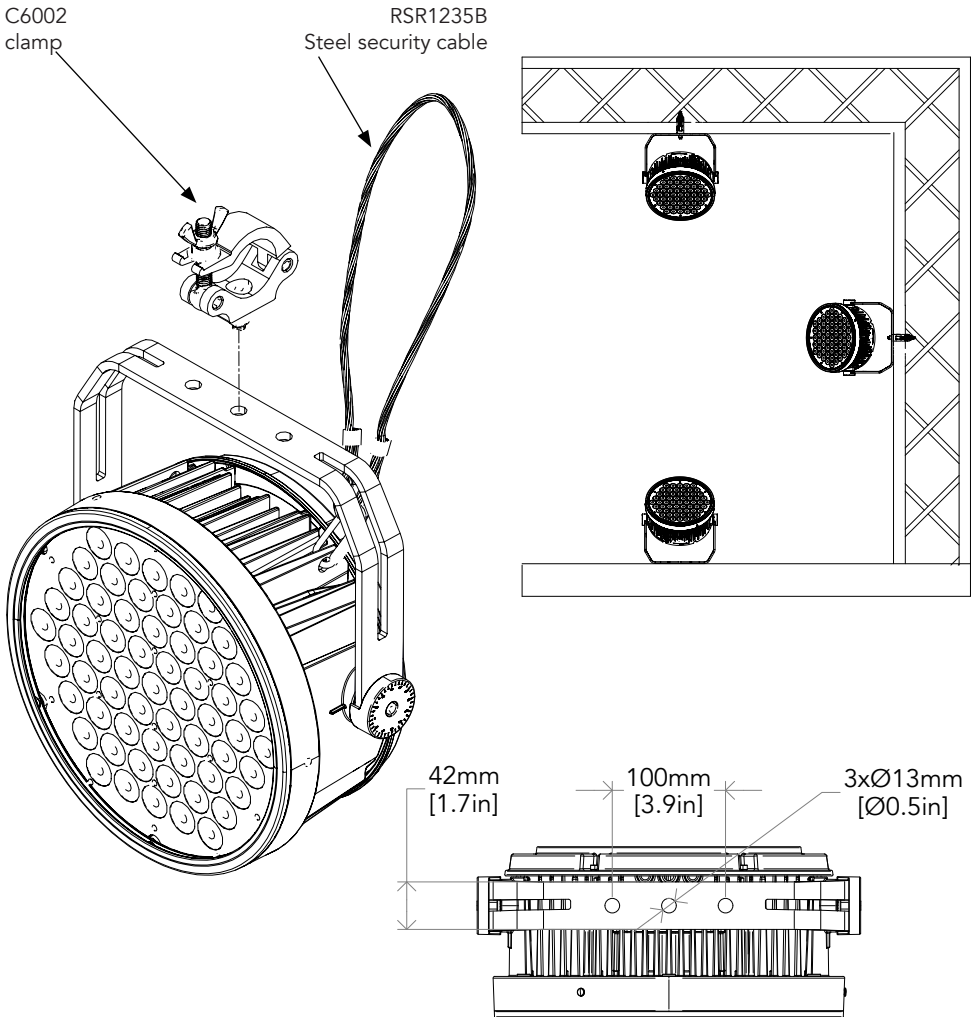


Fig. 02



## 4 - PRODUCT OVERVIEW

1. ADJUSTABLE YOKE: to install the fixture.
2. SAFETY EYES: to attach safety cable.
3. GORE VALVE.
4. DMX IN (4-p XLR): 1 = GND, 2 = sign-, 3 = sign+, 4 N/C, 5.
5. POWER IN: for connection to the Mains 100-240V~/50-60Hz.
6. DMX OUT (4-p XLR): 1 = GND, 2 = sign-, 3 = sign+, 4 N/C, 5.

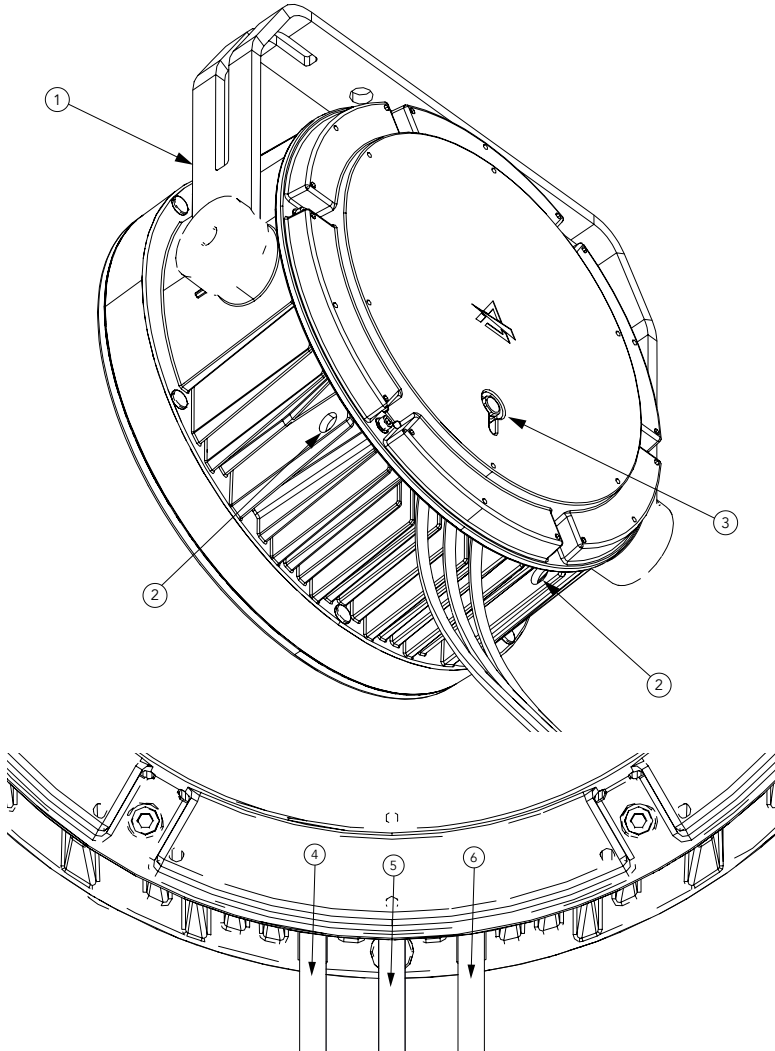


Fig. 03


## 5 - CONNECTION TO THE MAINS SUPPLY

**WARNING:** For protection from electric shock, the fixture must be earthed!

The product is equipped with auto-switching power supply that automatically adjusts to any 50-60Hz AC power source from 100-240 Volts (max absolute range : 90- 264V).

If you need to install a power plug on the power cable to allow connection to power outlets, install a grounding-type (earthed) plug, following the plug manufacturer's instructions. If you have any doubts about proper installation, consult a qualified electrician.

The max power consumption is 230W.

Core (EU)	Core (US)	Connection	Plug terminal marking
Brown	Black	Live	L
Blue	White	Neutral	N
Yellow+green	Green	Earth	

## 6 - START UP

### CONNECT AND DISCONNECT POWER FROM THE PRODUCT

To apply and disconnect power to the product:

- Check that the product is installed and secured as indicated in the Safety Informations, and that personal safety will not be put at risk when the fixture lights up.
- Connect the power connector into the Mains input socket (100-240 VAC-50/60 Hz).
- The product is then ready for its operations and can be controlled through the available input signals on board.
- To disconnect power from the product, disconnect the Mains from the socket.

## 7 - DMX CONNECTION

### CONNECTION OF THE CONTROL SIGNAL: DMX LINE

The product has connectors for DMX input and output.

The default pin-out on both connectors is as the following diagram:



Fig. 06

### INSTRUCTIONS FOR A RELIABLE DMX CONNECTION

Use shielded twisted-pair cable designed for RS-485 devices: standard microphone cable cannot transmit control data reliably over long runs. 24 AWG cable is suitable for runs up to 300 meters (1000 ft). Heavier gauge cable and/or an amplifier is recommended for longer runs.

To split the data link into branches, use splitter-amplifiers in the connection line.

Do not overload the link. **Up to 32 devices may be connected on a serial link.**

**NOTE:** To connect the unit to your DMX network, it is necessary to use the adapters XLR 5 pin-IP67 signal connector, supplied with this product.

### CONNECTION DAISY CHAIN OF THE DMX LINE

Connect the DMX data output from the DMX source to the product DMX input (male connector).

Run the data link from the product DMX output (female connector) connector to the DMX input of the next fixture.

Terminate the data link by connecting a 120 Ohm signal termination.

The termination is prepared by 120Ω 1/4 W resistor between pins 2 and 3 of the male DMX connector. Install a DMX termination plug on the last fixture on the link. If a splitter is used, terminate each branch of the link.

**NOTE:** when not using the DMX input or DMX output connectors, you must seal the cable ends with the supplied caps.

### CONNECTION OF THE DMX LINE

DMX connection employs standard XLR connectors. Use shielded pair-twisted cables with 120Ω impedance and low capacity.

The following diagram shows the connection mode:

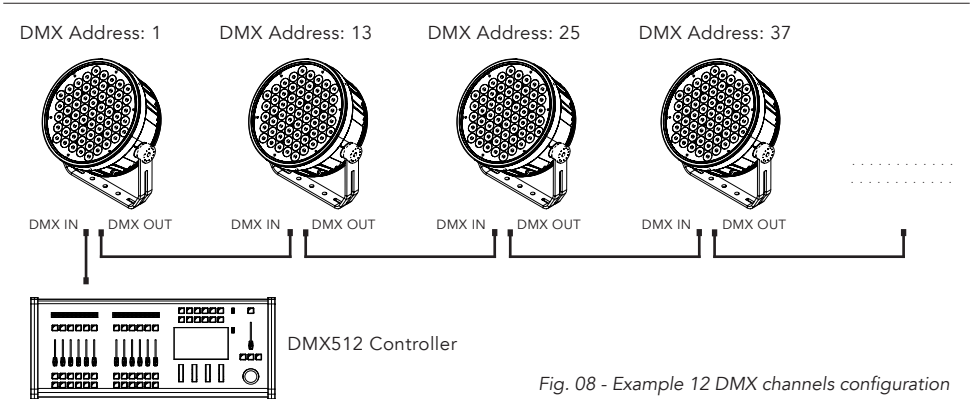
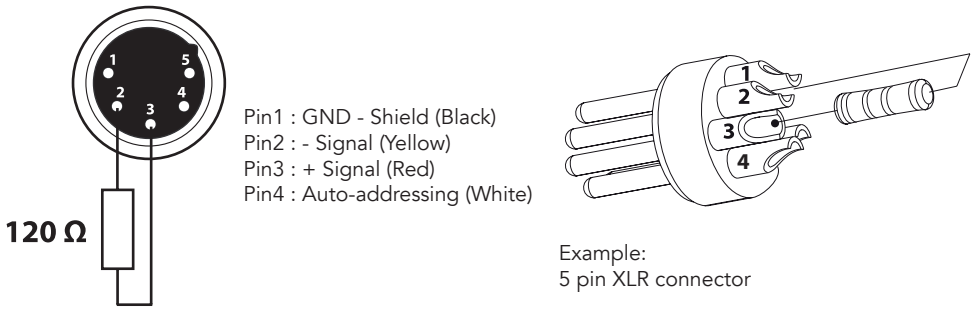


Fig. 08 - Example 12 DMX channels configuration

### CONSTRUCTION OF THE DMX TERMINATION

The termination is prepared by soldering a 120Ω 1/4 W resistor between pins 2 and 3 of the male XLR connector, as shown in figure.



Example:  
5 pin XLR connector

Fig. 07

## 8 - OPERATION VIA DATAMASTER

The unit uses a DATAMASTER for configuration purposes. The diagram below shows how to connect the DATAMASTER to this product. This connection will control multiple products at the same time. To set different Stand Alone mode on different product, you must connect the DATAMASTER to each product, individually.

However, by using the DATAMASTER, you may address each product in the daisy chain to a different DMX address by using the RDM function without the need connect to each individual product. Important: The DATAMASTER must be used to configure this product.

MUSIC & LIGHTS suggests that you connect no more than 11 units in this mode and keep the total distance to less than 60 m (197 ft). Otherwise, you might need to use an RDM optically isolated signal amplifier.

### RDM SETTING

To set the RDM functions with the DATAMASTER follow these steps:

- Turn on the DATAMASTER;
- Select the "RDM" function;
- Wait the discovering of all units;
- Select the desired unit and press ENTER button;
- Change the value of the desired function.

For the operating procedure, refer to the DATAMASTER user manual.

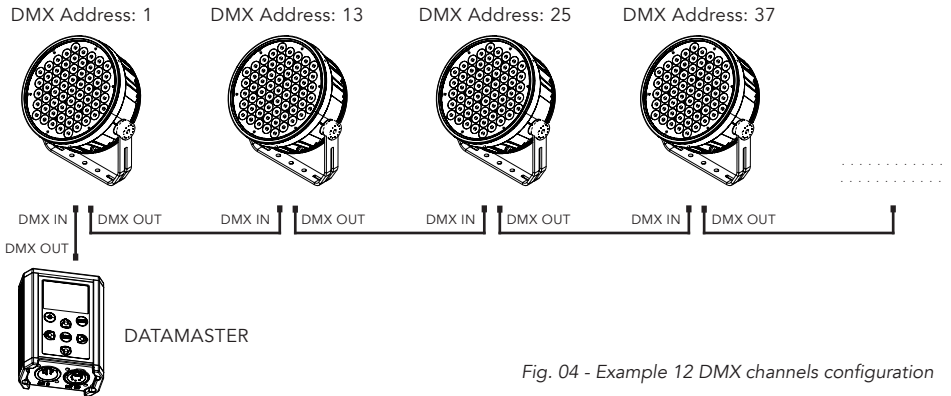


Fig. 04 - Example 12 DMX channels configuration

Fig. 08

## 9 - RDM MENU STRUCTURE

The following chart describes the MENU tree of the product, the terms shown in **BOLD** indicates the default settings.

N°	MENU	LEVEL 1	LEVEL 2	LEVEL 3	DESCRIPTION
1	DMX ADDRESS	001 - 512			Set address used for Fixture.
2	DMX MODE	2CH			Set DMX chart for Main Fixture.
		3CH			
		<b>4CH1</b>			
		4CH2			
		9CH			
3	DIMMER CURVE	LINEAR			Select Dimmer curve.
		S-CURVE			
		<b>SQUARE LAW</b>			
		INVERSE SQUARE LAW			
4	DIMMER SPEED	AUTO			Select Dimmer speed.
		FAST			
		MEDIUM			
		SLOW			
		OFF			
5	LED FREQUENCY	600Hz			Select LED PWM frequency.
		<b>1200Hz</b>			
		2000Hz			
		4000Hz			
		6000Hz			
		25kHz			
6	DMX FAULT	HOLD			Define the behaviour of fixture in case of DMX signal lost.
		BLACKOUT			
		<b>STAND ALONE</b>			
7	INFORMATIONS	DEVICE TIME	FIXTURE HOURS	TOTAL	To check the total working hours of the unit.
				PARTIAL (RESET)	
		CURRENT HOURS	TOTAL	To check the current working hours of the unit.	
			PARTIAL (RESET)		
		SOURCE HOURS	TOTAL	To see the total operating hours of the LED source.	
			PARTIAL (RESET)		
		POWER ON CYCLE	TOTAL	To see the power cycles of the machine.	
			PARTIAL (RESET)		
		MAINTENANCE TIME	ELAPSED TIME	To choose and reset unit maintenance warning hours.	
			ALERT PERIOD		
		POWER CONSUMPTION		Show actual power consumption.	
		TEMPERATURE	NEAR SOURCE TEMP, DRIVER PCB TEMP, LED PCB TEMP,...	To see the unit temperature.	
		SOFTWARE VERSION		View informations about software version.	
DEVICE INFO		View informations about device.			
DEVICE LABEL		Show RDM Device label.			
RDM UID		View ID for the RDM control.			

N°	MENU	LEVEL 1	LEVEL 2	LEVEL 3	DESCRIPTION	
8	STAND ALONE	MASTER/SLAVE	MASTER DMX		Allow you to link and operating in synk multiple units without a DMX console. Choose a unit to perform as the Master. This unit must be the first unit in line; Set the successive units to be slave.	
			MASTER NO DMX			
			<b>SLAVE</b>			
		EFFECTS	<b>EFFECT 1</b>	SPEED:1-100		Effects modes allows creation and editing of 5 effects maximum. Each effect contains up to 20 colors, a Main Dimmer and a Main Strobe.
			...			
			EFFECT 5			
		STATIC COLORS	RED	DIMMER:0-255		Select of the following predefined color combination and its Dimmer value. After enabled this mode, the unit will be automatically assigned as Master.
			...			
			<b>FULL</b>			
		COLOR MACRO	SEE COLOR MACRO PAGE			
		WHITE PRESETS	2700K	DIMMER:0-255		
			2800K			
			30000K			
			<b>3200K</b>			
4000K						
5600K						
6000K						
6500K						
MANUAL	WARM WHITE	DIMMER:0-255		User generated color preset by assigning values to each primary color attribute.		
	COLD WHITE	DIMMER:0-255		After enabled this mode, the unit will be automatically assigned as Master.		
9	FACTORY DEFAULT	-				

# 10 - RDM FUNCTIONS

The product can communicate using RDM (Remote Device Management) protocol over a DMX512 Networks.

RDM is a bi-directional communications protocol for use in DMX512 control systems, it is the open standard for DMX512 device configuration and status monitoring.

The RDM protocol allows data packets to be inserted into a DMX512 data stream without affecting existing non-RDM equipment. It allows a console or dedicated RDM controller to send commands to and receive messages from specific fixtures.

The PIDs in the following tables are supported in the product.

RDM is also available on Wireless and Tiny's Downstead must be enabled in its custom PIDs to work.

Category	Parameter	Value	GET	SET
<b>Product Information</b>	SUPPORTED_PARAMETERS	0x0050	x	
	PARAMETER_DESCRIPTION	0x0051	x	
	PRODUCT_DETAIL_ID_LIST	0x0070	x	
	DEVICE_MODEL_DESCRIPTION	0x0080	x	
	MANUFACTURER_LABEL	0x0081	x	
	DEVICE_LABEL	0x0082	x	x
	FACTORY_DEFAULTS	0x0090	x	x
<b>DMX512 Setup</b>	DMX_PERSONALITY	0x00E0	x	x
	DMX_PERSONALITY_DESCRIPTION	0x00E1	x	
	DMX_START_ADDRESS	0x00F0	x	x
	SLOT_INFO	0x0120	x	
	SLOT_DESCRIPTION	0x0121	x	
	DEFAULT_SLOT_VALUE	0x0122	x	
<b>Sensors</b>	SENSOR_DEFINITION	0x0200	x	
	SENSOR_VALUE	0x0201	x	x
	CURVE	0x0343	x	x
	CURVE_DESCRIPTION	0x0344	x	x
	OUTPUT_RESPONSE_TIME	0x0345	x	x
	OUTPUT_RESPONSE_TIME_DESCRIPTION	0x0346	x	
	MODULATION_FREQUENCY	0x0347	x	x
	MODULATION_FREQUENCY_DESCRIPTION	0x0348	x	
<b>Power/Lamp Settings</b>	DEVICE_HOURS	0x0400	x	x
	LAMP_HOURS	0x0401	x	x
	LAMP_STRIKES	0x0402	x	x
	LAMP_STATE	0x0403	x	x
	LAMP_MODE	0x0404	x	x
	DEVICE_POWER_CYCLES	0x0405	x	x



### Manufacturer Specific PIDs

Parameter	PID	GET	SET	Value	Description
DMX FAULT	0x82DD	x	x	0-2	0: Hold 1: Blackout <b>2: Stand Alone</b>
MASTER/SLAVE	0x8211	x	x	0-2	0: Master DMX 1: Master NO DMX <b>2: Slave</b>
STAND ALONE MODE	0x82EC	x	x	0-3	0: S.A. EFFECTS 1: S.A. FIXED COLOR <b>2: S.A. WHITE PRESET</b> 3: S.A. MANUAL COLORS
EFFECTS	0x8209	x	x	1-5	<b>DEFAULT: 1</b>
EFFECTS SPEED	0x8210	x	x	1-100	<b>DEFAULT: 100</b>
FIXED COLOR	0x82BE	x	x	1-3	1: WARM WHITE 2: COLD WHITE <b>3: FULL</b>
WHITE PRESET	0x82BF	x	x	1-8	1: 2700K 2: 2800K 3: 3000K <b>4: 3200K</b> 5: 4000K 6: 5600K 7: 6000K 8: 6500K
MANUAL WARM WHITE	0x82FE	x	x	0-255	<b>DEFAULT: 255</b>
MANUAL COLD WHITE	0x82FF	x	x	0-255	<b>DEFAULT: 255</b>
WHITE BALANCE WW	0x82C6	x	x	0-255	<b>DEFAULT: 255</b>
WHITE BALANCE CW	0x82C7	x	x	0-255	<b>DEFAULT: 255</b>
CURRENT HOURS	0x82C5	x		0-1	
POWER CONSUMPTION(AC 220V)	0x82EF	x		0-1	
MAINTENANCE TIME:ALERT PERIOD	0x82DF	x	x	10-300	<b>DEFAULT: 300</b>
MAINTENANCE TIME:ELAPSED TIME	0x82E0	x	x	0-1	<b>DEFAULT: 0</b>
ERROR MESSAGES	0x82EA	x		0-1	0: No Error
CLEAN ALL DATA	0x82C8	x	x	0-1	<b>0: No</b> 1: Yes

# 11 - DMX CHARTS

RDM Model ID: 0xD138

## RDM Personality ID List

ID	DMX Mode	Footprint
1	2CH	2CH
2	3CH	3CH
3	4CH1	4CH1
4	4CH2	4CH2
5	9CH	9CH

PARAMETER	MODE				
	2CH	3CH	4CH1	4CH2	9CH
DIMMER	1		1	1	1
DIMMER FINE				2	2
STROBE					3
CCT	2			3	4
CROSSFADE					5
WARM WHITE		1	2		6
COLD WHITE		2	3		7
RESERVED		3	4	4	8
CONTROL					9

**Dimmer**

Function	8 bit value		16 bit value		Note
	From	To	From	To	
DIMMER	0	255	0	65535	Default @ 0

**Strobe**

Function	8 bit value		16 bit value		Note
	From	To	From	To	
OPEN	0	1	-	-	Default @ 255
STROBE FROM SLOW TO FAST	2	62	-	-	
OPEN	63	64	-	-	
PULSE IN FROM SLOW TO FAST	65	125	-	-	
CLOSE	126	127	-	-	
PULSE OUT FROM SLOW TO FAST	128	188	-	-	
OPEN	189	190	-	-	
RANDOM FROM SLOW TO FAST	191	251	-	-	
OPEN	252	255	-	-	

**CCT**

Function		8 bit value		16 bit value		Note
From	To	From	To	From	To	
2700	2800	0	7	-	-	Default @ 0
2800	2900	7	13	-	-	
2900	3000	13	20	-	-	
3000	3100	20	27	-	-	
3100	3200	27	34	-	-	
3200	3300	34	40	-	-	
3300	3400	40	47	-	-	
3400	3500	47	54	-	-	
3500	3600	54	60	-	-	
3600	3700	60	67	-	-	
3700	3800	67	74	-	-	
3800	3900	74	81	-	-	
3900	4000	81	87	-	-	
4000	4100	87	94	-	-	
4100	4200	94	101	-	-	
4200	4300	101	107	-	-	
4300	4400	107	114	-	-	
4400	4500	114	121	-	-	
4500	4600	121	128	-	-	
4600	4700	128	134	-	-	
4700	4800	134	141	-	-	
4800	4900	141	148	-	-	
4900	5000	148	154	-	-	

**CCT**

Function		8 bit value		16 bit value		Note
From	To	From	To	From	To	
5000	5100	154	161	-	-	Default @ 0
5100	5200	161	168	-	-	
5200	5300	168	174	-	-	
5300	5400	174	181	-	-	
5400	5500	181	188	-	-	
5500	5600	188	195	-	-	
5600	5700	195	201	-	-	
5700	5800	201	208	-	-	
5800	5900	208	215	-	-	
5900	6000	215	221	-	-	
6000	6100	221	228	-	-	
6100	6200	228	235	-	-	
6200	6300	235	242	-	-	
6300	6400	242	248	-	-	
6400	6500	248	255	-	-	

**Crossfade from CCT to WW/CW**

Function	8 bit value		16 bit value		Note
	From	To	From	To	
LINEAR CROSSFADE	0	255	-	-	Default @ 0

**Warm White**

Function	8 bit value		16 bit value		Note
	From	To	From	To	
DIMMER	0	255	0	-	Default @ 255

**Cold White**

Function	8 bit value		16 bit value		Note
	From	To	From	To	
DIMMER	0	255	0	65535	Default @ 255

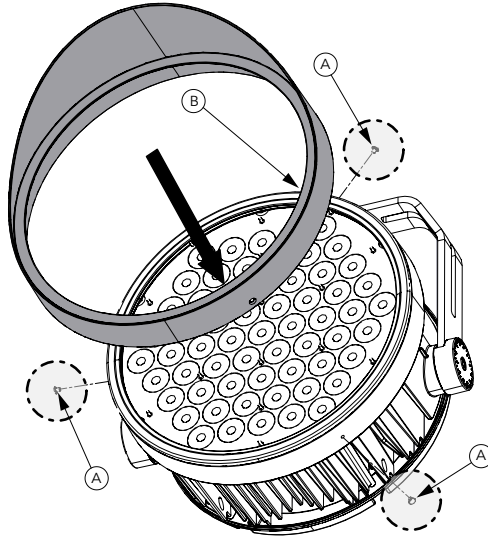
Function	Control				Note
	8 bit value		16 bit value		
	From	To	From	To	
NO FUNCTION	0	1	-	-	Default @ 0 Hold 3s to take function
DIMMER CURVE LINEAR	2	3	-	-	
DIMMER CURVE S-CURVE	4	5	-	-	
DIMMER CURVE SQUARE LAW	6	7	-	-	
DIMMER CURVE INVERSE SQUARE LAW	8	9	-	-	
DIMMER SPEED AUTO	10	11	-	-	
DIMMER SPEED FAST	12	13	-	-	
DIMMER SPEED MEDIUM	14	15	-	-	
DIMMER SPEED SLOW	16	17	-	-	
DIMMER SPEED OFF	18	19	-	-	
LED FREQUENCY 600HZ	20	21	-	-	
LED FREQUENCY 1200HZ	22	23	-	-	
LED FREQUENCY 2000HZ	24	25	-	-	
LED FREQUENCY 4000HZ	26	27	-	-	
LED FREQUENCY 6000HZ	28	29	-	-	
LED FREQUENCY 25KHZ	30	31	-	-	
DMX FAULT HOLD	32	33	-	-	
DMX FAULT BLACKOUT	34	35	-	-	
DMX FAULT STAND ALONE	36	37	-	-	
STAND ALONE MASTER DMX	38	39	-	-	
STAND ALONE MASTER NO DMX	40	41	-	-	
STAND ALONE SLAVE	42	43	-	-	
STAND ALONE EFFECTS	44	45	-	-	
STAND ALONE FIXED COLORS	46	47	-	-	
STAND ALONE WHITE PRESETS	48	49	-	-	
STAND ALONE MANUAL CW+WW	50	51	-	-	
RESERVED	52	249	-	-	
RESET ALL CHANNEL CONTROLLED	250	251	-	-	
RESERVED	252	255	-	-	

## 12 - ACCESSORIES INSTALLATION

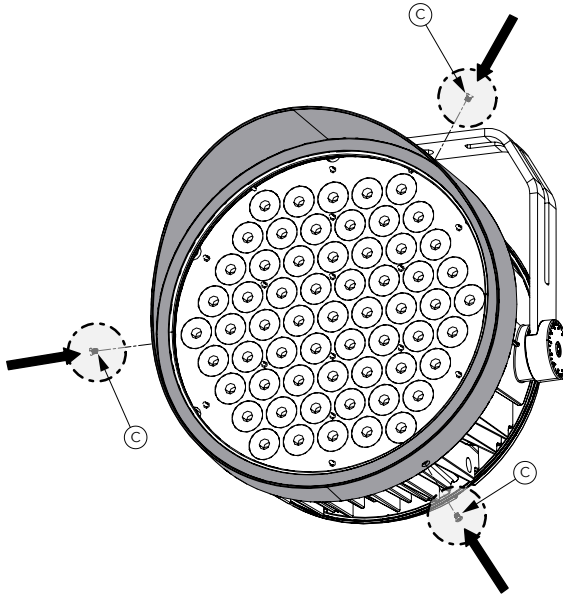
### HALF SNOOT (CODE ARXLHSNOOTGY - OPTIONAL)

---

1



2



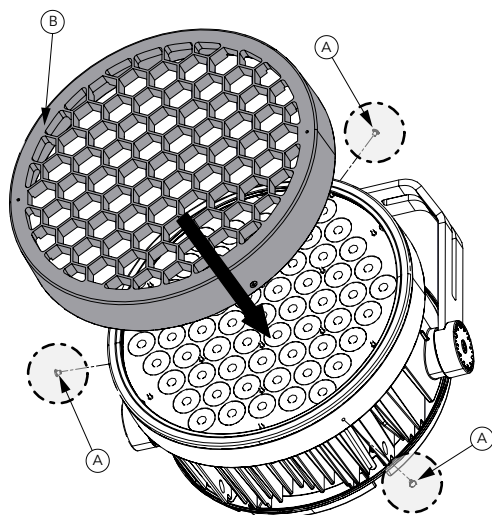
Place fixture on a stable surface.

1. Remove rubber caps (A). Insert the Half snoot (B).
2. Screw the supplied screws (C) to secure the accessory.

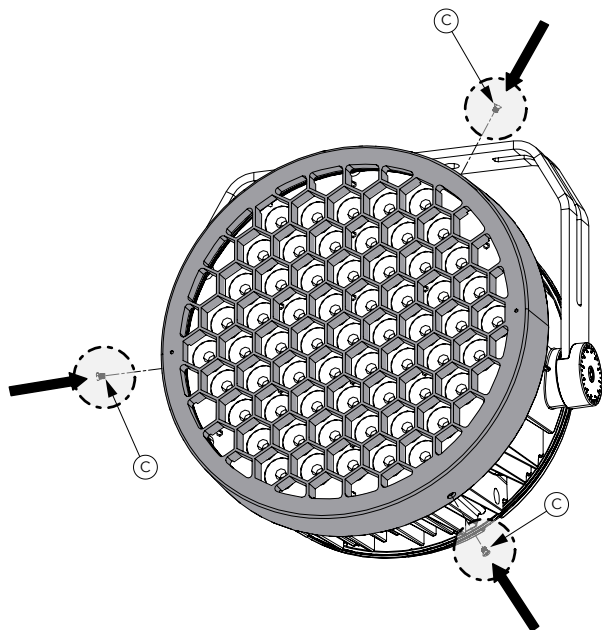
## HONEYCOMB LOUVRE (CODE ARXLHLOUVREGY - OPTIONAL)

---

1

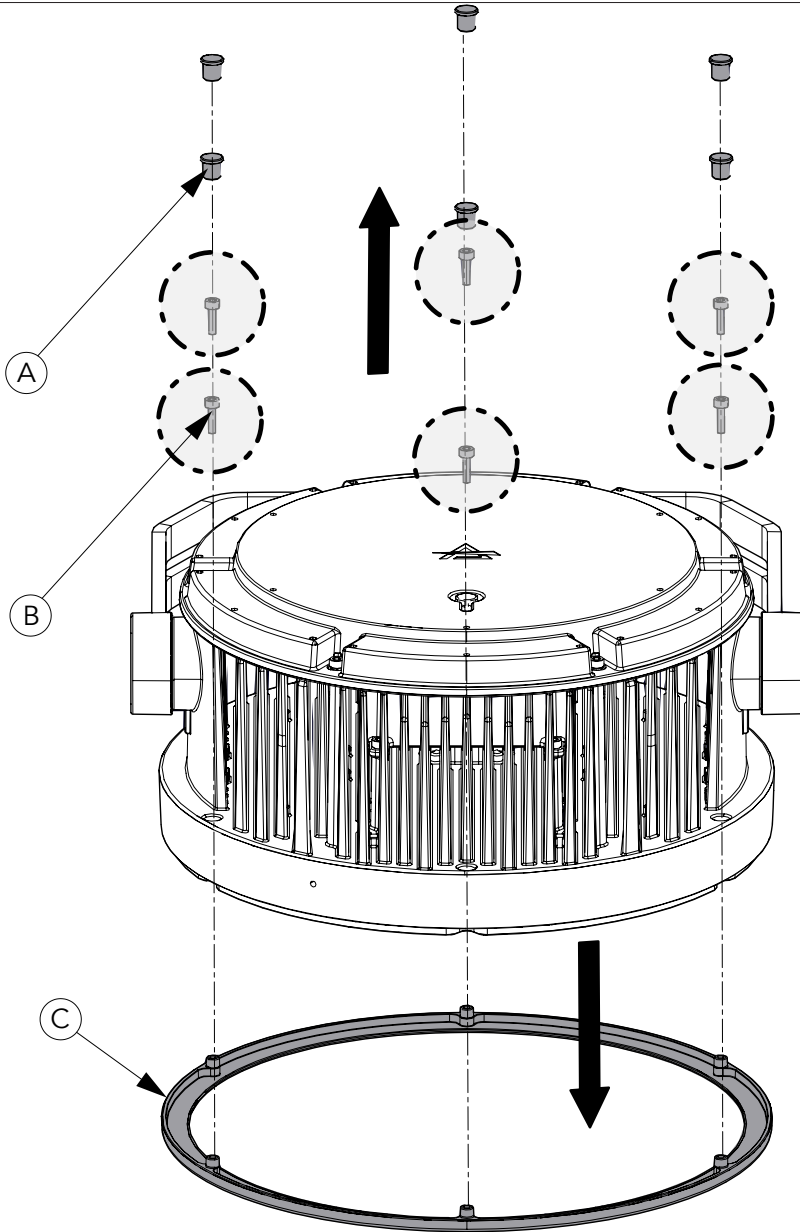


2



Place fixture on a stable surface.

1. Remove rubber caps (A). Insert the Honeycomb louvre (B).
2. Screw the supplied screws (C) to secure the accessory.

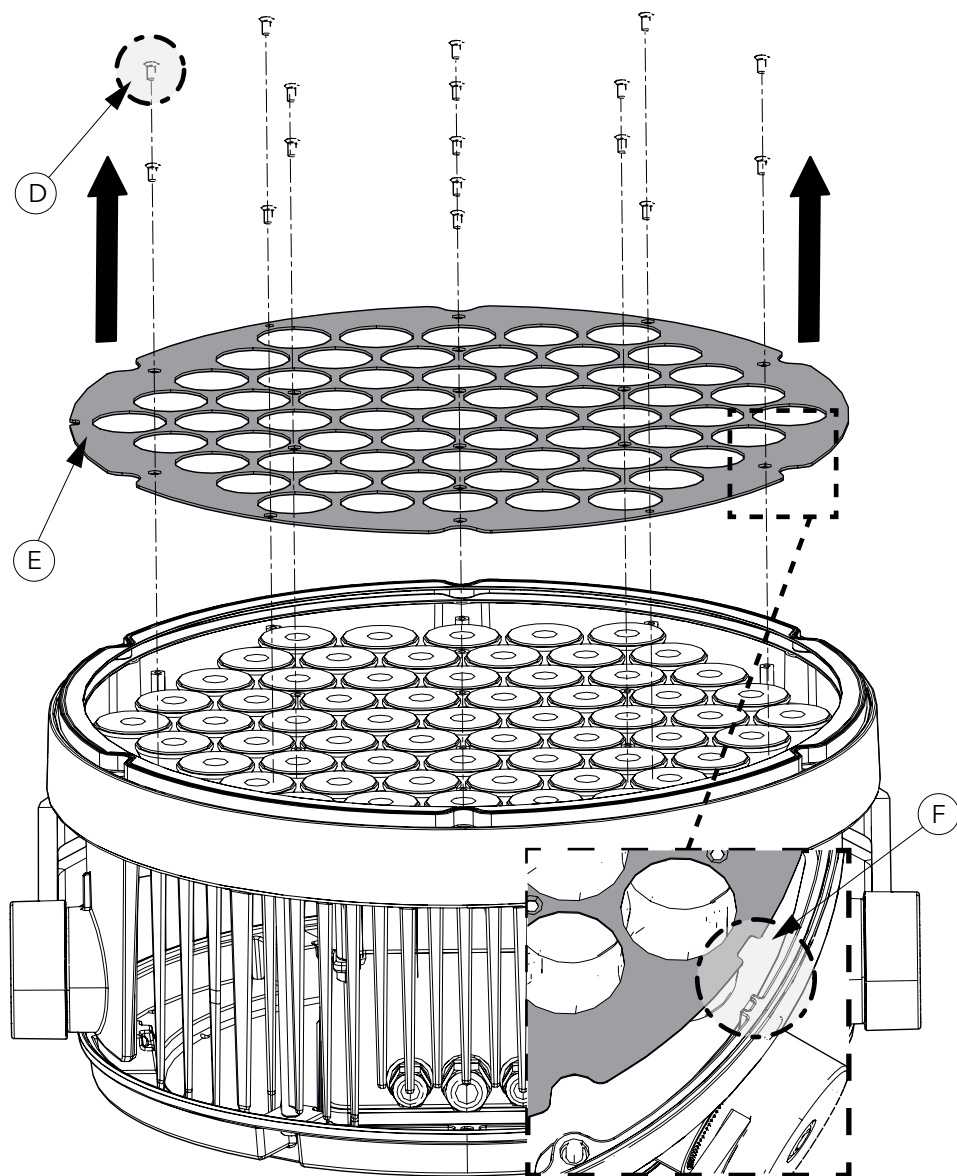


Place fixture on a stable surface.

- Remove the rubber caps (A), then unscrew the metal front ring screws (B).
- Remove the metal front ring (C).

Fig. 12



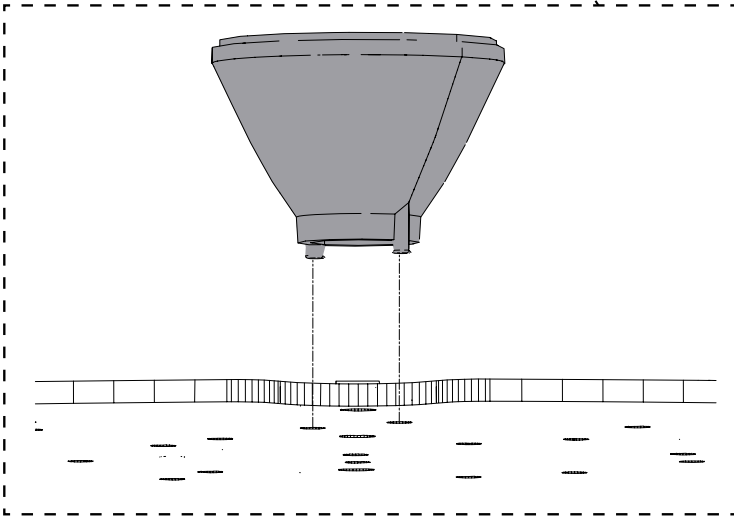
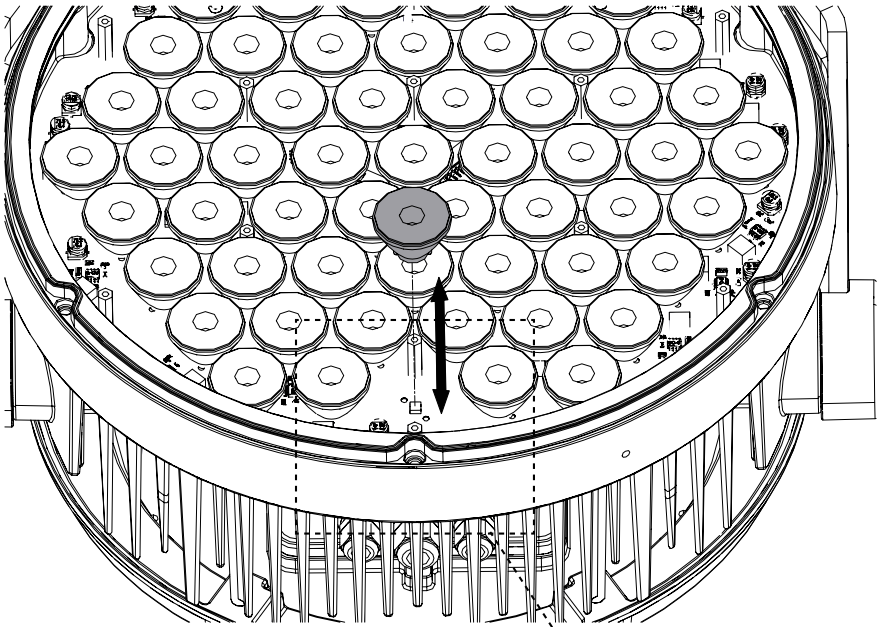


Turn the fixture with lenses upside and proceed as follows:

- Unscrew the lenses holder screws (D).
- Remove the lenses holder (E).

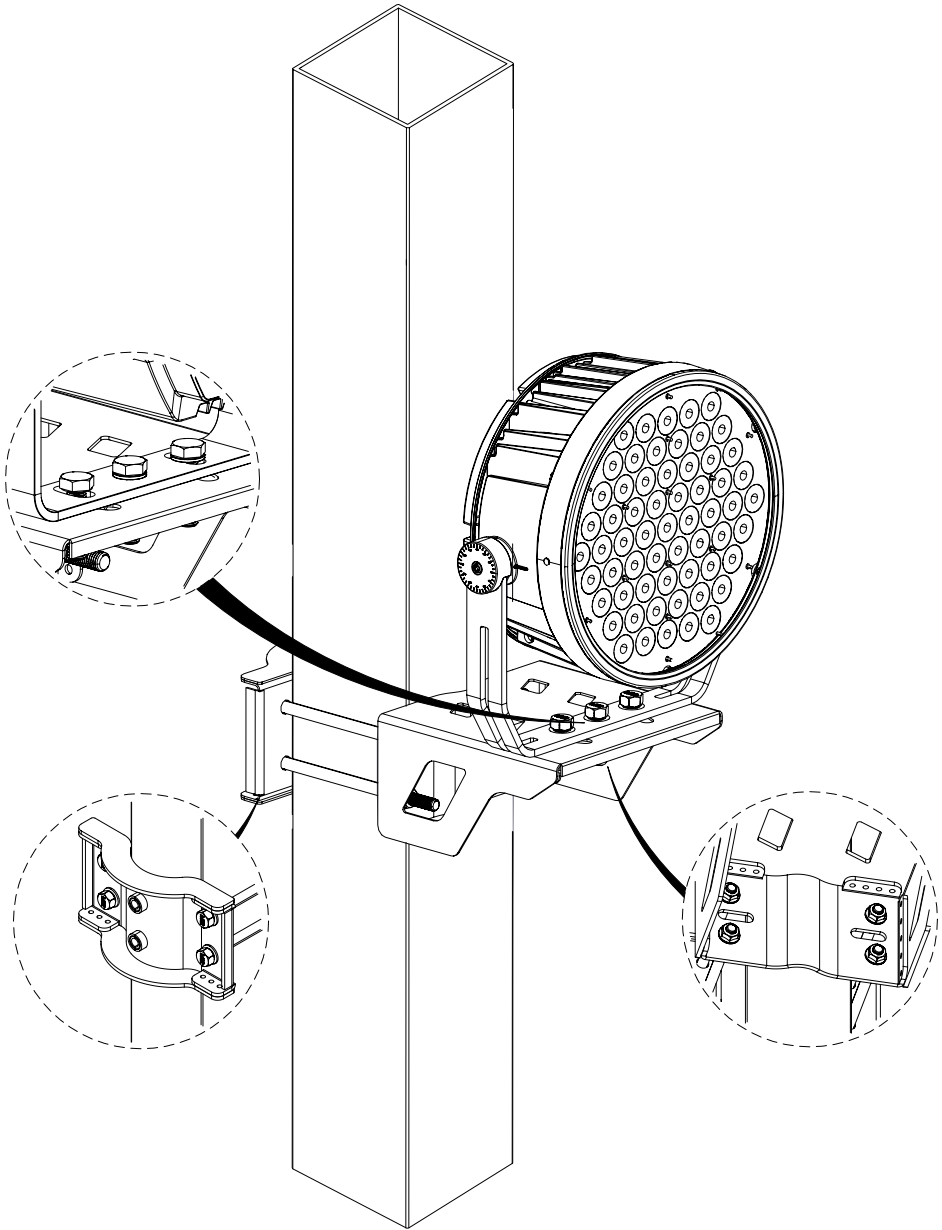
**NOTE:** be careful to match the spaces (F) in the same way as they are disassembled to close the product correctly.

Fig. 12



Gently replace each lens as shown in figure,

Fig. 12



**NOTE:**

Do not mount the bracket on a support whose surface shows deformations, injuries, crushing, etc. Both the bracket and the unit must be secured with a safety cable.

Fig. 12

# 13 - MAINTENANCE

## MAINTENANCE AND CLEANING THE PRODUCT

**WARNING:** Disconnect from the mains before starting any maintenance work

It is recommended to clean the front at regular intervals, from impurities caused by dust, smoke, or other particles to ensure that the light is radiated at maximum brightness.

- For cleaning, disconnect the main plug from the socket. Use a soft, clean cloth moistened with a mild detergent. Then carefully wipe the part dry. For cleaning other housing parts use only a soft, clean cloth. Never use a liquid, it might penetrate the unit and cause damage to it.
- The user must clean the product periodically to maintain optimum performance and cooling.
- The user may also upload firmware (product software) to the fixture via the DMX signal input port using UPBOXPRO or UPBOX2 and instructions from PROLIGHTS.
- The frequency of such maintenance operations is to be performed according to various factors, such as the amount of the use and the condition of the installation environment (air humidity, presence of dust, salinity, etc.). It is recommended that the product is subject to annual service by a qualified technician for special maintenance involving at least the following procedures:
- General cleaning of internal parts.
- For all the parts subject to friction, using lubricants specifically supplied by PROLIGHTS.
- General visual check of the internal components, cabling, mechanical parts, etc.
- Electrical, photometric and functional checks; eventual repairs.
- Cleaning the lenses. Only use neutral soap and water to clean the lenses, then dry it carefully with a soft, non-abrasive cloth.

**WARNING:** the use of alcohol or any other detergent could damage the lenses.

- **Only for IP66 projectors:** It is recommended to verify IP grade using IPTESTBOX every time the bodies are removed for maintenance, this tool helps to double check the correct assembling of the covers with a check of the IP grade of the fixture.
- All other service operations on the product must be carried out by PROLIGHTS, its approved service agents or trained and qualified personnel.
- It is PROLIGHTS policy to apply the strictest possible calibration procedures and use the best quality materials available to ensure optimum performance and the longest possible component lifetimes. However, optical components are subject to wear and tear over the life of the product, resulting in gradual changes in colours over many thousands of hours of use. The extent of wear and tear depends heavily on operating conditions and environment, so it is impossible to specify precisely whether and to what extent performance will be affected. However, you may eventually need to replace optical components if their characteristics are affected by wear and tear after an extended period of use and if you require fixtures to perform within very precise optical and colour parameters.
- Do not apply filters, lenses or other materials on lenses or other optical components. Use only accessories approved by PROLIGHTS.

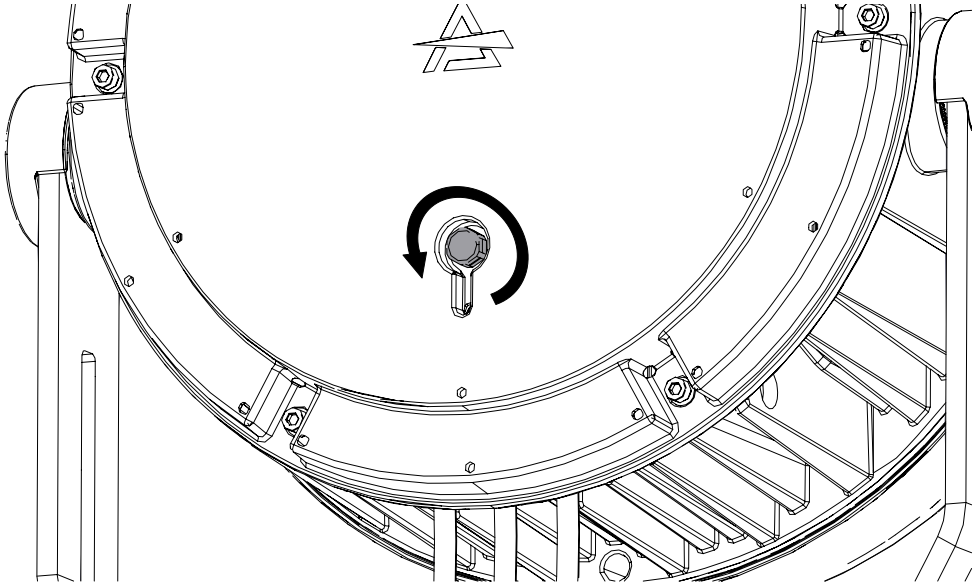
## VISUAL CHECK OF PRODUCT HOUSING

- The parts of the product cover/housing should be checked for eventual damages and breaking start at least every two months. In addition, especially the parts of the front lens holder have to be checked mechanically (by means of movement by the part) if it is firmly fastened to the fixture. If hint of a crack is found on some plastic part, do not use the product until the damaged part will be replaced.
- Cracks or another damages of the cover/housing parts can be caused by the product transportation or manipulation and also ageing process may influence materials.
- This checking is necessary for both fixed installations and preparing product for renting. Any free moving parts inside of the product, cracked cover/housing or any part of front lens not sitting properly in place need to be immediately replaced.

## 14 - TEST OF IP66 RATING

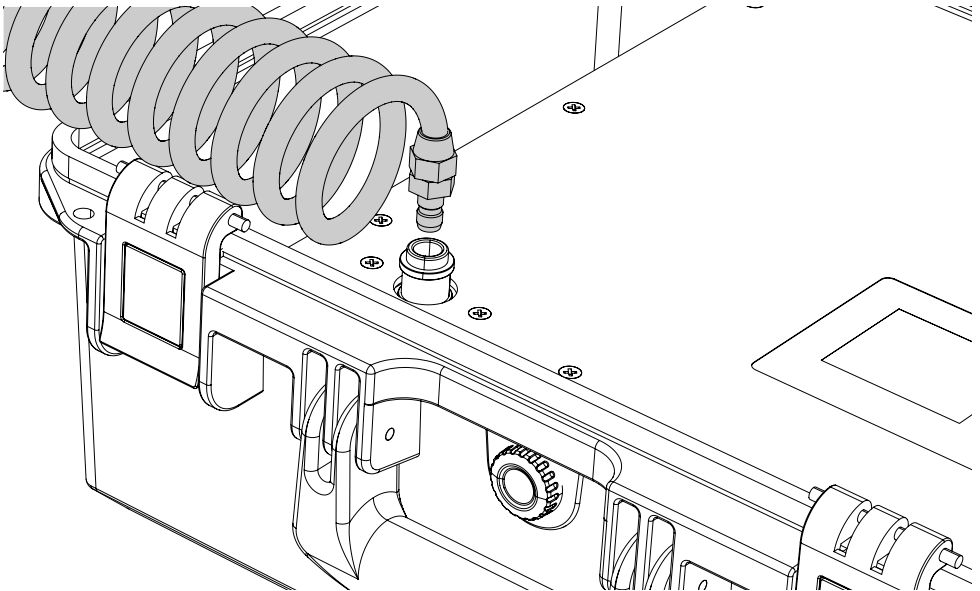
It is recommended to verify IP grade using IPTESTBOX every time the bodies are removed for maintenance.

1



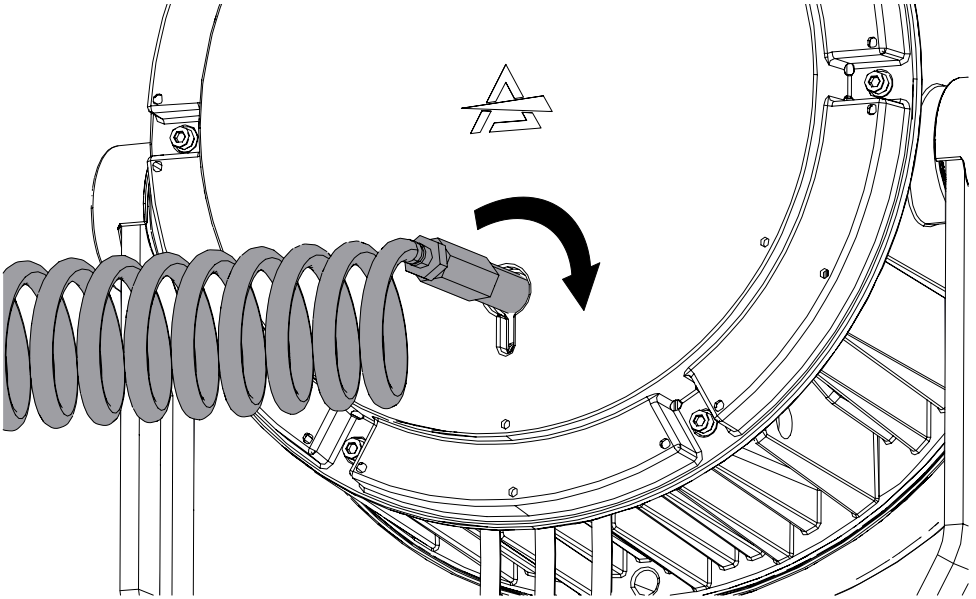
Remove the gore valve from the rear cover.

2



Connect the air hose to the IPTESTBOX by inserting the quick-connect fitting into the coupler.

3



Insert the threaded end into the threaded valve hole socket.

For the operating procedure using the instrument, refer to the IPTESTBOX user manual.










Note

Lined writing area consisting of 20 horizontal lines.





**PROLIGHTS** is a trademark of  
**MUSIC & LIGHTS S.r.l.**  
**musiclights.it**

Via A.Olivetti snc  
04026 - Minturno (LT) ITALY  
Tel: +39 0771 72190

**prolights.it**  
support@prolights.it