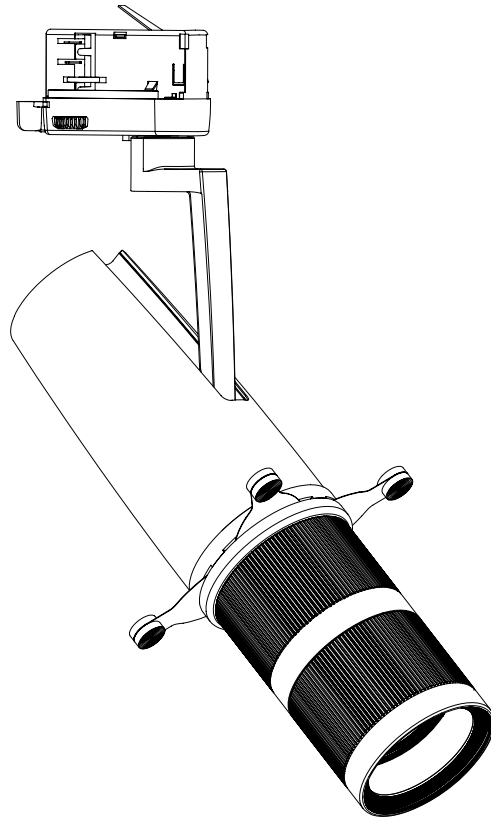


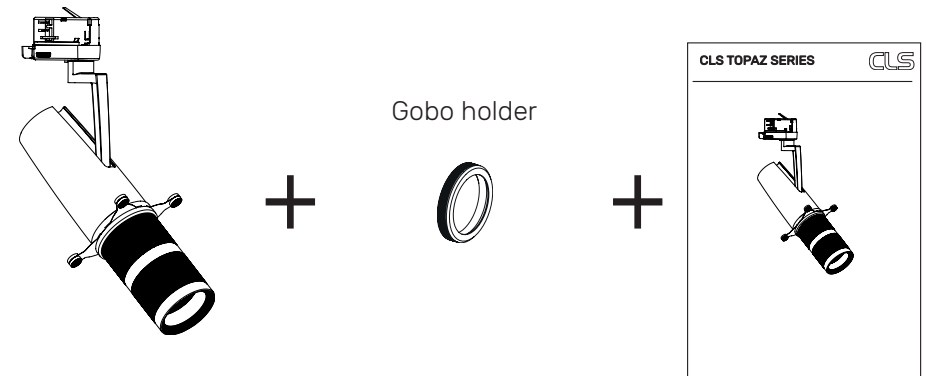
Index	2	Installation Global	4	Dim Methods	9
Safety information	2	Installation Bolt	5	Programming	10
Content	2	Framing	6	Programming table	11
Technical	3	Gobo placement	7	Accessories	12
Specifications	3	Filter holder assembly	8	List of symbols	13



SAFETY INFORMATION

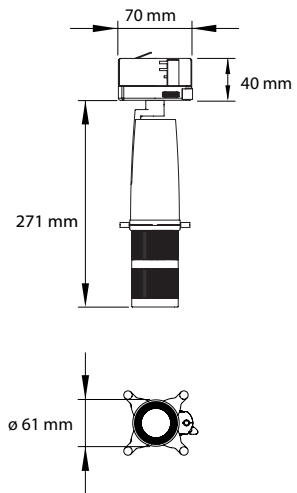
Make sure all connectors are connected properly	Use a source of AC power that complies to local electrical codes	Block access below the work area when maintaining the unit	Don't modify or install genuine parts on this product	Don't install in a flammable or explosive area	Warning! Some surfaces can be hot

CONTENT

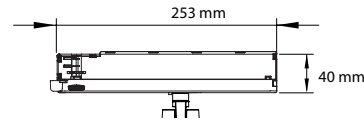


15 Watt Max.	Local Dim	Roto Dim	DMX dimmable	DALI dimmable	CASAMBI Bluetooth by Casambi	DMX Wireless DMX	5 YEAR WARRANTY	CE	A+	LIGHTSOURCE BY XICATO	bridgelux			

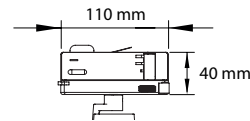
Topaz Profile



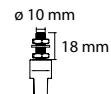
Casambi adapter



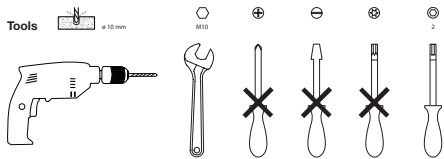
DMX adapter



Bolt Mounting



Tools

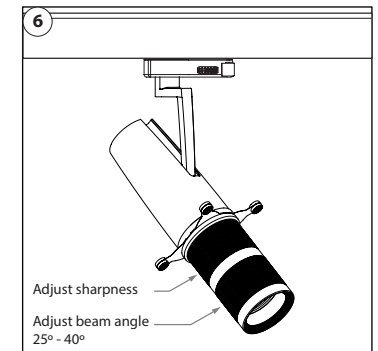
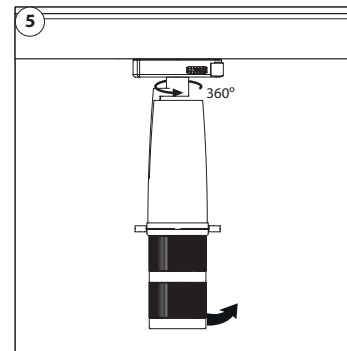
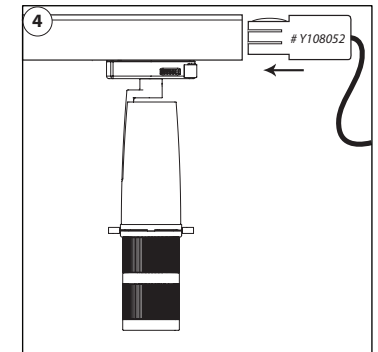
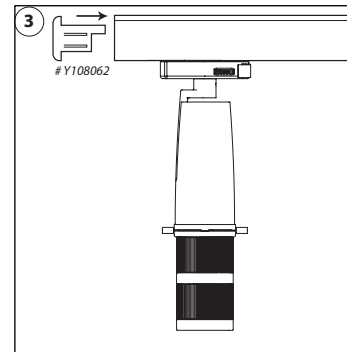
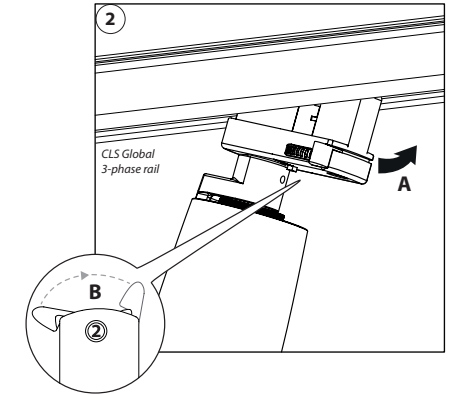
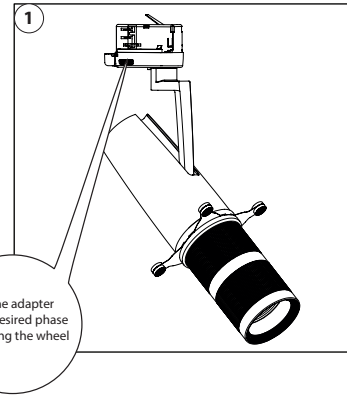
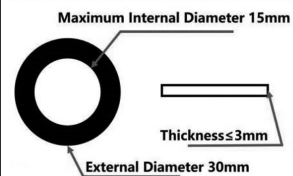


SPECIFICATIONS

LED: Bridgelux or Xicato
 Available colours: CRI>90 : 2700K, 3000K, 3500K & 4000K
 CRI>98 : 2700K, 3000K, 3500K & 4000K
 Zoom: 25° - 40°
 Power supply: 100 - 240 VAC (Roto Dim, DMX, W-DMX)
 200 - 240 VAC (Non Dim, Local Dim)
 220 - 240 VAC (Casambi)
 Power consumption: Max. 15 Watt
 Housing: Black or white coated aluminium
 Weight: 998 gr
 IP value: IP20
 Measurements: See drawing
 Ambient temperature: -10° C till +40° C

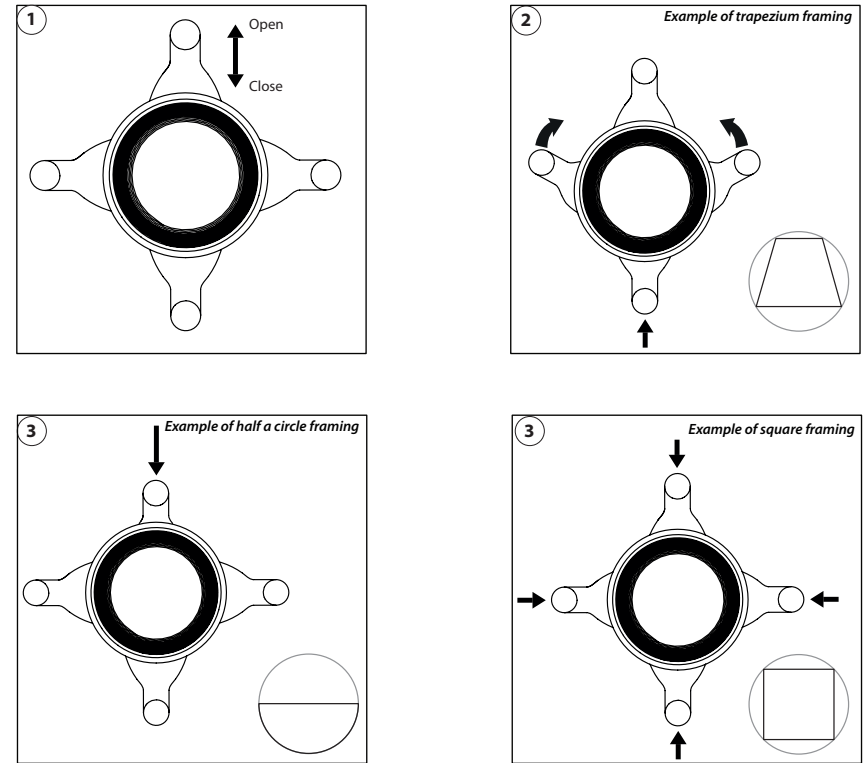
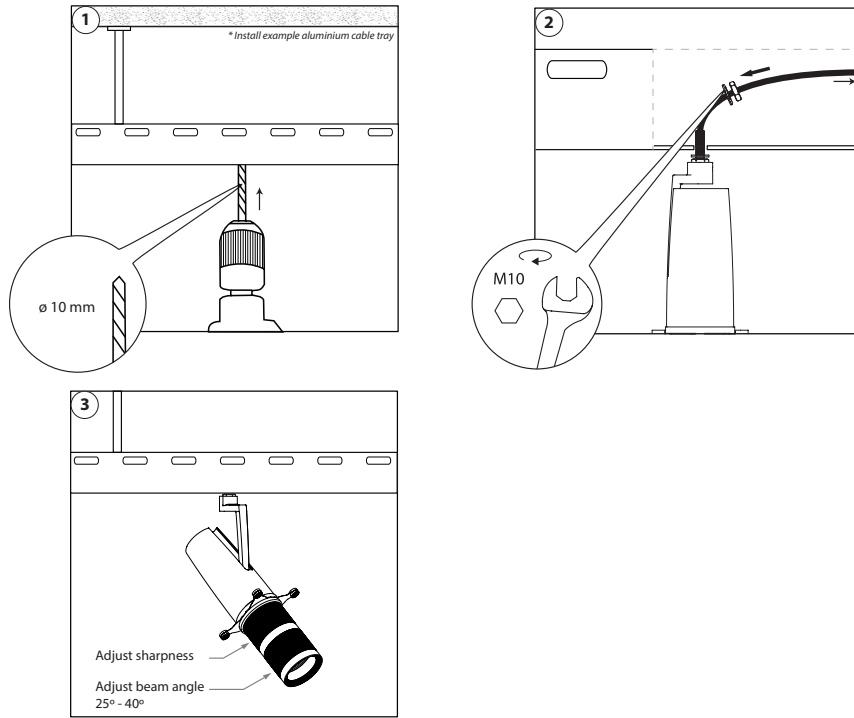
GOBO SPECIFICATION

Max. internal diameter (IA): ø 15 mm
 External diameter (OD): ø 30 mm
 Thickness: 3 mm

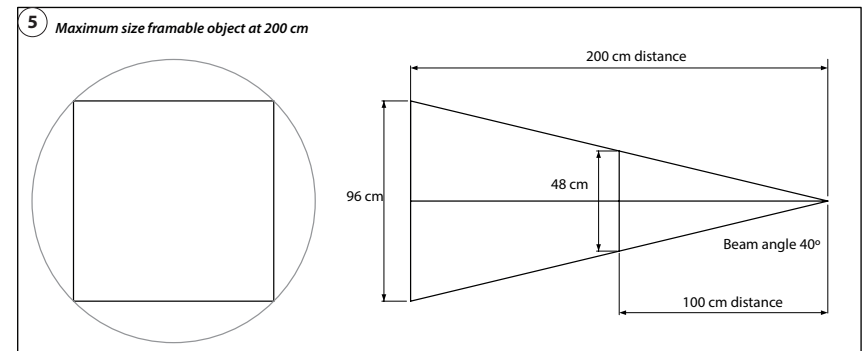
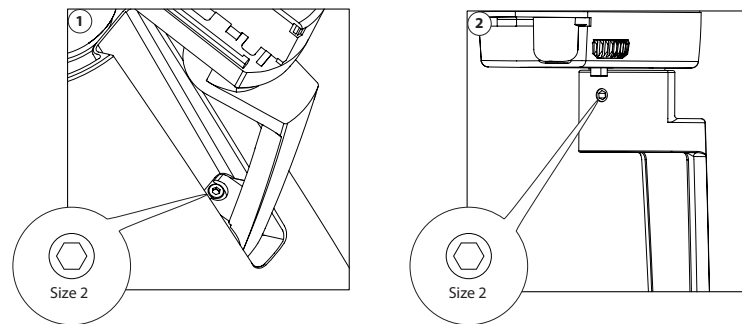


INSTALLATION PROFILE BOLT

FRAMING



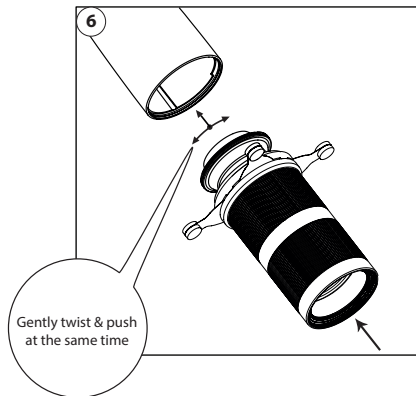
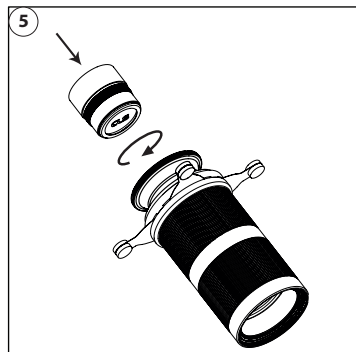
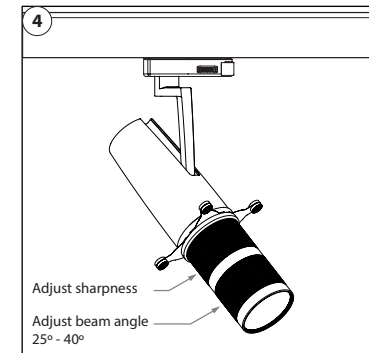
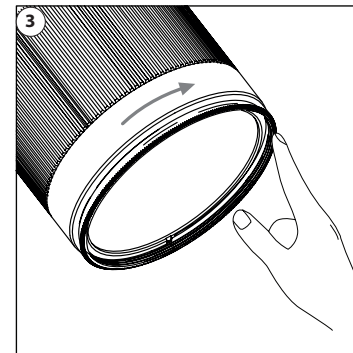
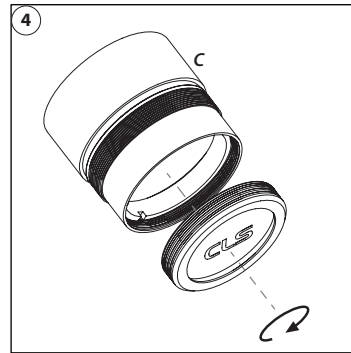
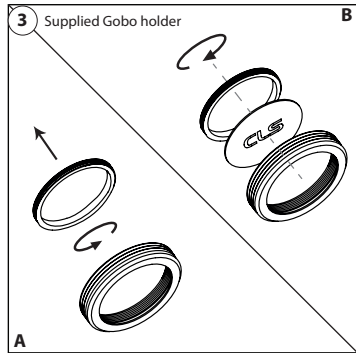
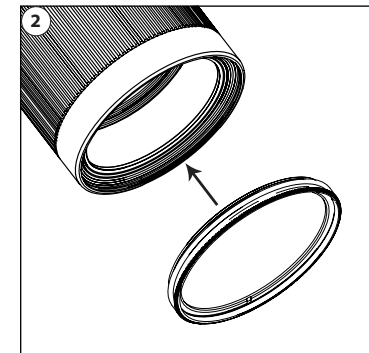
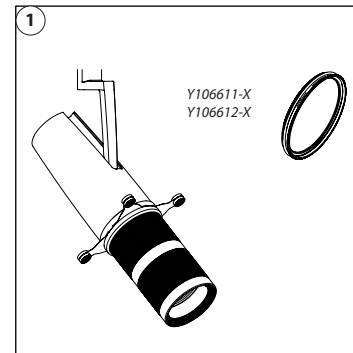
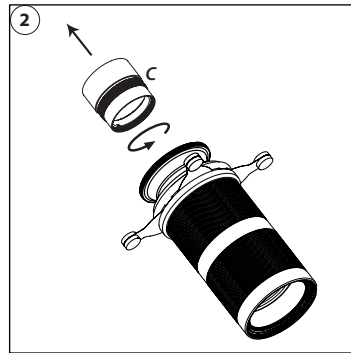
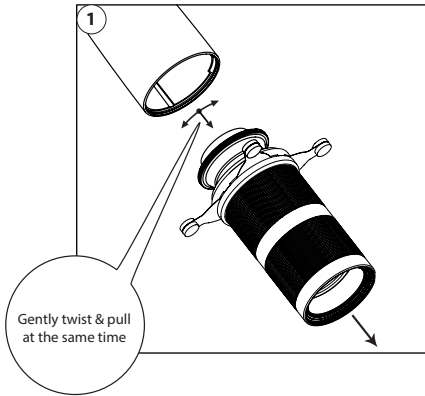
LOCK POSITION

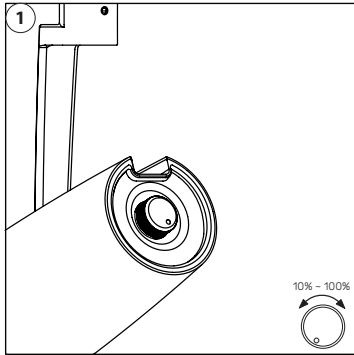


GOBO PLACEMENT

FILTER HOLDER ASSEMBLY

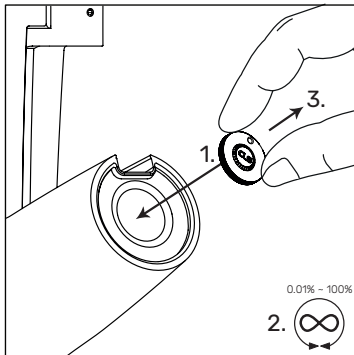
Note: Gobo size: ø 30 mm - Thickness 3 mm





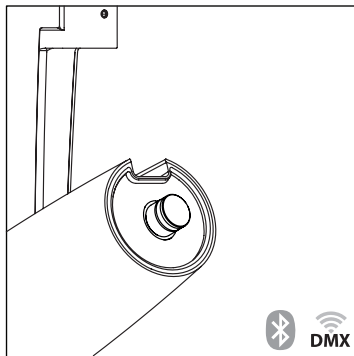
Local Dim

Local dimming through a potentiometer on the driver housing.



Roto Dim®

1. Place magnet on the back of the Topaz.
2. Turn right or left for the desired dimming value.
3. Remove the magnet from the Topaz. After approx. 3 seconds the LED will flash one time, confirming the dim value has been stored.
4. The magnet can also remain seated on the back of the Topaz. After approx. 10 seconds the LED will flash one time, confirming the dim value has been stored.



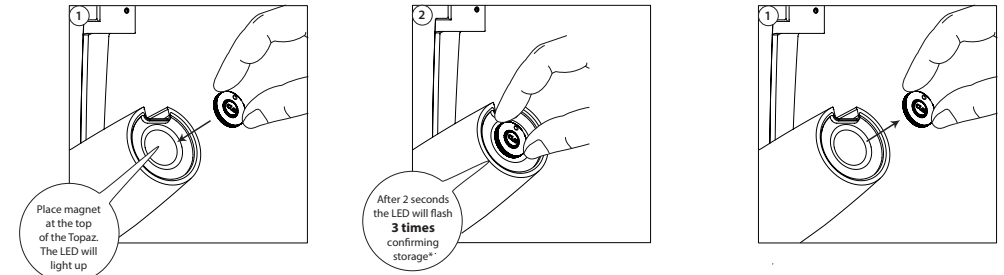
Wireless (antenna)

Control by Casambi via bluetooth or Wireless DMX

All settings can be configured via DMX. Settings can be configured at once or separately. When one or a couple settings needs to be changed just leave all other setting values zero. This keeps those settings unchanged. Please check the table for more information.

Always use a DMX controller with digital interface. If not available, you can purchase the CLS D-ta DMX addresser unit (#122200).

First make sure to set the DATA on the DMX controller. To program the setting into the LED fixture follow the next steps.



* If the LEDs flashes **10 times**, something went wrong. Please try again. If the problem continues to occur, please contact your local sales distributor.

WIRELESS DMX

See the Manual of Wireless Solutions. The Manual can be found on our CLS website, in the Downloads section. Or use the link below <https://www.cls-led.com/wp-content/uploads/cls-files/W-DMX-manual.pdf>

Unlink procedure

When the fixture does not receive a DMX signal (DMX controller off), place the magnet on the bottom of the fixture for 5 seconds. Slow flash indicates that the fixture is unlinked.

BLUETOOTH BY CASAMBI

For Casambi controlled fixtures, see the manual of Casambi. The Manual can be found on our CLS website, in the Downloads section. Or use the link below:

https://www.cls-led.com/wp-content/uploads/cls-products/CLS_CASAMBI/MANUAL/Manual_Casambi_controlsistem_EN.pdf

PROGRAMMING TABLE

ACCESSORIES

PROGRAMMING TABLE				
DMX	Function	Data	Parameters	Description
CH1	Set address 001 to 255	0	0 = no change	Use this DMX channel to set address from 1 to 255.
		1...255	DMX address = 1...255	
CH2	Set address 256 to 508	0	No change	Use this DMX channel to set address from 256 to 508
		1...255	DMX address = 256...508	
CH3	Static behavior	0	No change	If no DMX is present the fixture will respond like set in this function.
		1	Last DMX value	
		2	Output off	
		3	Load static values	
CH4	Soft dim	0	No change	When dynamic softdim is activated an extra DMX channel behind the colours and/or master controls the soft dim reaction. If fixed no extra DMX channel is used. Value x delay is x*0.1 seconds, varying from 0.1-25.5 seconds.
		1	Off	
		2	Standard	
		3	Dynamic delay	
		5-255	Fixed delay	
CH10	Static output	0	No change	Each output channel can be set to a static intensity. If no DMX is present and Static behavior is set to "load static values". The outputs will be set to the configured intensity values.
		1	Output off	
		2...255	Intensity 2...255	
CH14	Load default settings	0	No change	This function resets all settings to the Factory setting.
		1	Load Factory settings	
CH17	DMX control	0	No change	The intensity control of the output via DMX can be disabled. To enable it again use RDM or power cycle with magnet in place. Wait until flash sequence and remove the magnet.
		2	Disable	

ACCESSORIES

Y110855	CLS 3-phase multi adapter grey XTSA 68
Y110865	CLS 3-phase multi adapter white XTSA 68
Y110875	CLS 3-phase multi adapter black XTSA 68
Y110880	CLS T-connector grey for 3-phaserail, ground left
Y110881	CLS T-connector black for 3-phaserail, ground left
Y110882	CLS T-connector white for 3-phaserail, ground left
Y110925	CLS 3-phase rail 1mtr aluminum XTS 4100
Y110926	CLS Global 3-phase rail 2 metre aluminum XTS 4200
Y110927	CLS Global 3-phase rail 2mtr black XTS 4200
Y110928	CLS Global 3-phase rail 3mtr aluminum XTS 4300
Y110929	CLS Global 3-phase rail 4mtr aluminum XTS 4100
Y110930	CLS Global 3-phase rail 3mtr white XTS 4300
Y110931	CLS Global 3-phase rail 3mtr black XTS 4300
Y110932	CLS Global 3-phase rail 4mtr black XTS 4400
Y110935	CLS end piece for 3-phase rail grey XTS 41
Y110938	CLS end piece for 3-phase rail black XTS 41
Y110939	CLS end piece for 3-phase rail white XTS 41-3
Y110945	CLS connection box for 3-phase rail, grey XTS 11
Y110946	CLS connection box for 3-phase rail, grey XTS 12
Y110950	CLS connection box for 3-phase rail black XTS 11
Y110954	CLS L-connector grey for 3-faserail, ground left
Y110954	CLS L-connector grey for 3-faserail, ground left
Y110955	CLS L-connector grey for 3-faserail, ground right
Y110960	CLS connect piece gray (connect rail-rail) XTS
Y110961	CLS connect piece white (connect rail-rail) XTS21
Y110962	CLS connect piece black (connect rail-rail) XTS
Y110965	CLS hanging bracke for 3-phase rail, grey SKB16
Y110966	CLS hanging set, grey SKB12 with 1.5 mtr steel
Y110970	CLS bending tool XTSV 12
Y110980	CLS round mountingdisk GA70 grey
Y110985	CLS round mountingdisk GA70 white
Y110990	CLS round mountingdisk GA70 black
Y106611-B	CLS Topaz Profile soft diffusion filter set black
Y106611-W	CLS Topaz Profile soft diffusion filter set white
Y106612-B	CLS Topaz Profile filterholder black
Y106612-W	CLS Topaz Profile filterholder white
Y106018	CLS Roto Dim magnet
Y106019	CLS Roto Dlm magnet with keycord

LIST OF SYMBOLS

	Protection class One, two or three		Retail & Food LED modules Clothing, furniture, kitchens, jewellery, shoes, bread, meat, fish and vegetables & fruit.
	Application area Indoor or outdoor		Colour Available colours: Amber, blue, red or green
	Application area Floor, wall or ceiling		White colour temperature In different Kelvin values: Cold white, neutral white, warm white or extra warm white
	Swivel Fixture is horizontally rotatable, indicated in degrees		Curve Minimal bending curve in centimeters
	Swivel Fixture is vertically rotatable, indicated in degrees		Cutting length Indicated by the cutting marks
	Multiple connection Daisychain connectivity		LED pitch Pitch between the LEDs in millimeters
	Installation depth In centimeters		Power supply In VDC, VAC or milliAmpere
	Installation size In centimeters		Power consumption In VA or Watt
	Cable length Maximum cable attached to the fixture in centimeters		Dimmable 1-10 Volt, Phase, individual, DMX dimmable or DALI
	Driver Inclusive or exclusive Internal or external		PWM dimming Traditional PWM dimming, DMX analog or DMX Hybrid dim
	Weight In grams/kilograms		Bluetooth controlled By Casambi
	Pressure Maximum pressure on the fixture in kg/cm ²		Magne dimming Accurate dimming from 100 - 1% by using a magnet
	Lifespan Of the light source in hours		Dynamic Control Dynamic Power Control or Dynamic Temperature Control
	Lenses Available lenses, indicated in degrees		DMX input Fixture works on DMX512 protocol or Wireless DMX
	Performance Zoom Adjustable beam angle		Combined product Compose your own fixture
	LEDs Kind of LED used in the fixture		Warranty 3 or 5 years warranty on the product
	Plug & play Easy connection using the SmartConnect system		Conformité Européenne CE marking for free marketability of industrial goods within the EU
	IP value Ingress Protection classifies the degrees of protection provided against the intrusion of the product		Energy label
	Colour changing RGB, RGB-W, RGB-A, AWB or Tunable White		Lightsource Equipped with a CLS, Bridgelux or a Xicato LED module

2024 CLS-LED BV. All rights reserved. Information subject to change without notice, CLS-LED BV and all affiliated companies disclaim liability for injury, damage direct or indirect loss, consequential or economic loss or any other loss occasioned by the use of, inability to use or reliance on the information contained in this manual. No part of this manual may be reproduced, in any form or by any means, without permission in writing from CLS-LED BV. Other legal information can be found in our General conditions, found on the back of your CLS-LED BV invoice, inside the CLS catalogue or on our website www.cls-led.com/General-Terms.pdf