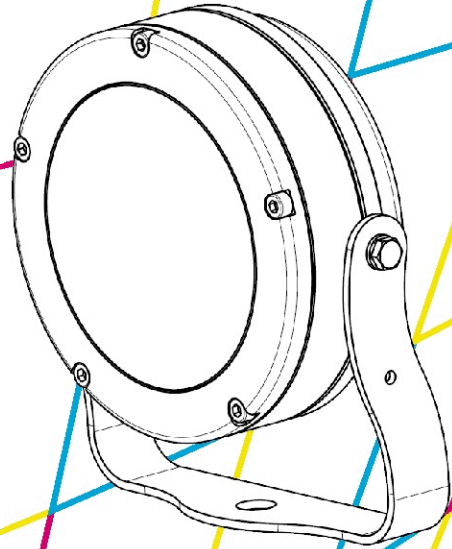
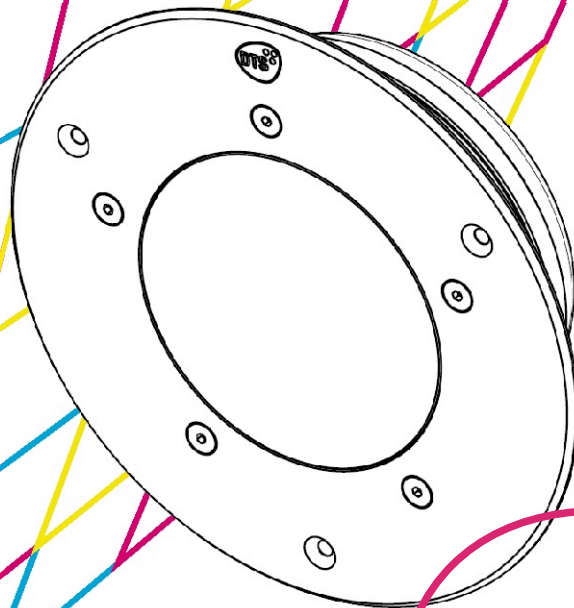


# EOS 6 - EOS 9



**EOS 6 FC  
EOS 9 WHITE**



**EOS 6 R FC  
EOS 9 R WHITE**

User's Manual rel 1.0 **GB**

D.T.S. Illuminazione srl - ITALY  
<http://www.dts-lighting.it>



The Lighting Company

Made in Italy

Le informazioni contenute in questo documento sono state attentamente redatte e controllate. Tuttavia non è assunta alcuna responsabilità per eventuali inesattezze. Tutti i diritti sono riservati e questo documento non può essere copiato, fotocopiato, riprodotto per intero o in parte senza previo consenso scritto della D.T.S .

DTS si riserva il diritto di apportare senza preavviso cambiamenti e modifiche estetiche , funzionali o di design a ciascun proprio prodotto. D.T.S non assume alcuna responsabilità sull'uso o sull'applicazione dei prodotti o dei circuiti descritti.

The information contained in this publication has been carefully prepared and checked. However, no responsibility will be taken for any errors. All rights are reserved and this document cannot be copied, photocopied or reproduced, in part or completely, without prior written consent from D.T.S. D.T.S. reserves the right to make any aesthetic, functional or design modifications to any of its products without prior notice. D.T.S. assumes no responsibility for the use or application of the products or circuits described herein.

Les informations contenues dans le présent manuel ont été rédigées et contrôlées avec le plus grand soin. Nous déclinons toutefois toute responsabilité en cas d'éventuelles inexactitudes. Tous droits réservés. Ce document ne peut être copié, photocopié ou reproduit, dans sa totalité ou partiellement, sans le consentement préalable de D.T.S.

D.T.S. se réserve le droit d'apporter toutes modifications et améliorations esthétiques, fonctionnelles ou de design, sans préavis, à chacun de ses produits. D.T.S. décline toute responsabilité sur l'utilisation ou sur l'application des produits ou des circuits décrits.

Las informaciones contenidas en este documento han sido cuidadosamente redactadas y controladas. Con todo, no se asume ninguna responsabilidad por eventuales inexactitudes. Todos los derechos han sido reservados y este documento no puede ser copiado, fotocopiado o reproducido, total o parcialmente, sin previa autorización escrita de D.T.S.

D.T.S. se reserva el derecho a aportar sin previo aviso cambios y modificaciones de carácter estético, funcional o de diseño a cada producto suyo. D.T.S. no se asume responsabilidad de ningún tipo sobre la utilización o sobre la aplicación de los productos o de los circuitos descritos.

## **EOS 6 FC**

### **D.T.S. Product codes:**

03.EOB001E20FC10	EOS 6 FC Narrow lenses Grey Glitter finish
03.EOB001E20FC25	EOS 6 FC Medium flood lenses Grey Glitter finish
03.EOB001E20FC40	EOS 6 FC Wide flood lenses Grey Glitter finish

### **LED technology**

6 x FULL RGBW LEDs; 2700K - 6500K Colour temperature range; 2300 Lumens  
LEDs average lifespan: 75.000 hours (70% lumen output)

### **Optical units**

3 lenses sets available: Narrow, Medium flood, Wide flood

### **Control**

DMX 512

### **Protection**

IP 65

### **Construction**

EOS 6 FC is made on aluminium and stainless steel, fitted with a mounting bracket

### **Power supply**

Electronic full-range 90-260Vac 50-60Hz  
Z1 PLUS, Z8 or DRIVENET 832 LED Controller Screw terminals outputs

### **Power consumption**

42W

### **Connection**

Cable with M12 male connector (1 m length)

### **Operating ambient temperature**

-10° / 40°

### **Weight**

2 Kg

### **Accessories**

Top Hat kit grey glitter finish (D.T.S. Code 03.LA.151.04)  
Z1 PLUS IP20 LED Controller (D.T.S. Code 03.LA.009P)  
Z1 PLUS IP65 LED Controller (D.T.S. Code 03.LA.009P.IP65)  
Z8 LED Controller M12 outputs (D.T.S. Code 03.LA.075.V2)  
Z8 LED Controller Screw terminals outputs (D.T.S. Code 03.LA.080.V2)  
DRIVENET 832 LED Controller Screw terminals outputs (D.T.S. Code 03.LA.177)

## EOS 9 WHITE

### **D.T.S. Product codes:**

03.EOB003E20WE10	EOS 9 WHITE 4000K Narrow lenses Grey Glitter finish
03.EOB003E20WE25	EOS 9 WHITE 4000K Medium flood lenses Grey Glitter finish
03.EOB003E20WE40	EOS 9 WHITE 4000K Wide flood lenses Grey Glitter finish

### **LED technology**

9 x WHITE 4000K LEDs (2700K, 3000K or 5600K WHITE LEDs also available); 1260 Lumens  
LEDs average lifespan: 75.000 hours (70% lumen output)

### **Optical units**

3 lenses sets available: Narrow, Medium flood, Wide flood

### **Control**

On-Off

### **Protection**

IP 65

### **Construction**

EOS 9 WHITE is made on aluminium and stainless steel, fitted with a mounting bracket

### **Power supply**

Electronic full-range 90-260Vac 50-60Hz  
350mA, 500mA or 700mA Max Constant current LED PSU

### **Power consumption**

18W Max

### **Connection**

2 x 0,85 sq mm cable (1 m length)

### **Operating ambient temperature**

-10° / 40°

### **Weight**

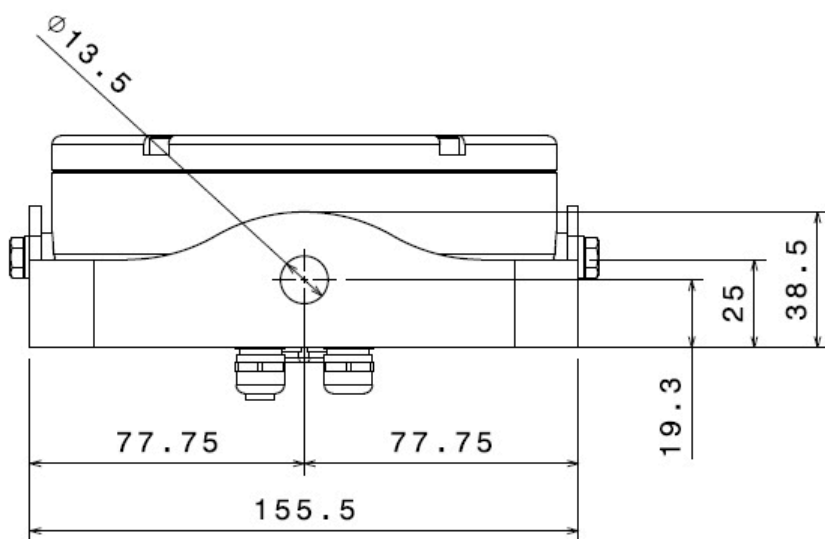
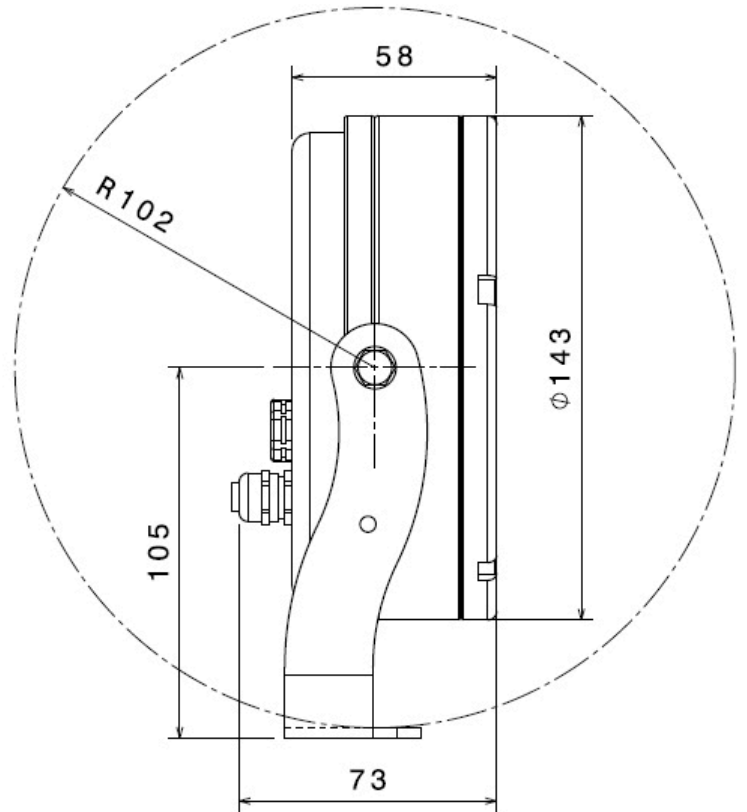
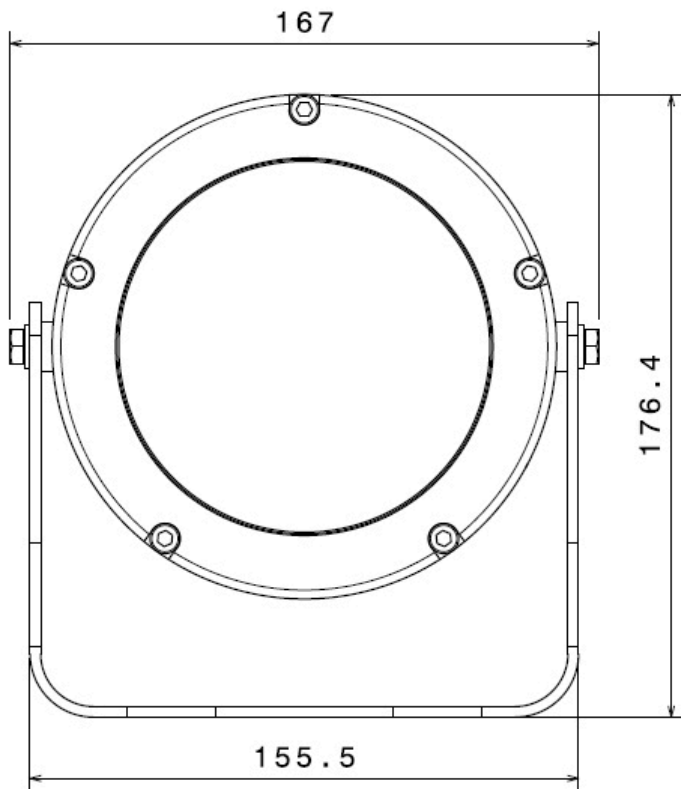
2 Kg

### **Accessories**

Top Hat kit grey glitter finish (D.T.S. Code 03.LA.151.04)  
350mA Constant current LED PSU (D.T.S. Code 0502T032.1)  
500mA Constant current LED PSU (D.T.S. Code 0502T047)  
530mA Constant current LED PSU (D.T.S. Code 0502T070)  
700mA Constant current LED PSU (D.T.S. Code 0502T031)

## DIMENSIONS

EOS 6 FC  
EOS 9 WHITE



## **EOS 6 R FC**

### **D.T.S. Product codes:**

03.EOS001E21FC10	EOS 6 R FC Narrow lenses
03.EOS001E21FC25	EOS 6 R FC Medium flood lenses
03.EOS001E21FC40	EOS 6 R FC Wide flood lenses

### **LED technology**

6 x FULL RGBW LEDs; 2700K - 6500K Colour temperature range; 2300 Lumens  
LEDs average lifespan: 75.000 hours (70% lumen output)

### **Optical units**

3 lenses sets available: Narrow, Medium flood, Wide flood

### **Control**

DMX 512

### **Protection**

IP 67

### **Construction**

EOS 6 R FC is made on aluminium and stainless steel, features a reinforced structure with a round flange for recessed installation

### **Power supply**

Electronic full-range 90-260Vac 50-60Hz  
Z1 PLUS, Z8 or DRIVENET 832 LED Controller

### **Power consumption**

42W

### **Connection**

Cable with M12 male connector (1 m length)

### **Operating ambient temperature**

-10° / 40°

### **Weight**

2,5 Kg

### **Accessories**

Outercase IP20 for EOS R (D.T.S. Code 03.LA.190)  
Z1 PLUS IP20 LED Controller (D.T.S. Code 03.LA.009P)  
Z1 PLUS IP65 LED Controller (D.T.S. Code 03.LA.009P.IP65)  
Z8 LED Controller M12 outputs (D.T.S. Code 03.LA.075.V2)  
Z8 LED Controller Screw terminals outputs (D.T.S. Code 03.LA.080.V2)  
DRIVENET 832 LED Controller Screw terminals outputs (D.T.S. Code 03.LA.177)

## **EOS 9 R WHITE**

### **D.T.S. Product codes:**

03.EOS003E99WB10	EOS 9 R WHITE 3000K Narrow lenses
03.EOS003E99WB25	EOS 9 R WHITE 3000K Medium flood lenses
03.EOS003E99WB40	EOS 9 R WHITE 3000K Wide flood lenses

### **LED technology**

9 x WHITE 3000K LEDs (2700K, 4000K or 5600K WHITE LEDs also available); 1260 Lumens  
LEDs average lifespan: 75.000 hours (70% lumen output)

### **Optical units**

3 lenses sets available: Narrow, Medium flood, Wide flood

### **Control**

On-Off

### **Protection**

IP 67

### **Construction**

EOS 9 R WHITE is made on aluminium and stainless steel, features a reinforced structure with a round flange for recessed installation

### **Power supply**

Electronic full-range 90-260Vac 50-60Hz  
350mA, 500mA or 700mA Max Constant current LED PSU

### **Power consumption**

18W Max

### **Connection**

2 x 0,85 sq mm cable (1 m length)

### **Operating ambient temperature**

-10° / 40°

### **Weight**

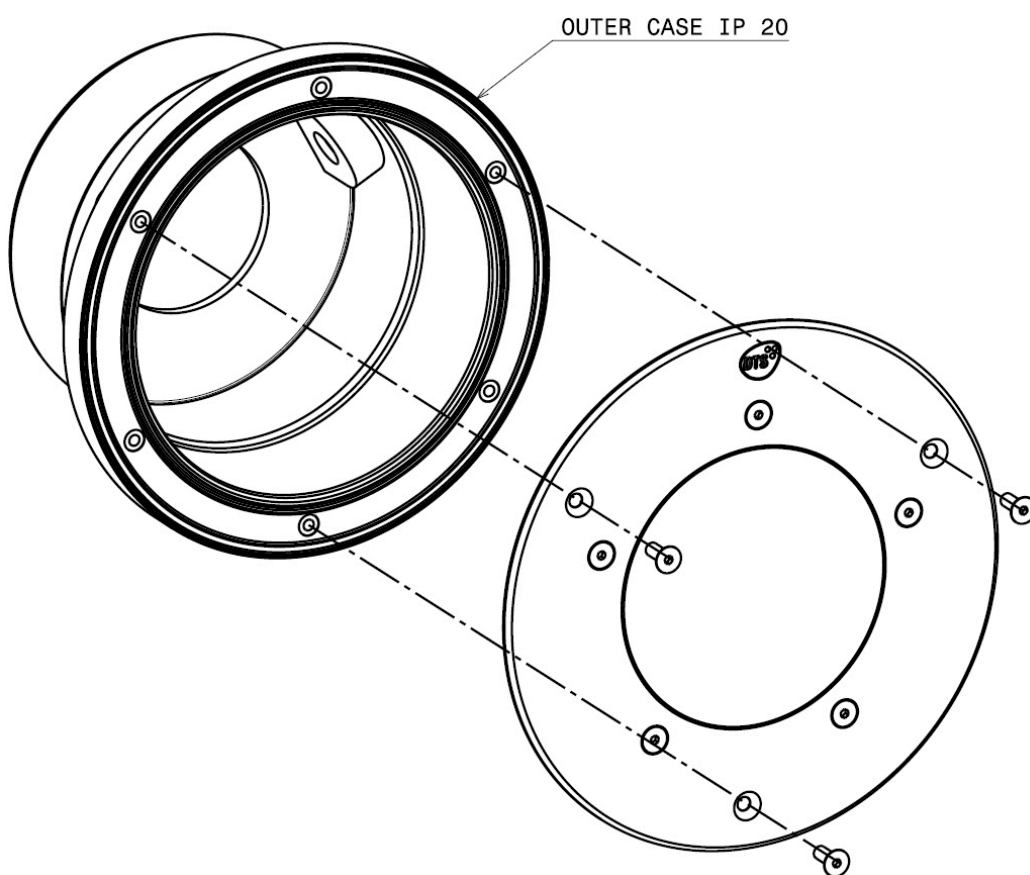
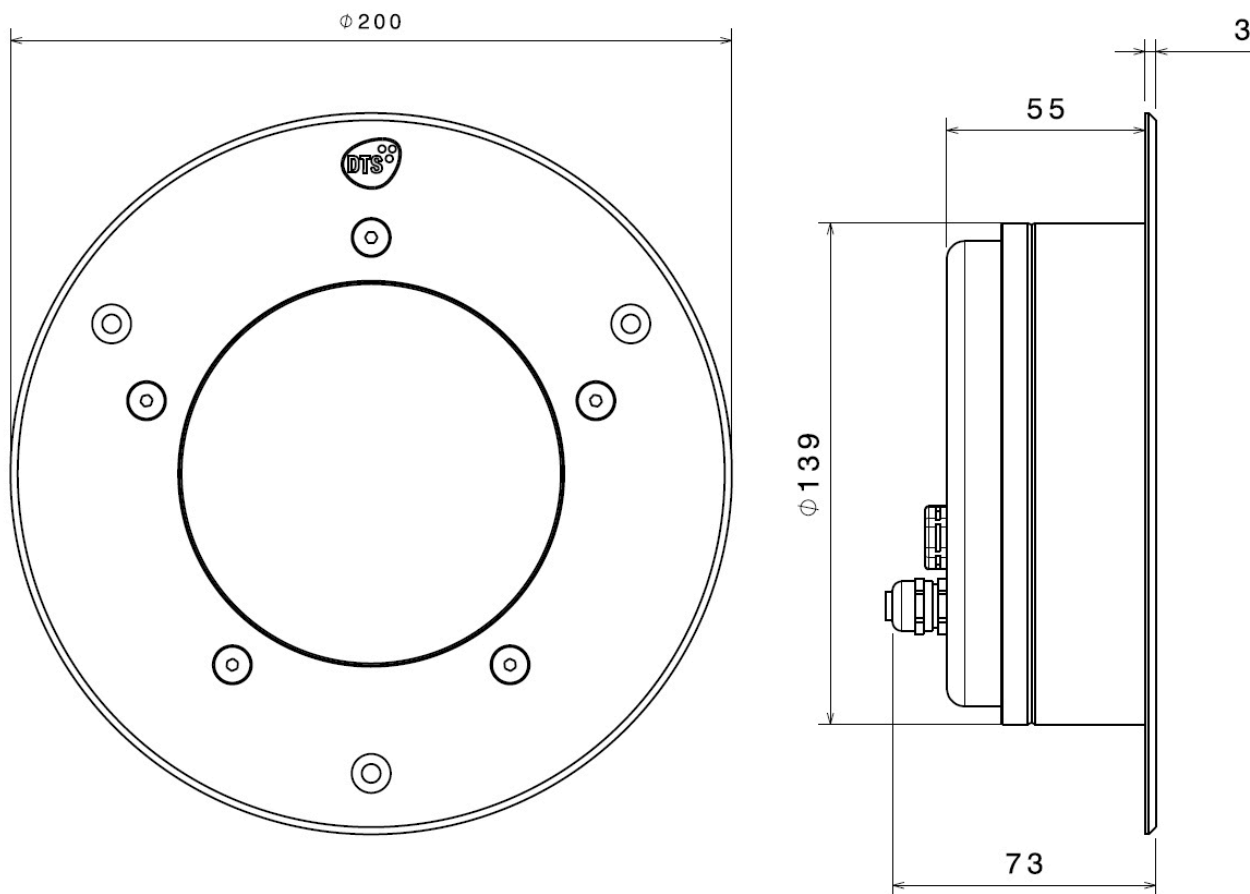
2 Kg

### **Accessories**

Outercase IP20 for EOS R (D.T.S. Code 03.LA.190)  
350mA Constant current LED PSU (D.T.S. Code 0502T032.1)  
500mA Constant current LED PSU (D.T.S. Code 0502T047)  
530mA Constant current LED PSU (D.T.S. Code 0502T070)  
700mA Constant current LED PSU (D.T.S. Code 0502T031)

DIMENSIONS

EOS 6 R FC  
EOS 9 R WHITE





## IMPORTANT SAFETY INFORMATION

### **Fire prevention:**

It is permissible to place the unit on normally flammable surfaces.

Suitable for mounting on normally flammable materials surfaces greater than 200°C with some combustion time lag.

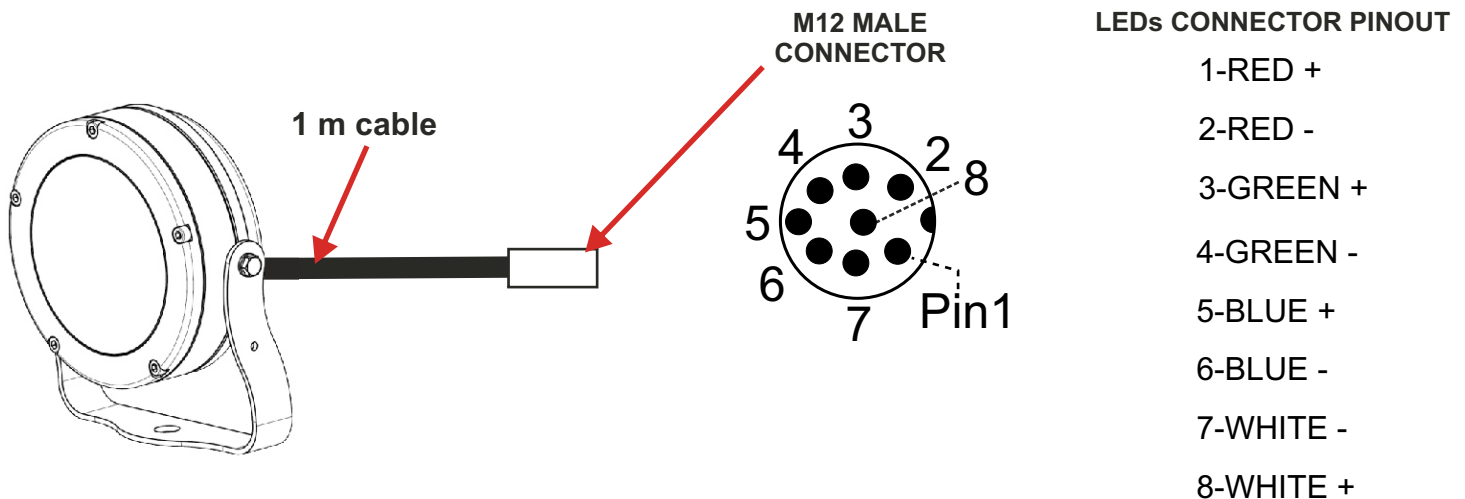
### **Safety:**

The external surface of the unit may exceed 50°C; never handle the unit until at least 5 minutes have elapsed since the unit was turned off.

The ambient temperature should not exceed 40°C and should not be lower than -10°C.

## CONNECTION

EOS 6 FC and EOS 6 R FC are provided with a cable with M12 male connector (1 m length).



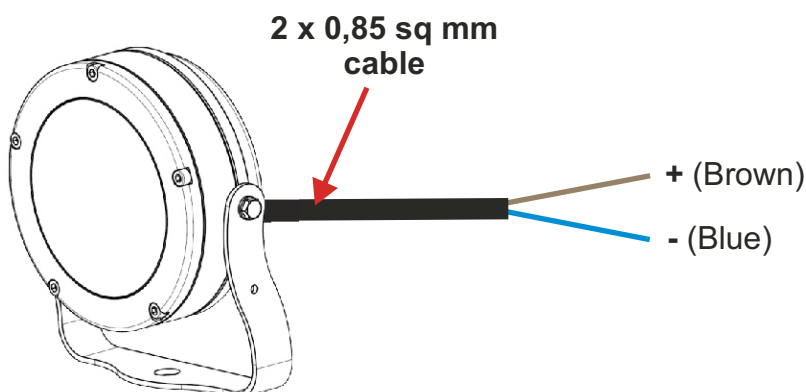
The maximum distance between the Z1 PLUS or DRIVENET 832 LED Controller and the unit should not exceed 100 meters.

The maximum distance between the Z8 LED Controller and the unit should not exceed 50 meters.

EOS 9 WHITE and EOS 9 R WHITE are provided with a 2 x 0,85 sq mm cable (1 m length).

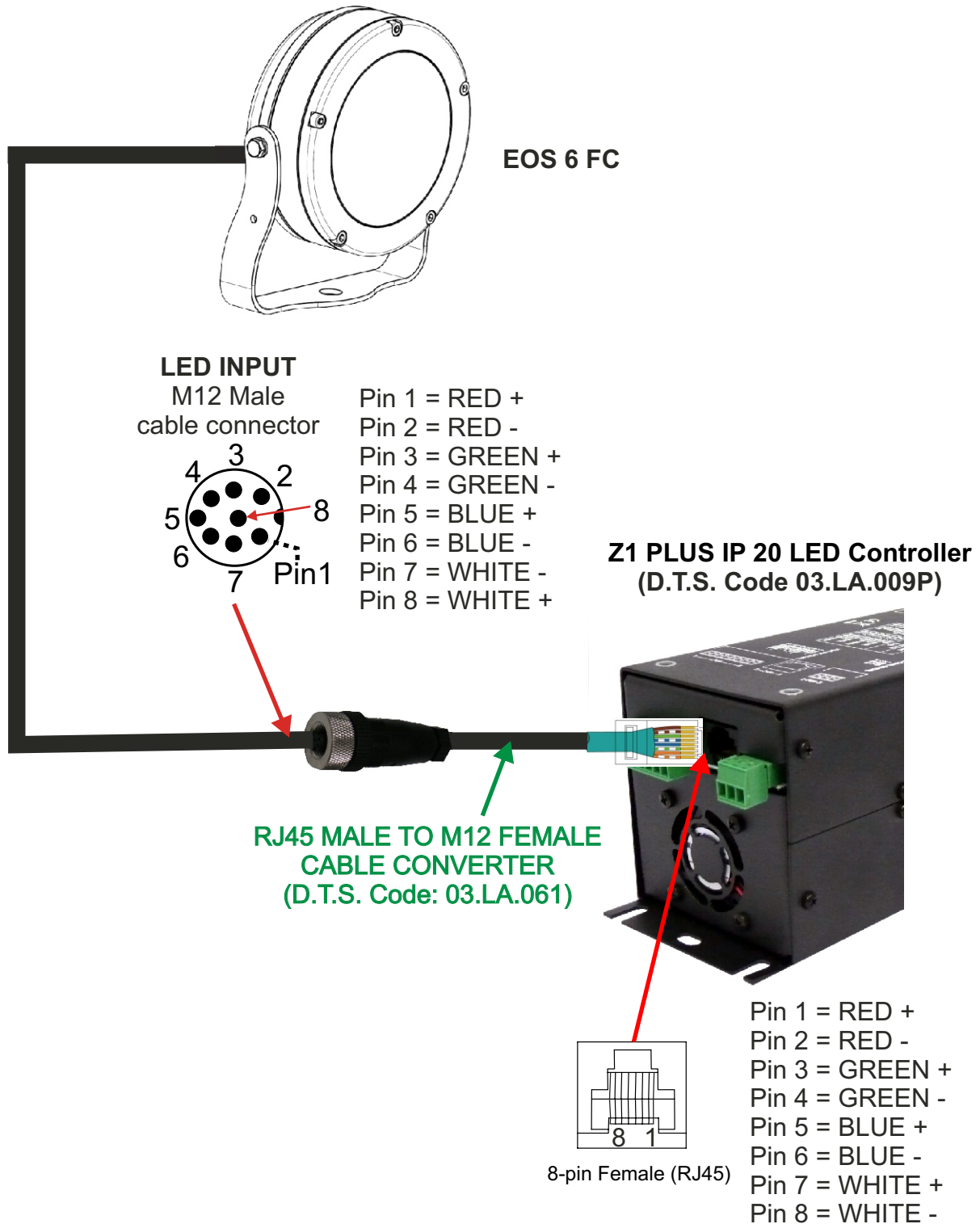
Brown wire = +

Blue wire = -



The maximum distance between the power supply and the unit should not exceed 15 meters.

## WIRING DIAGRAMS

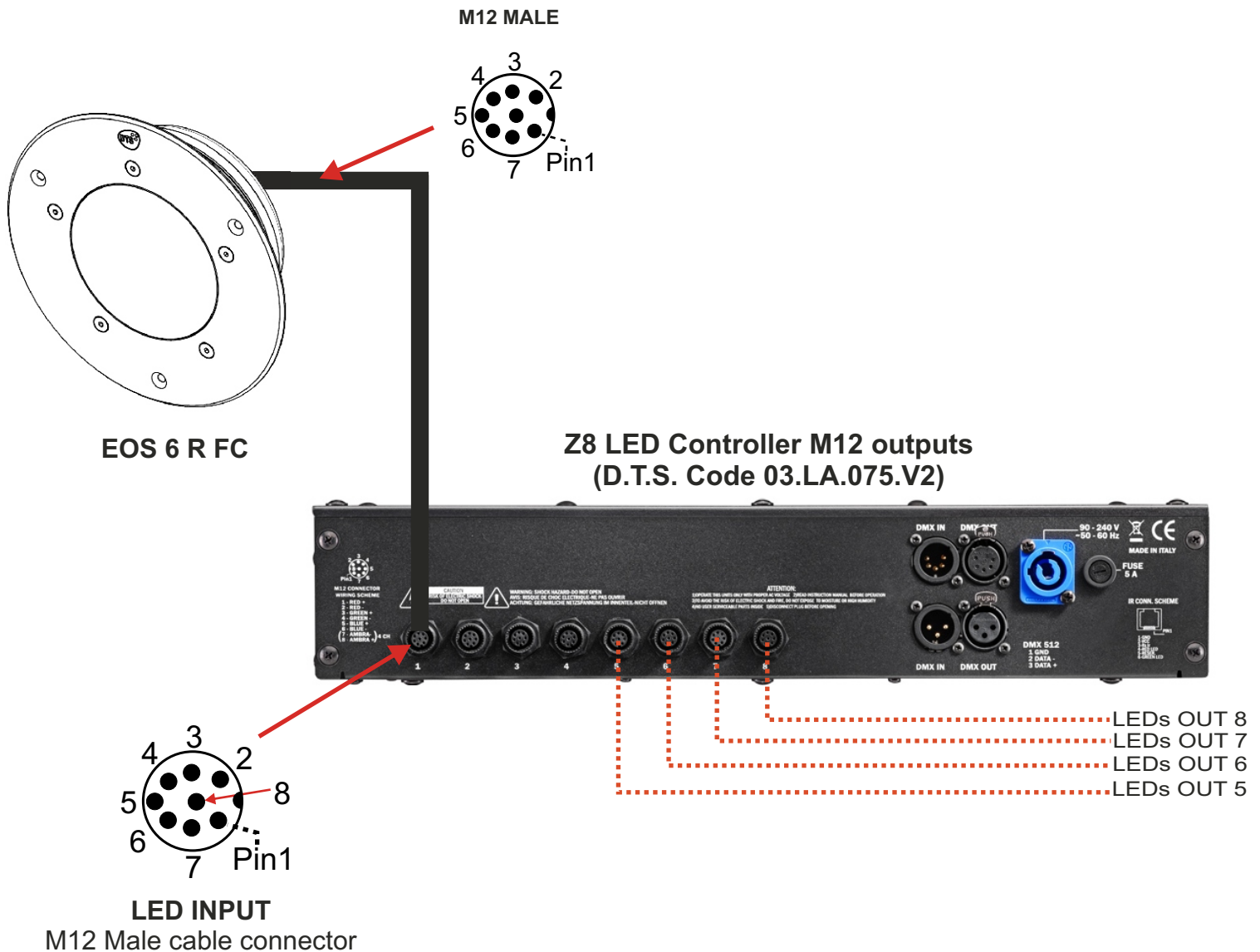


The maximum number of EOS 6 FC and EOS 6 R FC connectable to each output of the Z1 PLUS LED Controller is 1 piece.

The maximum distance between the power supply and the unit should not exceed 100 meters.

Never plug in a new unit when the power supply is turned on.

## WIRING DIAGRAMS

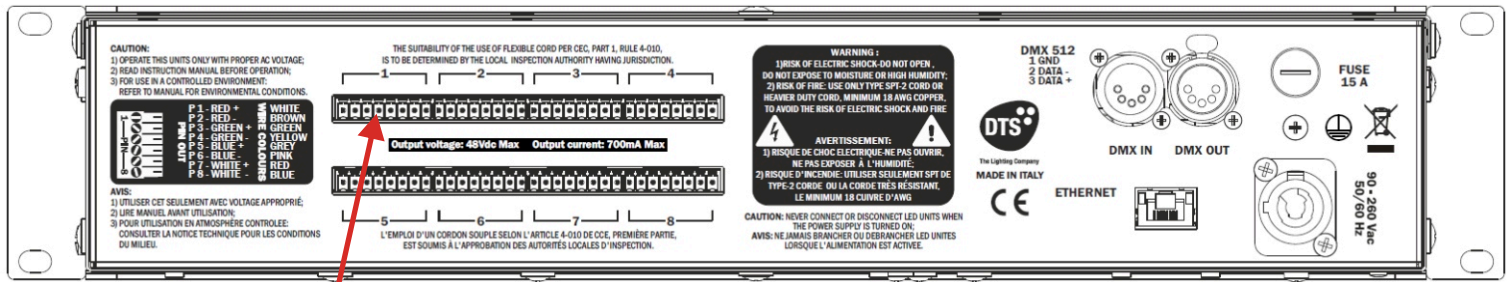


The maximum number of EOS 6 FC and EOS 6 R FC connectable to each output of the Z8 LED Controller is 1 piece.

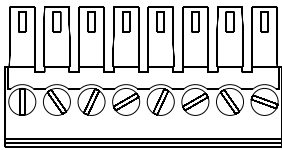
The maximum distance between the power supply and the unit should not exceed 50 meters.

Never plug in a new unit when the power supply is turned on.

# WIRING DIAGRAMS



8 poles screw terminals



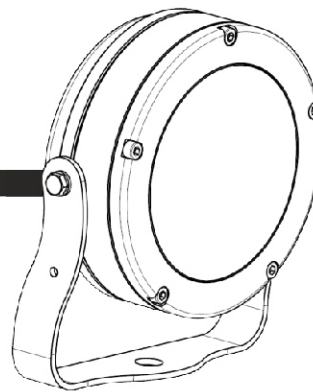
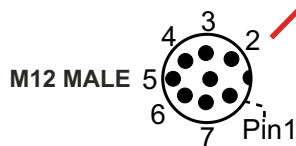
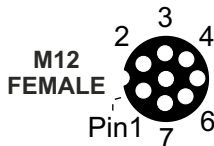
1-----PIN-----8

LEDs OUTPUT 1

1	2	3	4	5	6	7	8
R+	R-	G+	G-	B+	B-	W+	W-

CONNECTION		
PIN OUT	LED	WIRES COLOURS
PIN 1	RED +	WHITE
PIN 2	RED -	BROWN
PIN 3	GREEN +	GREEN
PIN 4	GREEN -	YELLOW
PIN 5	BLUE +	GREY
PIN 6	BLUE -	PINK
PIN 7	WHITE +	RED
PIN 8	WHITE -	BLUE

8 poles Screw terminals to M12 female cable converter



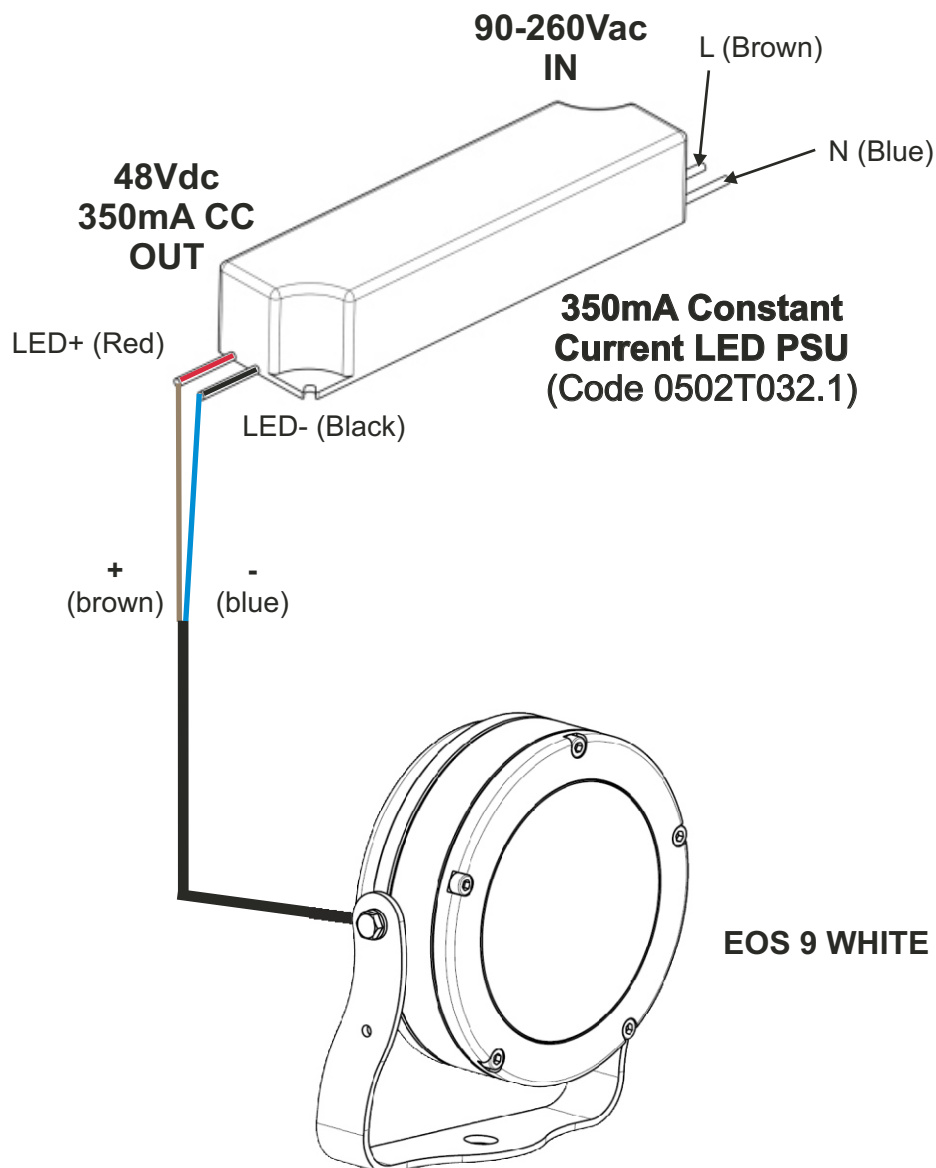
EOS 6 FC

The maximum number of EOS 6 FC and EOS 6 R FC connectable to each output of the DRIVENET 832 LED Controller is 1 piece.

The maximum distance between the power supply and the unit should not exceed 100 meters.

Never plug in a new unit when the power supply is turned on.

## WIRING DIAGRAMS



The maximum number of EOS 9 WHITE or EOS 9 R WHITE connectable to a 350mA, 500mA or 700mA Constant current LED PSU is 1 piece.

The maximum distance between the power supply and the unit should not exceed 15 meters.

Never plug in a new unit when the power supply is turned on.



### **WARNING:**

**EOS 9 WHITE UNIT MUST BE DRIVEN ONLY WITH CONSTANT CURRENT PSU.  
DO NOT CONNECT THE UNIT TO ANY 12-24Vdc PSU, IT WILL BE DAMAGED.**

**NOTES**

**NOTES**

The information contained in this publication has been carefully prepared and checked. However, no responsibility will be taken for any errors. All rights are reserved and this document cannot be copied, photocopied or reproduced, in part or completely, without prior written consent from D.T.S.

D.T.S. reserves the right to make any aesthetic, functional or design modifications to any of its products without prior notice. D.T.S. assumes no responsibility for the use or application of the products or circuits described herein.

**MADE IN ITALY**



**The Lighting Company**

**ISO 9001:2008**

D.T.S. quality system  
is certified to the  
ISO 9001:2008 standard



D.T.S. products are designed  
and manufactured at the D.T.S.  
plants in Italy



05171255