

CLS

Jade Colour Flow

Track fixtures

Create Atmosphere without Concessions



Jade Colour Flow

CLS Jade Colour Flow

With the Jade Colour Flow series, CLS introduces a whole new generation of rail fixtures that excels in light quality, light efficiency & build quality. The Jade Colour Flow offers an unprecedented homogeneous colour mix and a light output that is higher than any other fixture with the same dimensions. You can use the fixture for both white and colour light applications.

The CLS Jade is manufactured in The Netherlands and includes a **warranty of not less than 5 years**. Besides this, it is offered at a truly competitive price thanks to clever production techniques.

The design and features have been developed in close collaboration with leading lighting designers. They were empowered to appoint all the product features they would like to see in a series of fixtures. From a series of various designs, the current design was unanimously chosen by lighting designers working for museum & gallery projects as well as lighting designers and architects from the retail market.

What makes the CLS Jade series so unique in terms of specifications & light perception?

High Light Efficiency

The Jade fixtures are equipped with a unique RGBW LED module with no less than 12 white LEDs and 18 colour LEDs. The LED module uses the latest generation of Lumileds high power chips.

The Jade offers a total effective light output of no less than 1450 lumens with 700 lumens of white light and 750 lumens of coloured light. No other fixture of these dimensions matches this output.



RGB-W



1450 Lumen

Extreme Homogeneous Colour Mixing

Due to a special placement of the LED chips on the PCB in combination with a patent pending 'colour mixing dome', the colour mix is unprecedented homogeneous. Even at a short distance a beautiful shadow-free colour mix is the result of intensive optical engineering.



High Level of Visual Comfort

The Jade is equipped with an internal snoot, with the result that the glare that is often characteristic for spots with high light output, is substantially absent. The light comfort is further perfected by the standard fitted soft diffusion filter with a light transmission of at least 94%. Due to this unique filter, the beam is incredibly soft and homogeneous.

Protection of the LED Light Source and Reflector

Both LED module and reflector are protected from dust and pollution by a protection filter.

Because of the deposit of dirt on the reflector and the light source, the final light output of a fixture can be reduced up to 40%. The Jade is optimally protected and will therefore show a steady light image with optimum light output for years.

Choice of Beam Angles

You can choose from a 23°, 45° or 69° beam. An oval beam is possible on request, please ask your local CLS representative for more details.





This is Holland, The Netherlands

Wide Range of Accessories

The Jade Colour Flow is standard equipped with an accessory holder. Accessories can be assembled within a few seconds.

CLS offers a wide range of accessories for the Jade. In this way, demanding light designers can create the ultimate light image.

Designers can choose the following standard accessories:



Half cut snoot



Snoot



Honey comb louvre



Rotatable barndoor

The accessories are available in both black and white finish. To prevent disturbing reflections, the white accessories are black coated on the inside for minimum reflection and glare.

Controlling

The Jade Colour Flow can be controlled via the DMX 512 protocol. There are hundreds of DMX 512 controllers available in the most varied price ranges.

For applications where no data rail is available or desirable, a version will be available in the first quarter of 2018, which will be controllable on a standard 3-phase rail via an App.

**DMX
512**



In Perfect harmony with Each Environment

The Jade is standard available in white, gray & black finish. In addition, it is possible to order the fixture in specific RAL colours on a project basis. (MOQ applies)

This grants architects and designers the ultimate creative freedom and - for instance - allows for harmonization with corporate identity colours of retail chains.



Fully Prepared for the Future

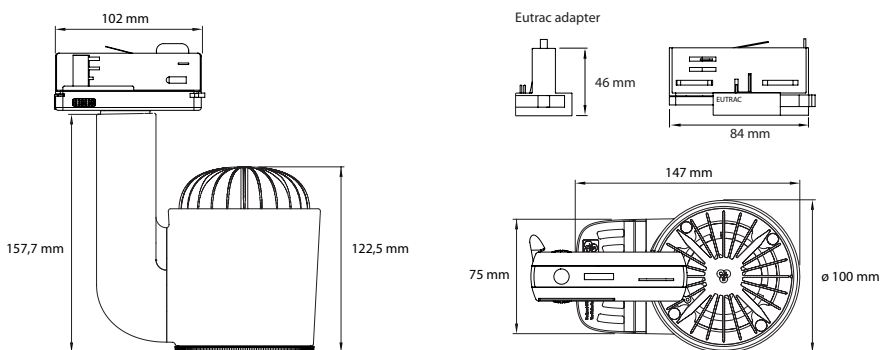
All individual parts are easily interchangeable, which means that the Jade is fully prepared for future developments.

A Sound Investment

Components of the highest possible quality are used for the production of the Jade, without compromise. The patented heat sink ensures optimum cooling of the light source, so that the potential 50.000 hour life length can actually be achieved.

Unlike many other suppliers on the market who only claim to do so, **CLS actually designs and produces its fixtures in The Netherlands**. CLS belongs to a group of companies with more than 25 years of expertise in the professional lighting business. This provides additional reassurance for years to come.

Measurements Jade Colour Flow



Technical specifications

LED:	CLS Dynamic Colour CoB
Available colours:	RGBW
Power supply:	100 - 240 VAC
Power consumption:	Max. 30 Watt (1450 lm module)
Housing:	Black, grey or white PVC (PC-ABS V0) Heatsink black, grey or white coated aluminium
Swivel:	340° horizontal, 350° vertical
Beam angles:	23°, 45° or 69°
IP value:	IP20
Ambient temperature:	-10 °C till 40 °C

Icons

