

# CLS

# Jade S

Track fixtures

Optimum light output & realizing huge savings



# Jade S

## CLS Jade S

With the Jade S, CLS introduces a whole new generation of rail fixtures that excels in light quality, light efficiency & build quality.

The CLS Jade is manufactured in The Netherlands and includes a **warranty of not less than 5 years**. Besides this, it is offered at extremely competitive prices thanks to clever production techniques.

The Jade S is the standard version of the Jade series. For specific retail applications and applications in museums and galleries, tailor-made versions are available.

(Jade Retail & Food, Jade Expo)

The design has been developed in close collaboration with leading lighting designers. They were empowered to appoint all the product features they would like to see in a series of fixtures. From a series of various designs, the current design was unanimously chosen by designers from both the museum world as well as lighting designers and architects from the Retail.

**What makes the CLS Jade series so unique in terms of specifications & light perception?**

## High Light Efficiency

The Jade fixtures are equipped with a Citizen LED module. Citizen is a Japanese manufacturer which is the world market leader in the domain of so-called LED CoB modules. The Jade fixtures are characterized by a high light output. The LED modules offer a effective light output up to 3500 lumens.

All versions of the Jade have an energy label of A+ or higher.



## High Level of Visual Comfort

The Jade is equipped with an internal snoot, with the result that the glare that is often characteristic for spots with high light output, is substantially absent. The light comfort is further perfected by the standard fitted soft diffusion filter with a light transmission of at least 94%. Due to this unique filter, the beam is incredibly soft and homogeneous.

## Excellent Colour Rendering & Wide Choice of Light Colours

CLS offers architects and designers a wide choice of light colours. Where for some applications a maximum light output will be the most important criterion, for other applications the quality of colour reproduction might be the most important criterion. With a wide choice of light colours and CRI values, it is possible to create the right light image for each application.



## Protection of the LED Light Source and Reflector

Unlike many other fixtures, with the Jade both the LED light source and also the light reflector are optimally protected against pollution, thanks to the soft diffusion filter.

Because of the deposit of dirt on the reflector and the light source, the final light output of a fixture can be reduced up to 40%. The Jade is optimally protected and will therefore show a steady light image with optimum light output for years.

## Wide Choice of Beam Angles

You can choose from a 19°, 37° or 63° beam.





K26, The Netherlands

### In Perfect Harmony with Each Environment

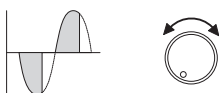
The Jade is by default available in the colours white, grey and black. In addition, it is possible to obtain the fixture in almost every RAL colour for certain project sizes.

This grants architects and designers the ultimate creative freedom and - for instance - allows for harmonization with corporate identity colours of retail chains.



### Dimming

In contrast to traditional CDMT, PL and HQI light sources, it is possible to dim the Jade via the easily applicable mains dimmable principle or via Local dim through potentiometer on the housing. For more dimming possibilities, you can use the Jade Expo.



### Fully Prepared for the Future

All individual parts can easily be replaced in a matter of minutes, meaning that the Jade is fully prepared for future developments.

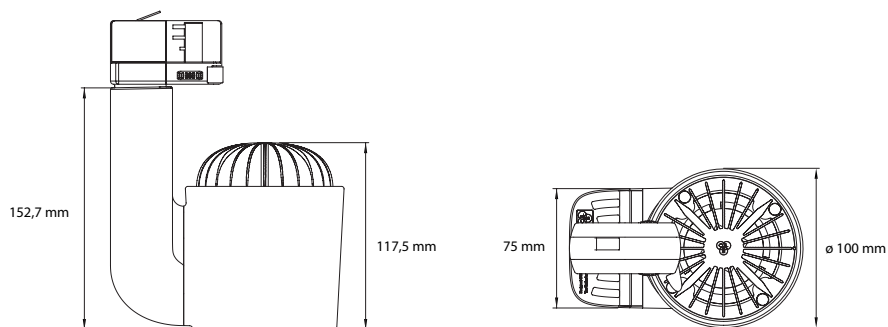
Should you decide in future, and for whatever reason, to also require changing the LED source into a source with a different colour temperature, CRI value or even with higher light output, than this can be realized in a rather easy way.

### A Sound Investment

Components of the highest possible quality are used for the production of the Jade, without compromise. The patented heat sink ensures optimum cooling of the light source, so that the potential 50.000 hour life length can actually be achieved.

Unlike many other suppliers on the market who only claim to do so, **CLS actually designs and produces its fixtures in The Netherlands**. CLS belongs to a group of companies with more than 25 years of expertise in the professional lighting business.

## Measurements Jade S



## Technical specifications

LED:	Citizen
Available colours:	CRI 80: 2700K, 3000K & 4000K CRI 90: 2700K, 3000K & 4000K
Power supply:	100 - 240 VAC
Power consumption:	Max. 20 Watt (2000 lm module) Max. 30 Watt (3500 lm module)
Housing:	Black, grey or White plastic (PC-ABS V0) Heatsink black, grey or white coated aluminium
Swivel:	340° horizontal, 350° vertical
Beam angles:	19°, 37° & 63°
IP value:	IP20
Ambient temperature:	-10 °C till 40 °C

## Icons

