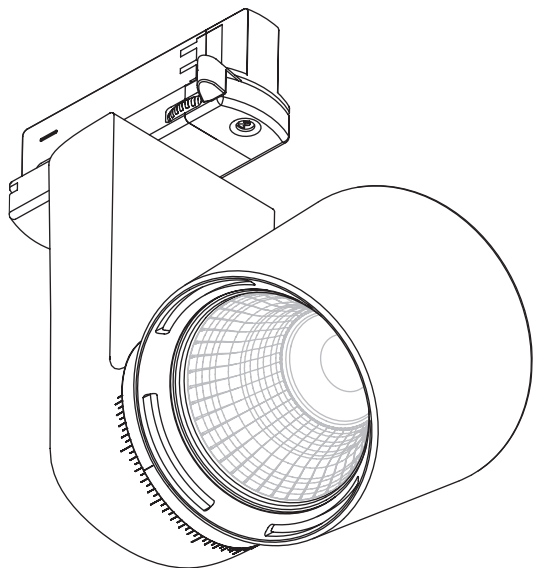


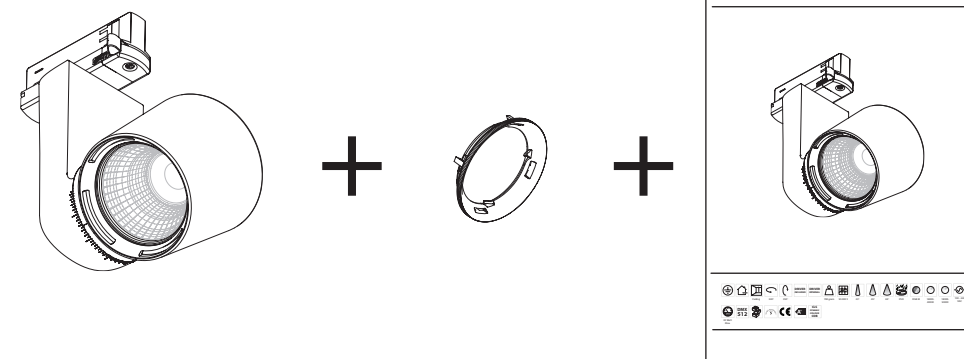
Index	2	Installation Eutrac	5	Honey comb assembly	10
Safety information	2	Programming	6	Accessories	11
Content	2	Factory setting table	6	Accessory combinations	11
Technical	3	Programming table	7	List of symbols	12
Specifications	3	Barndoor assembly	8		
Installation Global	4	Snoot / half snoot assembly	9		

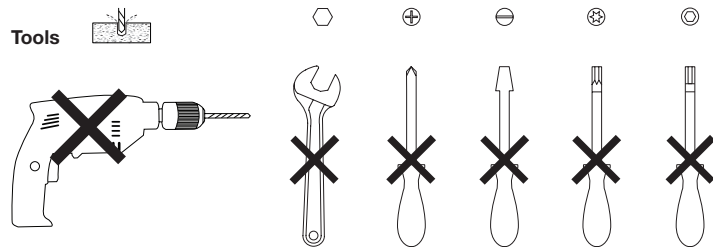
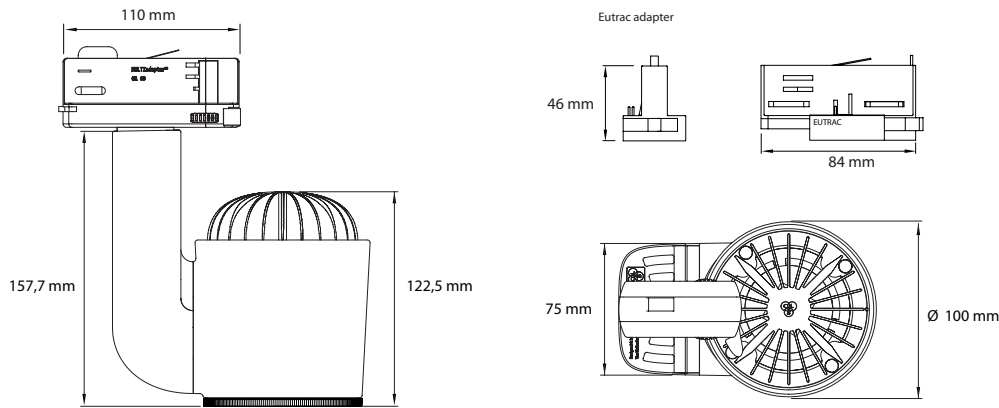


## SAFETY INFORMATION

Make sure all connectors are connected properly	Use a source of AC power that complies to local electrical codes	Block access below the work area when maintaining the unit	Don't modify or install genuine parts on this product	Don't install in a flammable or explosive area	Warning! Some surfaces can be hot

## CONTENT

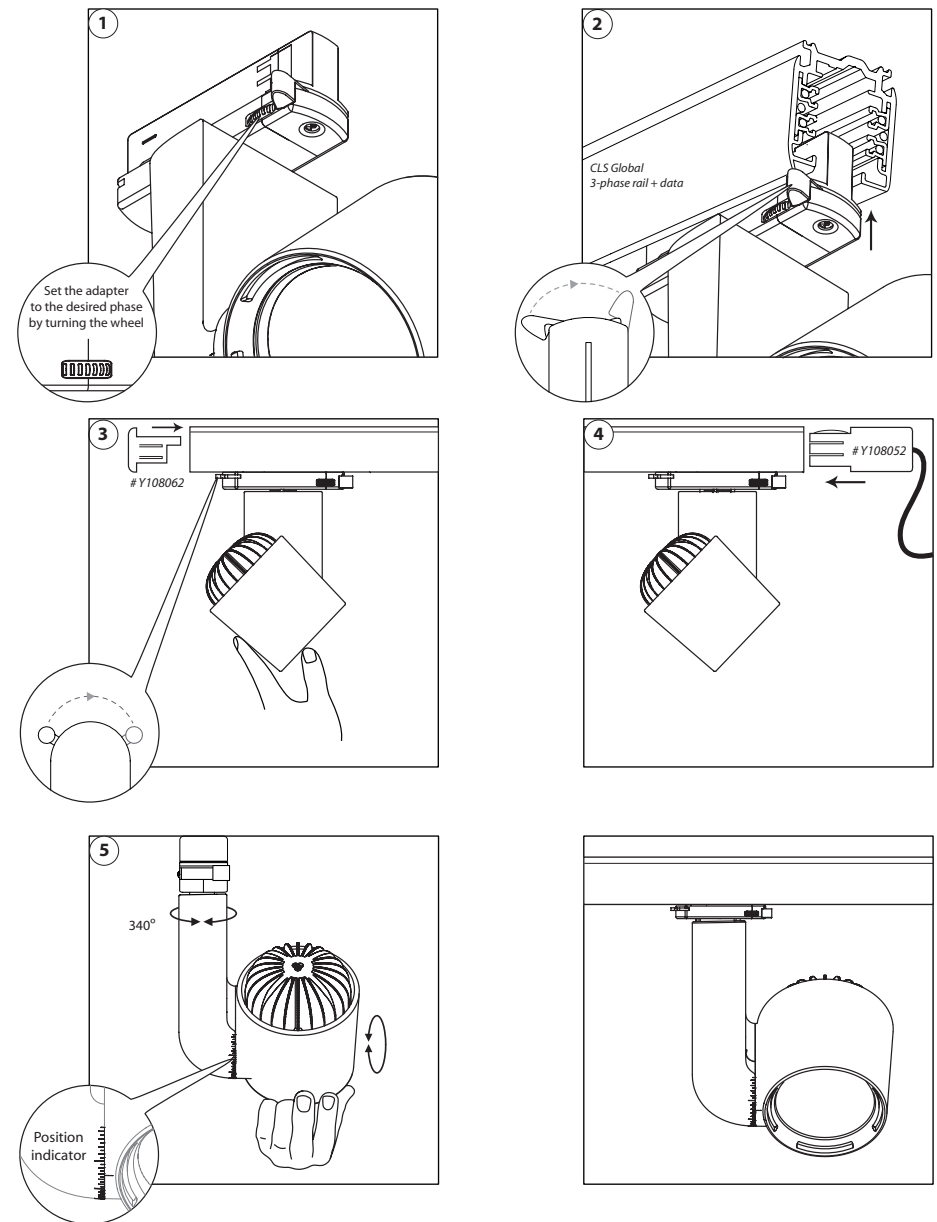


### SPECIFICATIONS

LED:	CLS Dynamic Colour CoB
Colour changing:	RGB-W
Tunable White:	1800-4000K & 2700K-5000K
Beam angle:	23°, 45° or 69°
Power supply:	100 - 240 VAC
Power consumption:	Max. 30 Watt (1450 lumen)
Housing:	Black, grey or white PC (PC-ABS V0) Heatsink black, grey or white coated aluminium
Weight:	780 gram
IP value:	IP20
Measurements:	157,7 x 100 x 100 mm (h x w x d)
Ambient temperature:	-10° C till +40° C

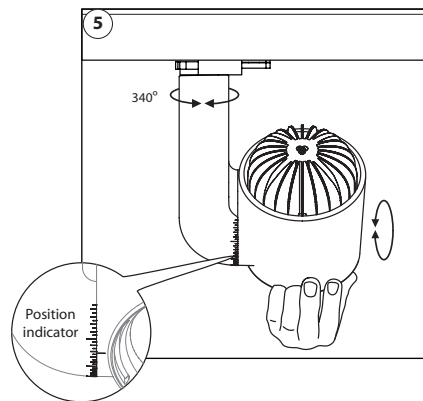
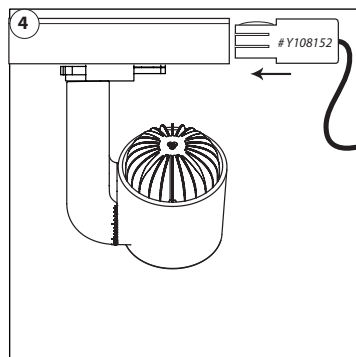
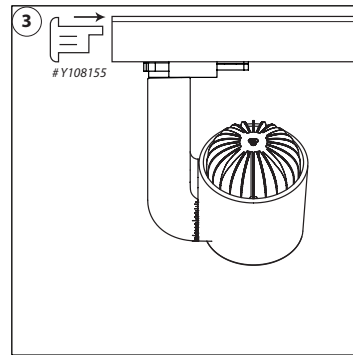
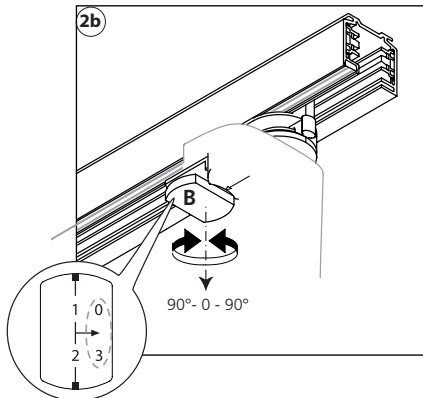
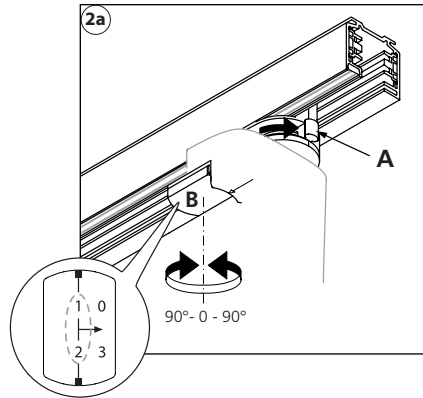
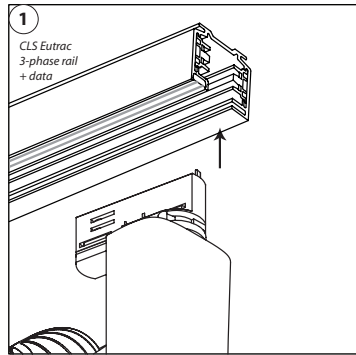
2018 CLS-LED BV. All rights reserved. Information subject to change without notice. CLS-LED BV and all affiliated companies disclaim liability for injury, damage direct or indirect loss, consequential or economic loss or any other loss occasioned by the use of, inability to use or reliance on the information contained in this manual. No part of this manual may be reproduced, in any form or by any means, without permission in writing from CLS-LED BV. Other legal information can be found in our General conditions, found on the back of your CLS-LED BV invoice, inside the CLS catalogue or on our website [www.cls-led.com/General-Terms.pdf](http://www.cls-led.com/General-Terms.pdf)



# INSTALLATION

WITH EUTRAC ADAPTER

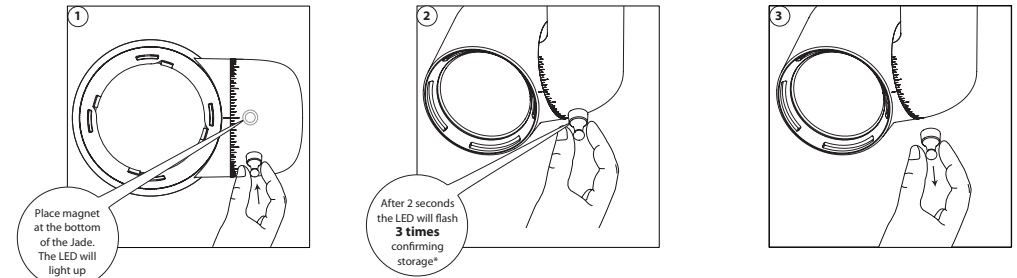
# PROGRAMMING



All settings can be configured via DMX. Settings can be configured at once or separately. When one or a couple settings needs to be changed just leave all other setting values zero. This keeps those settings unchanged. Please check the table for more information.

Always use a DMX controller with digital interface. If not available, you can purchase the CLS D-ta DMX addresser unit (#122200).

First make sure to set the DATA on the DMX controller. To program the setting into the LED fixture follow the next steps.



\* If the LEDs flashes 10 times, something went wrong. Please try again. If the problem continues to occur, please contact your local sales distributor.

## FACTORY SETTING TABLE

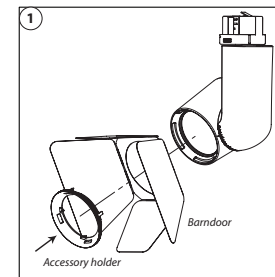
FACTORY SETTING TABLE													
Row #	Fixture type	Address	Static behavior	Soft dim	Master control	Output 1 patch	Output 2 patch	Output 3 patch	Output 4 patch	Static output 1	Static output 2	Static output 3	Static output 4
1	RGBW	1	1	Off	Off	1 (R)	2 (G)	3 (B)	4 (W)	255	255	255	255
2	RGBA	1	1	Off	Off	1 (R)	2 (G)	3 (B)	4 (A)	255	255	255	255
3	AWB	1	1	Off	Off	3 (B)	2 (W)	1 (A)	2 (W)	255	255	255	255
4	1800-3000K	1	1	Off	Off	1 (18)	2 (30)	1(18)	2(30)	255	255	255	255
5	1800-4000K	1	1	Off	Off	1 (18)	2 (40)	1(18)	2(40)	255	255	255	255
6	2700-5000K	1	1	Off	Off	1 (27)	2 (50)	1(27)	2(50)	255	255	255	255
7	Single colour	1	1	Off	Off	1	1	1	1	255	255	255	255

**!** Max. 20 pieces of Jade Colour Flow can be connected in a group.  
Max. 20 pieces of Jade Colour Flow per DMX line on a rail.

# PROGRAMMING TABLE

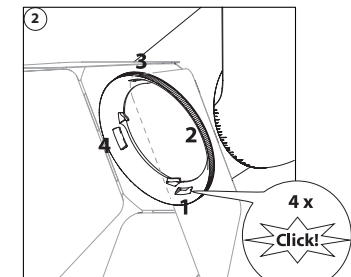
PROGRAMMING TABLE				
DMX	Function	Data	Parameters	Description
CH1	Set address 001 to 255	0 1...255	0 = no change DMX address = 1...255	Use this DMX channel to set address from 001 to 255. The configured DMX address is called "n"
CH2	Set address 256 to 508	0 1...255	no change DMX address = 256...508	Use this DMX channel to set address from 256 to 508. The configured DMX address is called "n"
CH3	Static behavior	0	no change	If no DMX is present the fixture will respond like set in this function.
		1	last DMX value	
		2	output off	
		3	load static values	
CH4	Soft dim	0	no change	Soft dim will interpolate between the DMX values. This function makes the dim curve smoother
		1	off	
		2	on	
CH5	Master control	0	no change	If master is first channel is selected the channel will be DMX channel "n". If master is last channel is selected the channel will be "n+x" ("x" is calculated in the output patch).
		1	no master used	
		2	master is first channel	
		3	master is last channel	
CH6	Output 1 patch	0	no change	Each output channel can be patched to respond to the desired DMX channel. This enables the user to mix up the colours according to the controller that is used.
		1	DMX channel n	
		2	DMX channel n+1	
		3	DMX channel n+2	
		4	DMX channel n+3	
CH7	Output 2 patch	0	no change	<b>Example: all outputs are patched as 1</b> All outputs will be controlled by DMX channel "n". If master is used total DMX channels will be 2 otherwise it uses 1 channel ("x" = 1).
		1	DMX channel n	
		2	DMX channel n+1	
		3	DMX channel n+2	
		4	DMX channel n+3	
CH8	Output 3 patch	0	no change	<b>Example: output 1&amp;2 are patched as 1 and 3&amp;4 are patched as 2</b> Output 1&2 will be controlled by DMX channel "n". Output 3&4 will be controlled by DMX channel "n+1".
		1	DMX channel n	
		2	DMX channel n+1	
		3	DMX channel n+2	
		4	DMX channel n+3	
CH9	Output 4 patch	0	no change	If master is used total DMX channels will be 3 otherwise it uses 2 channels ("x" = 2).
		1	DMX channel n	
		2	DMX channel n+1	
		3	DMX channel n+2	
		4	DMX channel n+3	
CH10	Static output 1	0	no change	Each output channel can be set to an static intensity.
		1	output off	
		2...255	intensity 2...255	
CH11	Static output 2	0	no change	If no DMX is present and Static behavior is set to "load static values". The outputs will be set to the configured intensity values.
		1	output off	
		2...255	intensity 2...255	
CH12	Static output 3	0	no change	
		1	output off	
		2...255	intensity 2...255	
CH13	Static output 4	0	no change	
		1	output off	
		2...255	intensity 2...255	
CH14	Load default settings	0 x	no change Load Factory settings. X is row number factory setting table.	This function resets all settings to the Factory setting. Check Factory setting table.

# BARNDOOR ASSEMBLY



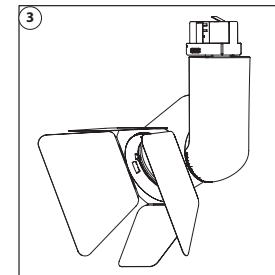
**NL** Plaats de accessoire houder met de 4 klikvingers in het midden van de montage gleuf op de Jade.

**UK** Place the accessory holder with the 4 click fingers in the middle of the mounting slot on the Jade.



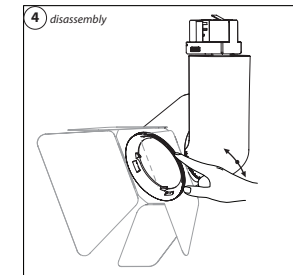
Druk krachtig aan, u dient een duidelijke 'klik' te horen.

Push firmly until you hear a clear 'Click' sound.



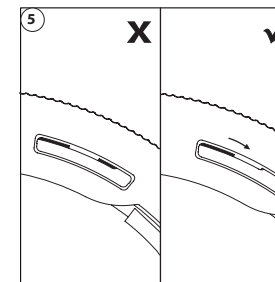
Als u de barndoor wilt roteren voor een juiste positie, dient u dit met 1 hand te doen en met de andere hand de accessoire houder op zijn plaats te houden.  
**Doet u dit niet, dan kunt u de accessoire houder losklikken!**

If you want to rotate the barndoor to find the desired position, you need to keep the accessory holder with one hand on its place.  
**If you don't do this you might release the accessory holder!**



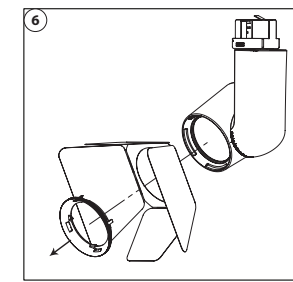
Verwijderen van de barndoor: draai de accessoire houder geheel naar links of naar rechts tot deze niet meer verder kan.

Removing the barndoor: rotate the accessory holder fully to the right or left, until you are not able to rotate it any further.



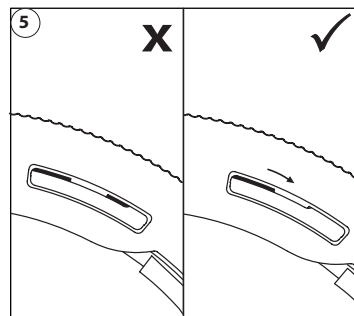
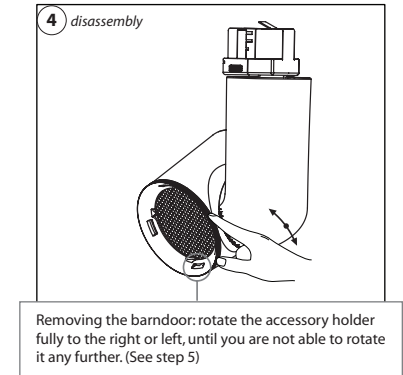
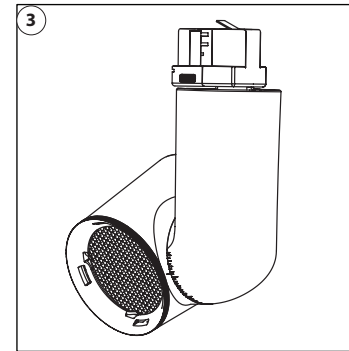
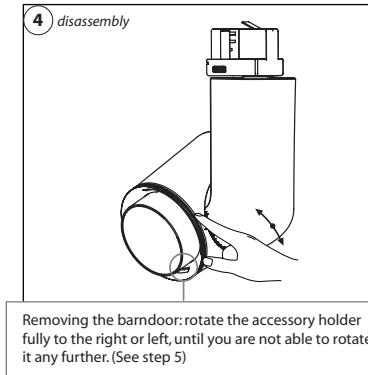
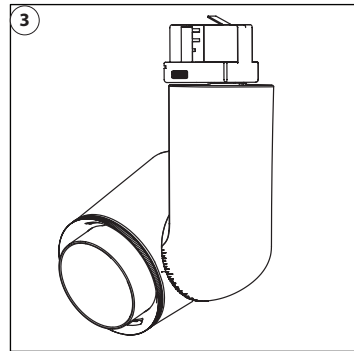
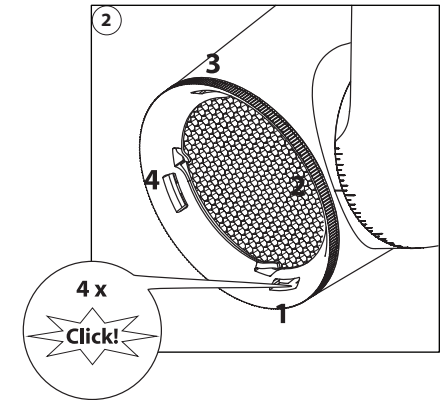
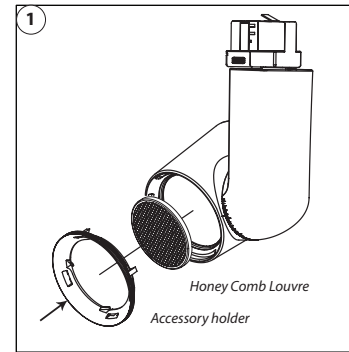
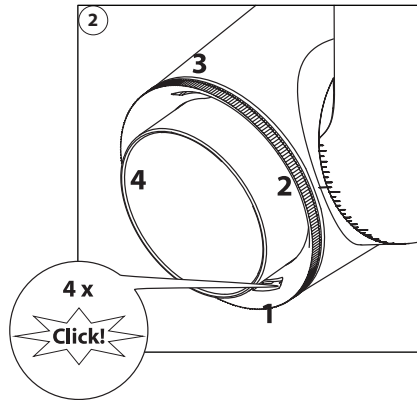
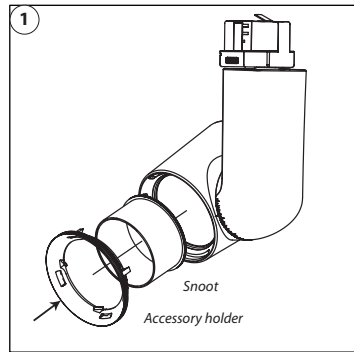
U voelt een weerstand en kunt nu de accessoire houder naar voren halen.

When you feel the resistance, pull the accessory holder out of the mountingslot.

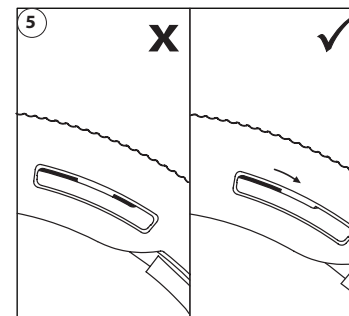
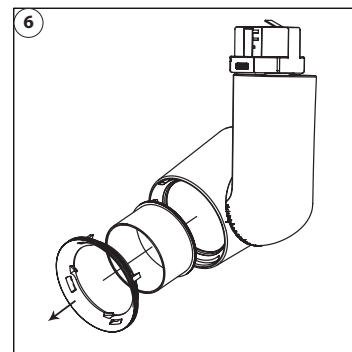


# SNOOT / HALF SNOOT ASSEMBLY

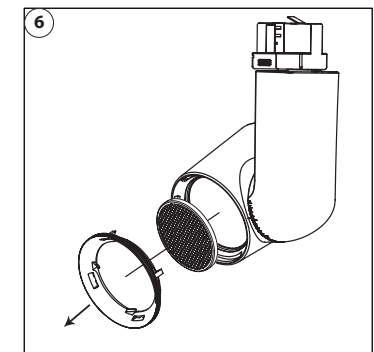
# HONEY COMB LOUVRE ASSEMBLY



When you feel the resistance, pull the accessory holder out of the mountingslot.



When you feel the resistance, pull the accessory holder out of the mountingslot.



# ACCESSORIES

## ACCESSORIES

### Global - black

Y108501-B	CLS Global 3-phase rail + data 1 meter black
Y108502-B	CLS Global 3-phase rail + data 2 meter black
Y108503-B	CLS Global 3-phase rail + data 3 meter black
Y108504-B	CLS Global 3-phase rail + data 4 meter black
Y108511-B	CLS Global 3-phase rail + data end feed right, black
Y108512-B	CLS Global 3-phase rail + data end feed left, black
Y108513-B	CLS Global 3-phase rail + data middle feed black
Y108515-B	CLS Global 3-phase rail + data L-coupler inner black
Y108516-B	CLS Global 3-phase rail + data L-coupler outer black
Y110938	CLS Global 3-phase rail + data end cap black

### Global - grey

Y108501-G	CLS Global 3-phase rail + data 1 meter grey
Y108502-G	CLS Global 3-phase rail + data 2 meter grey
Y108503-G	CLS Global 3-phase rail + data 3 meter grey
Y108504-G	CLS Global 3-phase rail + data 4 meter grey
Y108511-G	CLS Global 3-phase rail + data end feed right, grey
Y108512-G	CLS Global 3-phase rail + data end feed left, grey
Y108513-G	CLS Global 3-phase rail + data middle feed grey
Y108515-G	CLS Global 3-phase rail + data L-coupler inner grey
Y108516-G	CLS Global 3-phase rail + data L-coupler outer grey
Y110935	CLS Global 3-phase rail + data end cap grey

## ACCESSORIES

### Eutrac - white

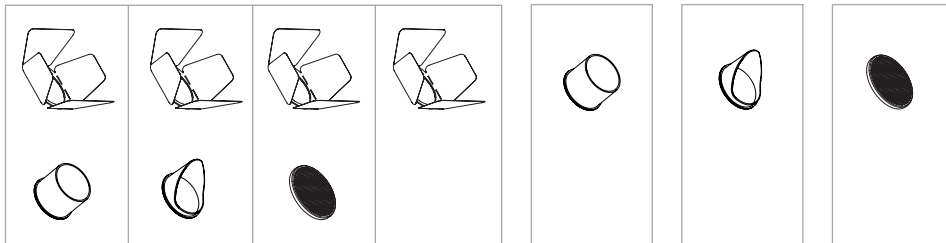
Y108133	CLS Eutrac 3-phase rail + data 3 meter white
Y108153	CLS Eutrac 3-phase rail + data end feed right, white
Y108163	CLS Eutrac 3-phase rail + data end cap white

122200	CLS D-Ta DMX tester/addresser unit
Y106016	CLS Magnet pin (4 pcs)
Y106200-B	CLS Jade Expo Snoot, black
Y106200-W	CLS Jade Expo Snoot, white (black inside)
Y106201-B	CLS Jade Expo Half Snoot, black
Y106201-W	CLS Jade Expo Half Snoot, white (black inside)
Y106202-B	CLS Jade Expo Barndoor, black
Y106202-W	CLS Jade Expo Barndoor, white (black inside)
Y106215	CLS Jade Expo Honey Comb louvre

### Eutrac - black

Y108112	CLS Eutrac 3-phase rail + data 1 meter black
Y108122	CLS Eutrac 3-phase rail + data 2 meter black
Y108132	CLS Eutrac 3-phase rail + data 3 meter black
Y108142	CLS Eutrac 3-phase rail + data 4 meter black
Y108152	CLS Eutrac 3-phase rail + data end feed right, black
Y108155	CLS Eutrac 3-phase rail + data end feed left, black
Y108158	CLS Eutrac 3-phase rail + data middle feed black
Y108162	CLS Eutrac 3-phase rail + data end cap black
Y108175	CLS Eutrac 3-phase rail + data L-coupler inner black
Y108178	CLS Eutrac 3-phase rail + data flex coupler black
Y108199	CLS Eutrac 3-phase + data monopoint black

## Accessory Combinations



# LIST OF SYMBOLS

	<b>Protection class</b> One, two or three		<b>Retail &amp; Food LED modules</b> Clothing, furniture, kitchens, jewellery, shoes, bread, meat, fish & vegetables & fruit.
	<b>Application area</b> Indoor or outdoor		<b>Colour</b> Available colours: Amber, blue, red or green
	<b>Application area</b> Floor, wall or ceiling		<b>White colour temperature</b> In different Kelvin values: Cold white, neutral white, warm white or extra warm white
	<b>Swivel</b> Fixture is horizontally rotatable, indicated in degrees		<b>Curve</b> Minimal bending curve in centimeters
	<b>Swivel</b> Fixture is vertically rotatable, indicated in degrees		<b>Cutting length</b> Indicated by the cutting marks
	<b>Multiple connection</b> Daisychain connectivity		<b>LED pitch</b> Pitch between the LEDs in millimeters
	<b>Installation depth</b> In centimeters		<b>Power supply</b> In VDC, VAC or milliAmpere
	<b>Installation size</b> In centimeters		<b>Power consumption</b> In VA or Watt
	<b>Cable length</b> Maximum cable attached to the fixture in centimeters		<b>Dimmable</b> 1-10 Volt, Phase, individual, DMX dimmable or DALI
	<b>Driver</b> Inclusive or exclusive Internal or external		<b>Bluetooth controlled</b> By Casambi
	<b>Weight</b> In grams/kilograms		<b>Magne dimming</b> Accurate dimming from 100 - 1% by using a magnet
	<b>Pressure</b> Maximum pressure on the fixture in kg/cm²		<b>Dynamic Control</b> Dynamic Power Control or Dynamic Temperature Control
	<b>Lifespan</b> Of the light source in hours		<b>DMX input</b> Fixture works on DMX512 protocol
	<b>Lenses</b> Available lenses, indicated in degrees		<b>Combined product</b> Compose your own fixture
	<b>LEDs</b> Kind of LED used in the fixture		<b>Warranty</b> 3 or 5 years warranty on the product
	<b>Plug &amp; play</b> Easy connection using the SmartConnect system		<b>Conformité Européenne</b> CE marking for free marketability of industrial goods within the EU
	<b>IP value</b> Ingress Protection classifies the degrees of protection provided against the intrusion of the product		<b>Energy label</b>
	<b>Colour changing</b> RGB, RGB-W, RGB-A, AWB or Tunable White		<b>Lightsource</b> Equipped with a CLS, Citizen or a Xicato LED module