

JADE EXPO

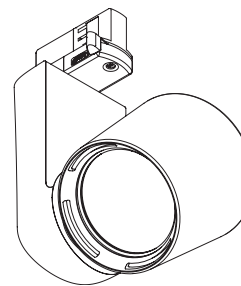
Index	2	Barndoor assembly	5
Safety information	2	Barndoor combi assembly	6
Content	2	Snoot / half snoot assembly	7
Technical	3	Honey comb louvre assembly	9
Specifications	3	Accessory combinations	9
Installation	4	Accessories	10

JADE EXPO DMX VERSION

Installation Global adapter	11
Installation Eutrac adapter	12
Programming	13
Factory settings table	13
Programming table	14
Accessories	15
List of symbols	16

SAFETY INFORMATION

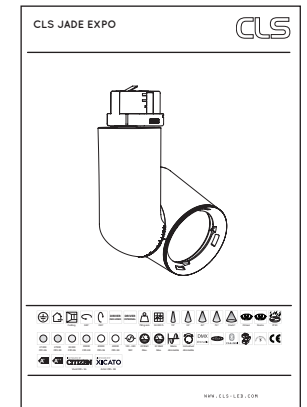
CONTENT



+

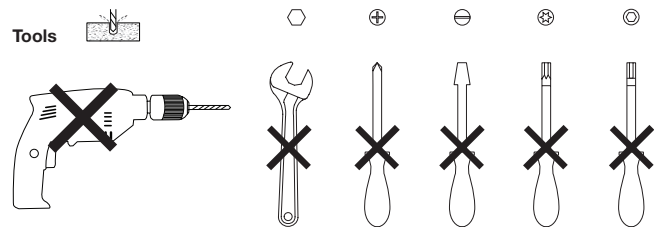
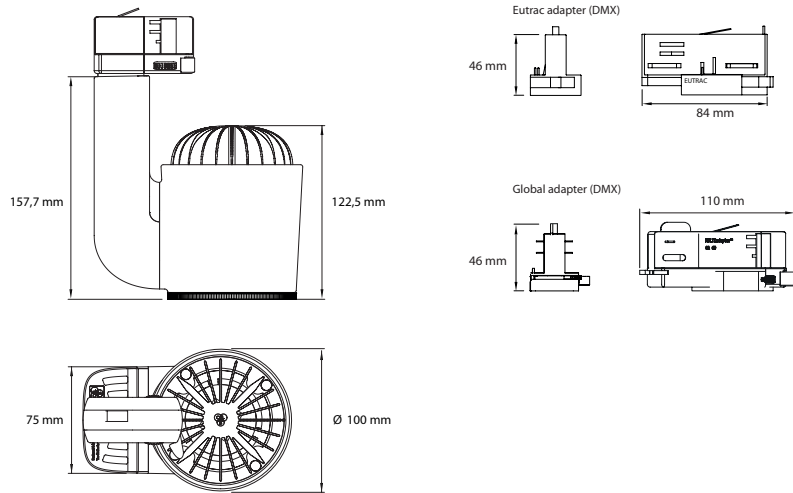


+



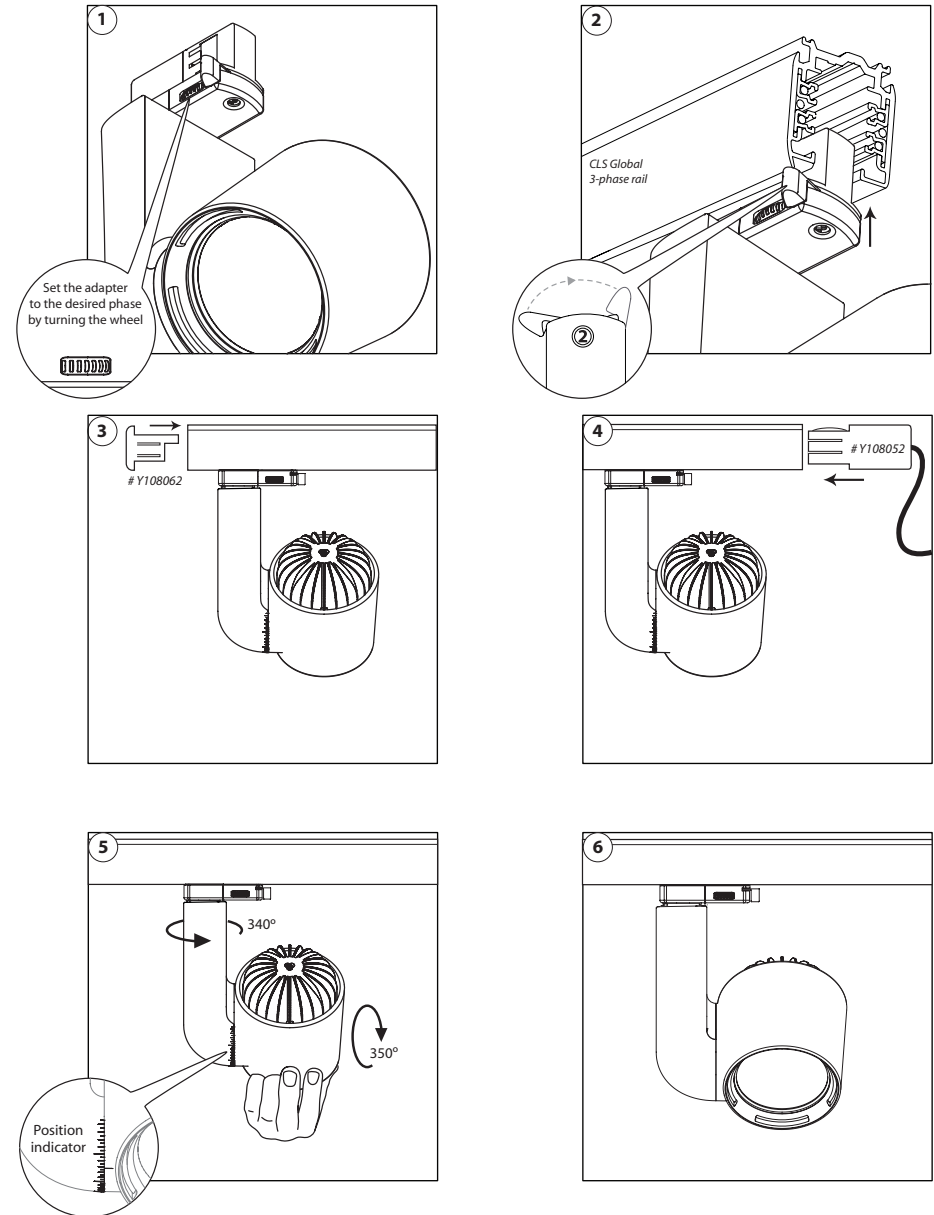
58055-E

		LIGHTSOURCE BY CITIZEN Vivid CRI> 96		LIGHTSOURCE BY XICATO Artist CRI> 98											



SPECIFICATIONS

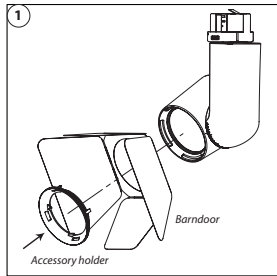
LED:	Citizen or Xicato
Single colours:	Citizen CRI 96: 2700K, 3000K & 4000K Xicato CRI 98: 2700K, 3000K & 4000K
Beam angle:	19°, 33°, 42°, 70° or 55 x 22°
Power supply:	100 - 240 VAC
Power consumption:	Max. 20 Watt (2000 lm module) Max. 30 Watt (3000 lm module)
Housing:	Black, grey or white PC (PC-ABS V0) Heatsink black, grey or white coated aluminium
Weight:	780 gram
IP value:	IP20
Measurements:	157,7 x 100 x 100 mm (hxxwx)
Ambient temperature:	-10° C till +40° C



BARNDOOR ASSEMBLY

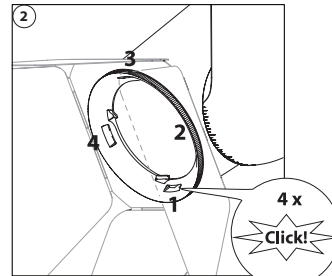
BARNDOOR COMBI ASSEMBLY

Example Barndoor & Snoot



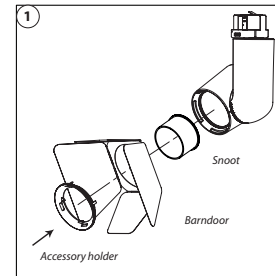
NL Plaats de accessoire houder met de 4 klikvingers in het midden van de montage gleuf op de Jade.

UK Place the accessory holder with the 4 click fingers in the middle of the mounting slot on the Jade.



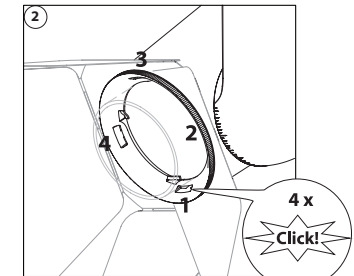
Druk krachtig aan, u dient een duidelijke 'klik' te horen.

Push firmly until you hear a clear 'Click' sound.



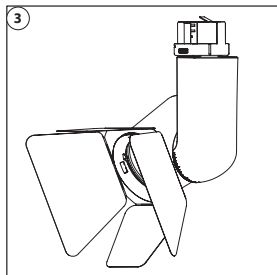
NL Plaats de accessoire houder met de 4 klikvingers in het midden van de montage gleuf op de Jade.

UK Place the accessory holder with the 4 click fingers in the middle of the mounting slot on the Jade.



Druk krachtig aan, u dient een duidelijke 'klik' te horen.

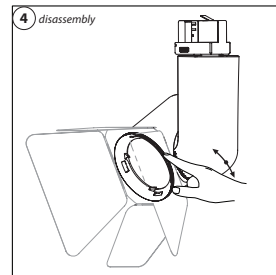
Push firmly until you hear a clear 'Click' sound.



Als u de barndoor wilt roteren voor een juiste positie, dient u dit met 1 hand te doen en met de andere hand de accessoire houder op zijn plaats te houden.

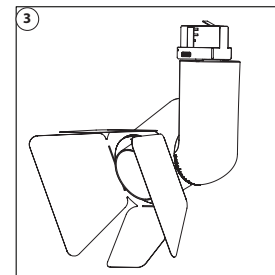
Doet u dit niet, dan kunt u de accessoire houder losklikken!

If you want to rotate the barndoor to find the desired position, you need to keep the accessory holder with one hand on its place. **If you don't do this you might release the accessory holder!**



Verwijderen van de barndoor: draai de accessoire houder geheel naar links of naar rechts tot deze niet meer verder kan.

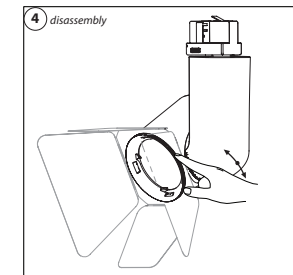
Removing the barndoor: rotate the accessory holder fully to the right or left, until you are not able to rotate it any further.



Als u de barndoor wilt roteren voor een juiste positie, dient u dit met 1 hand te doen en met de andere hand de accessoire houder op zijn plaats te houden.

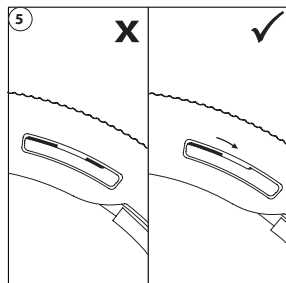
Doet u dit niet, dan kunt u de accessoire houder losklikken!

If you want to rotate the barndoor to find the desired position, you need to keep the accessory holder with one hand on its place. **If you don't do this you might release the accessory holder!**



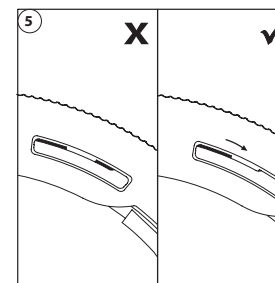
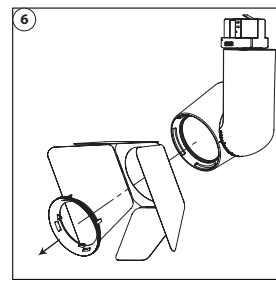
Verwijderen van de barndoor: draai de accessoire houder geheel naar links of naar rechts tot deze niet meer verder kan.

Removing the barndoor: rotate the accessory holder fully to the right or left, until you are not able to rotate it any further.



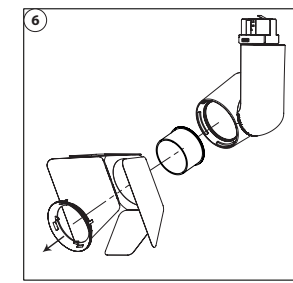
U voelt een weerstand en kunt nu de accessoire houder naar voren halen.

When you feel the resistance, pull the accessory holder out of the mountingslot.



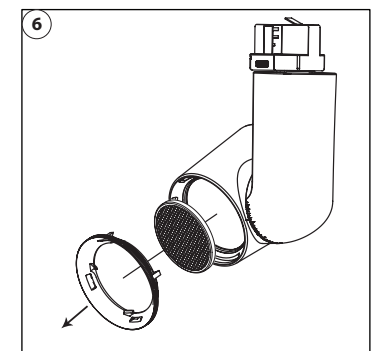
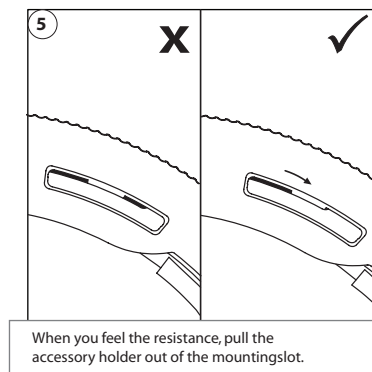
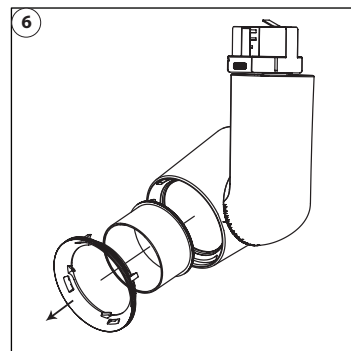
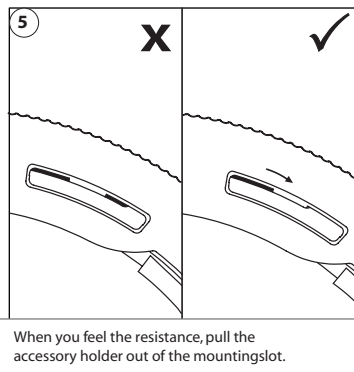
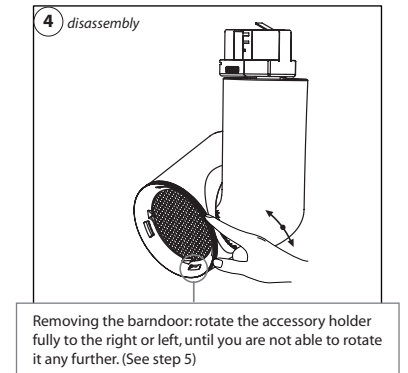
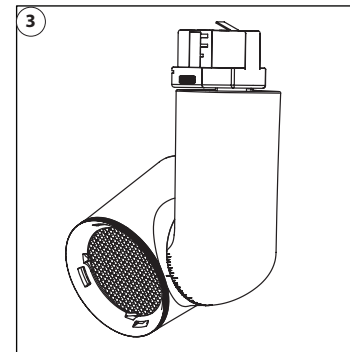
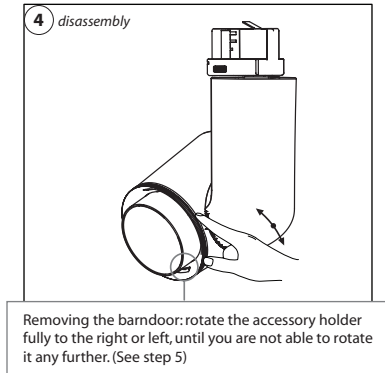
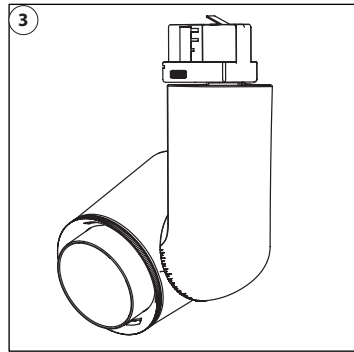
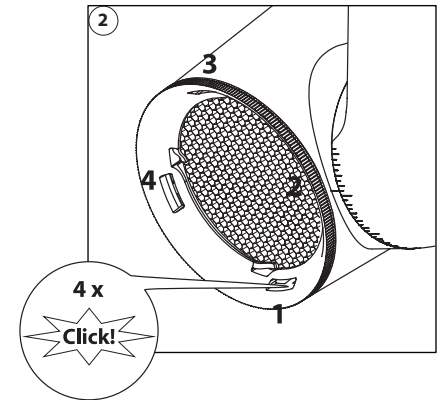
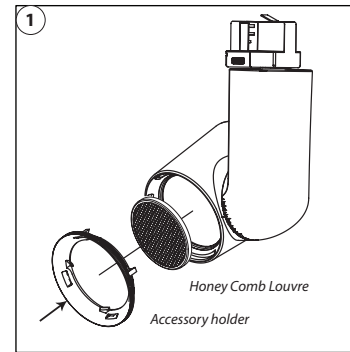
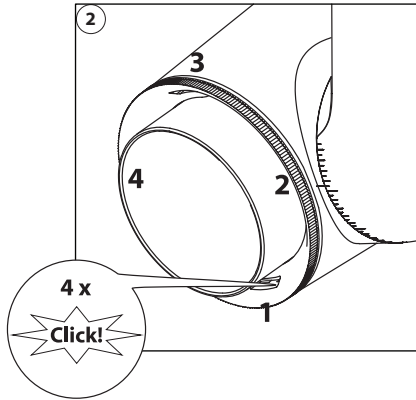
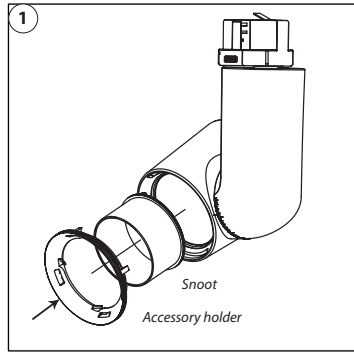
U voelt een weerstand en kunt nu de accessoire houder naar voren halen.

When you feel the resistance, pull the accessory holder out of the mountingslot.



SNOOT / HALF SNOOT ASSEMBLY

HONEY COMB LOUVRE ASSEMBLY



ACCESSORY COMBINATIONS

ACCESSORIES



Barndoor

Y106202-B
Y106202-W



Snoot

Y106200-B
Y106200-W



Half cut snoot

Y106201-B
Y106201-W



Beam shaper

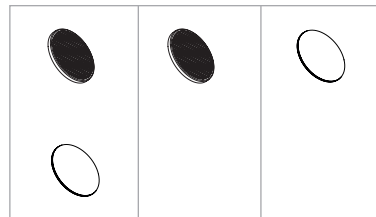
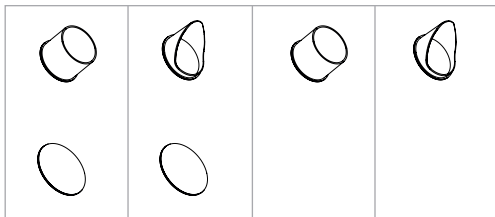
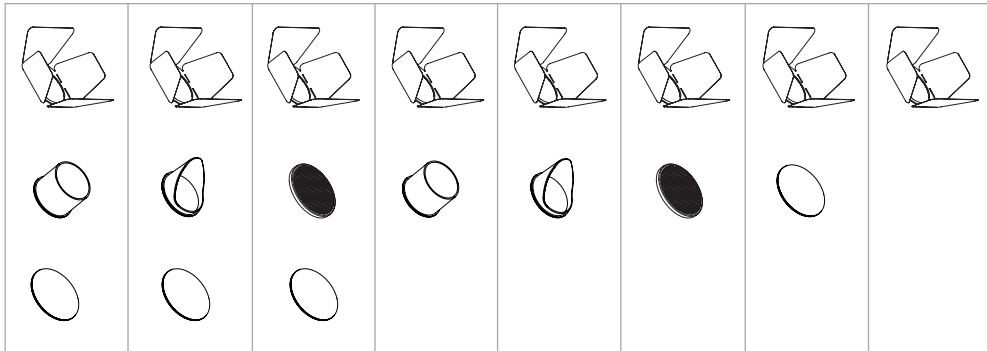
Y106211 33°
Y106212 42°
Y106213 70°
Y106214 55x22°



Honey comb louvre

Y106215

Combinations



ACCESSORIES

- Y110855-G CLS 3-phase multi adapter grey XTSA 68
- Y110855-W CLS 3-phase multi adapter white XTSA 68
- Y110855-B CLS 3-phase multi adapter black XTSA 68
- Y110880 CLS T-connector grey for 3-phaserail, ground left
- Y110881 CLS T-connector black for 3-phaserail, ground left
- Y110882 CLS T-connector white for 3-phaserail, ground left
- Y110925 CLS 3-phase rail 1mtr aluminum XTS 4100
- Y110926 CLS Global 3-phase rail 2 metre aluminum XTS 4200
- Y110927 CLS Global 3-phase rail 2mtr black XTS 4200
- Y110928 CLS Global 3-phase rail 3mtr aluminum XTS 4300
- Y110929 CLS Global 3-phase rail 4mtr aluminum XTS 4100
- Y110930 CLS Global 3-phase rail 3mtr white XTS 4300
- Y110931 CLS Global 3-phase rail 3mtr black XTS 4300
- Y110932 CLS Global 3-phase rail 4mtr black XTS 4400
- Y110935 CLS end piece for 3-phase rail grey XTS 41
- Y110938 CLS end piece for 3-phase rail black XTS 41

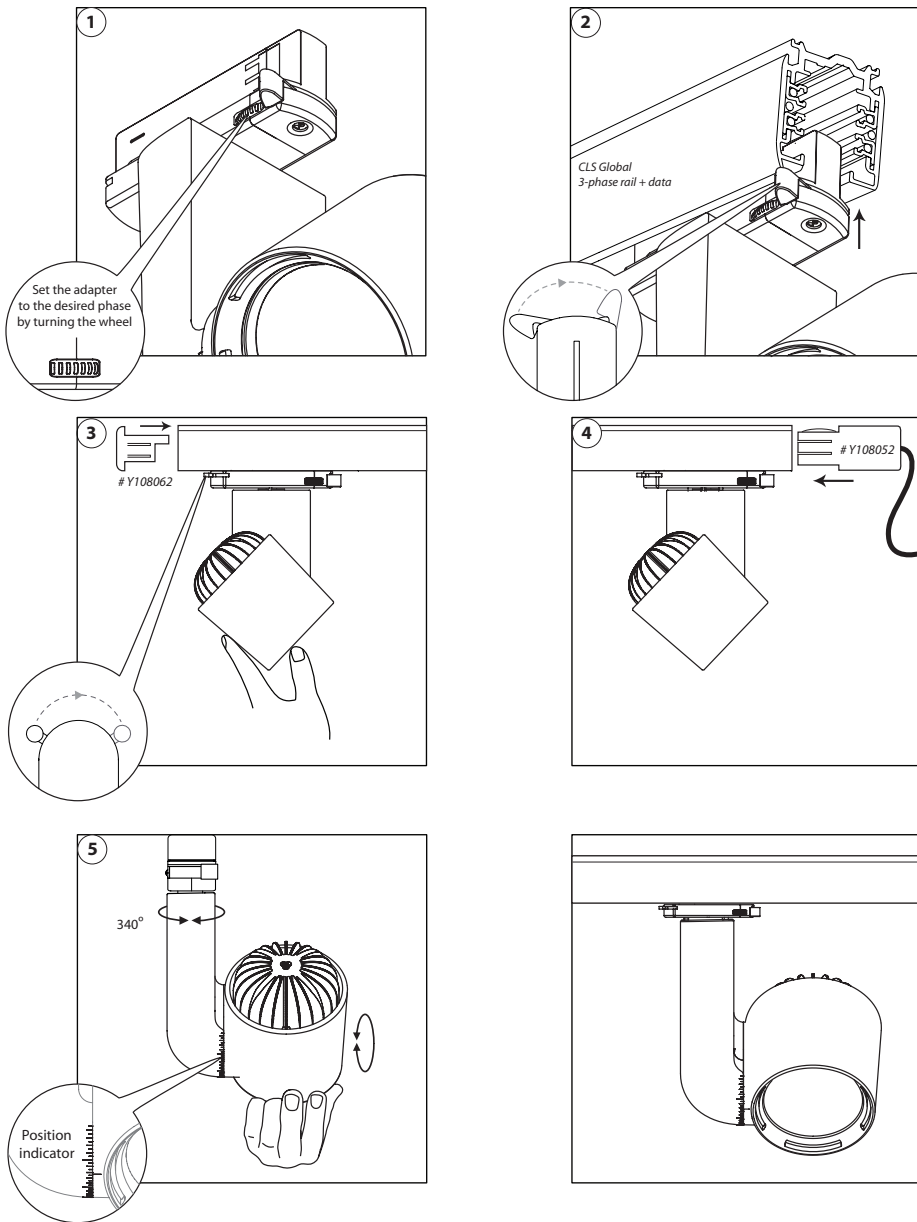
- Y110939 CLS end piece for 3-phase rail white XTS 41-3
- Y110945 CLS connection box for 3-phase rail, grey XTS 11
- Y110946 CLS connection box for 3-phase rail, grey XTS 12
- Y110950 CLS connection box for 3-phase rail black XTS 11
- Y110954 CLS L-connector grey for 3-faserail, ground left
- Y110955 CLS L-connector grey for 3-faserail, ground right
- Y110960 CLS connect piece gray (connect rail-rail) XTS
- Y110961 CLS connect piece white (connect rail-rail) XTS21
- Y110962 CLS connect piece black (connect rail-rail) XTS
- Y110965 CLS hanging bracke for 3-phase rail, grey SKB16
- Y110966 CLS hanging set, grey SKB12 with 1.5 mtr steel
- Y110970 CLS bending tool XTSV 12
- Y110980 CLS round mountingdisk GA70 grey
- Y110985 CLS round mountingdisk GA70 white
- Y110990 CLS round mountingdisk GA70 black

ACCESSORIES

- Y106200-B CLS Jade Expo Snoot, black
- Y106200-W CLS Jade Expo Snoot, white (black inside)
- Y106201-B CLS Jade Expo Half Snoot, black
- Y106201-W CLS Jade Expo Half Snoot, white (black inside)
- Y106202-B CLS Jade Expo Barndoor, black
- Y106202-W CLS Jade Expo Barndoor, white (black inside)
- Y106211 CLS Jade Expo Beam shaper 33°
- Y106212 CLS Jade Expo Beam shaper 42°
- Y106213 CLS Jade Expo Beam shaper 70°
- Y106214 CLS Jade Expo Beam shaper 55x22°
- Y106215 CLS Jade Expo Honey Comb louvre

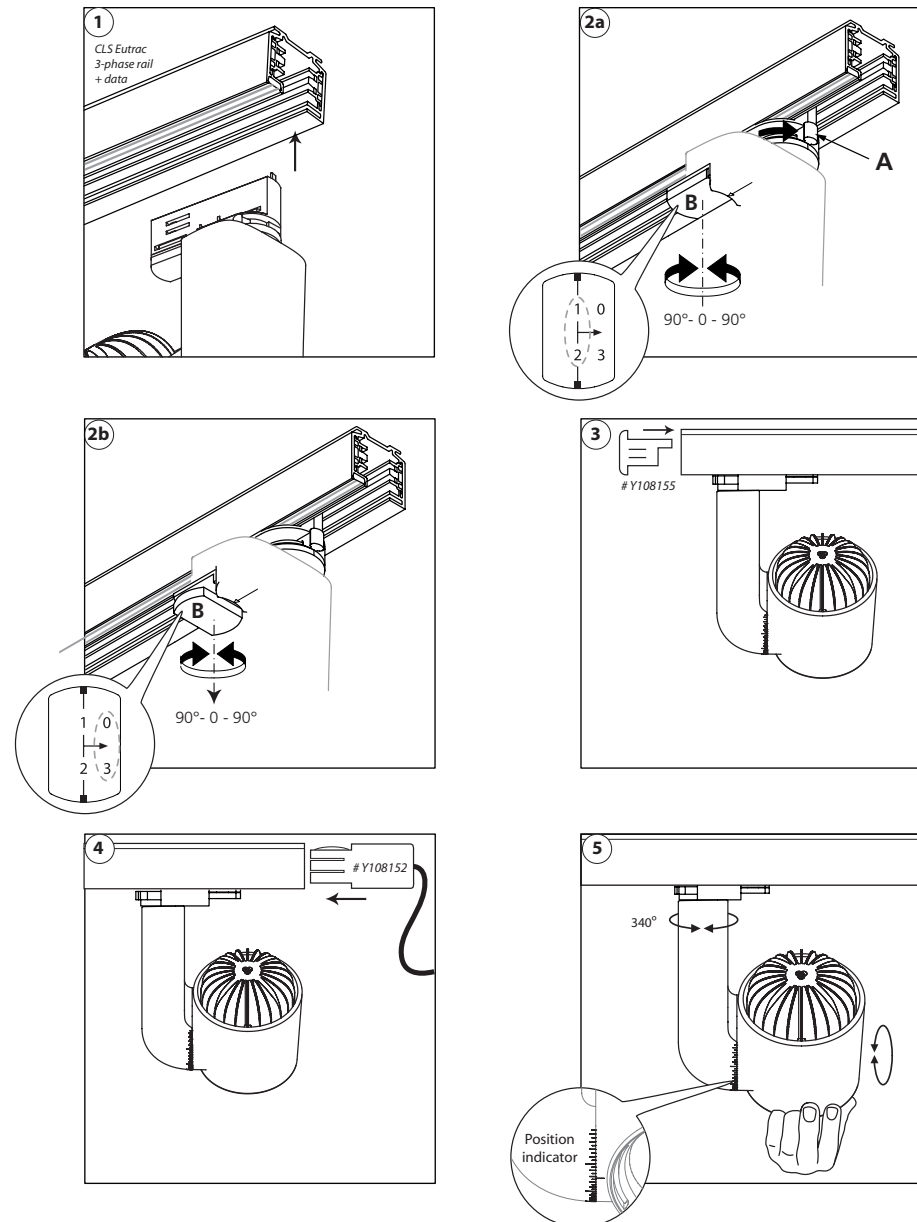
INSTALLATION DMX VERSION

WITH GLOBAL ADAPTER



INSTALLATION DMX VERSION

WITH EUTRAC ADAPTER

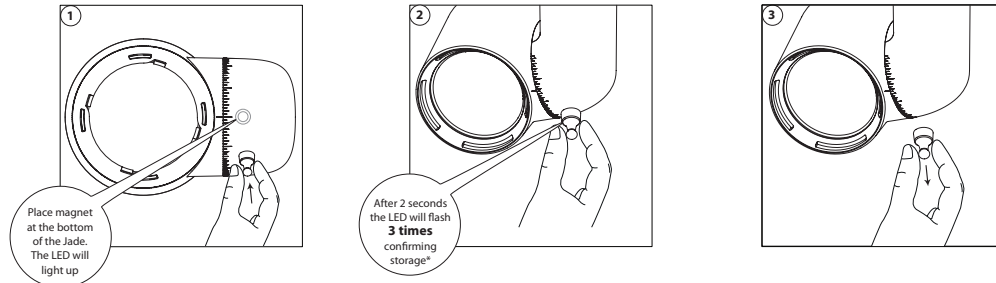


PROGRAMMING

All settings can be configured via DMX. Settings can be configured at once or separately. When one or a couple settings needs to be changed just leave all other setting values zero. This keeps those settings unchanged. Please check the table for more information.

Always use a DMX controller with digital interface. If not available, you can purchase the CLS D-ta DMX addresser unit (#122200).

First make sure to set the DATA on the DMX controller. To program the setting into the LED fixture follow the next steps.



* If the LEDs flashes 10 times, something went wrong. Please try again. If the problem continues to occur, please contact your local sales distributor.

FACTORY SETTING TABLE

FACTORY SETTING TABLE													
Row #	Fixture type	Address	Static behavior	Soft dim	Master control	Output 1 patch	Output 2 patch	Output 3 patch	Output 4 patch	Static output 1	Static output 2	Static output 3	Static output 4
1	RGBW	1	1	Off	Off	1 (R)	2 (G)	3 (B)	4 (W)	255	255	255	255
2	RGBA	1	1	Off	Off	1 (R)	2 (G)	3 (B)	4 (A)	255	255	255	255
3	AWB	1	1	Off	Off	3 (B)	2 (W)	1 (A)	2 (W)	255	255	255	255
4	1800-3000K	1	1	Off	Off	1 (18)	2 (30)	1(18)	2(30)	255	255	255	255
5	1800-4000K	1	1	Off	Off	1 (18)	2 (40)	1(18)	2(40)	255	255	255	255
6	2700-5000K	1	1	Off	Off	1 (27)	2 (50)	1(27)	2(50)	255	255	255	255
7	Single colour	1	1	Off	Off	1	1	1	1	255	255	255	255

PROGRAMMING TABLE

PROGRAMMING TABLE			
DMX	Function	Data	Description
CH1	Set address	0	0 = no change
		1...255	DMX address = 1...255
CH2	Set address	0	no change
		1...255	DMX address = 256...508
CH3	Static behavior	0	no change
		1	last DMX value
		2	output off
CH4	Soft dim	0	no change
		1	off
		2	on
CH5	Master control	0	no change
		1	no master used
		2	master is first channel
CH6	Output 1 patch	0	no change
		1	DMX channel n
		2	DMX channel n+1
CH7	Output 2 patch	0	no change
		1	DMX channel n
		2	DMX channel n+1
CH8	Output 3 patch	0	no change
		1	DMX channel n
		2	DMX channel n+1
CH9	Output 4 patch	0	no change
		1	DMX channel n
		2	DMX channel n+1
CH10	Static output 1	0	no change
		1	output off
		2...255	intensity 2...255
CH11	Static output 2	0	no change
		1	output off
		2...255	intensity 2...255
CH12	Static output 3	0	no change
		1	output off
		2...255	intensity 2...255
CH13	Static output 4	0	no change
		1	output off
		2...255	intensity 2...255
CH14	Load default settings	0 X	no change Load Factory settings. X is row number factory setting table.

ACCESSORIES

LIST OF SYMBOLS

ACCESSORIES Global

Global - black

Y108501-B	CLS Global 3-phase rail + data 1 meter black
Y108502-B	CLS Global 3-phase rail + data 2 meter black
Y108503-B	CLS Global 3-phase rail + data 3 meter black
Y108504-B	CLS Global 3-phase rail + data 4 meter black
Y108511-B	CLS Global 3-phase rail + data end feed right, black
Y108512-B	CLS Global 3-phase rail + data end feed left, black
Y108513-B	CLS Global 3-phase rail + data middle feed black
Y108515-B	CLS Global 3-phase rail + data L-coupler inner black
Y108516-B	CLS Global 3-phase rail + data L-coupler outer black
Y110938	CLS Global 3-phase rail + data end cap black

Global - grey

Y108501-G	CLS Global 3-phase rail + data 1 meter grey
Y108502-G	CLS Global 3-phase rail + data 2 meter grey
Y108503-G	CLS Global 3-phase rail + data 3 meter grey
Y108504-G	CLS Global 3-phase rail + data 4 meter grey
Y108511-G	CLS Global 3-phase rail + data end feed right, grey
Y108512-G	CLS Global 3-phase rail + data end feed left, grey
Y108513-G	CLS Global 3-phase rail + data middle feed grey
Y108515-G	CLS Global 3-phase rail + data L-coupler inner grey
Y108516-G	CLS Global 3-phase rail + data L-coupler outer grey
Y110935	CLS Global 3-phase rail + data end cap grey

ACCESSORIES

Eutrac - black

Y108112	CLS Eutrac 3-phase rail + data 1 meter black
Y108122	CLS Eutrac 3-phase rail + data 2 meter black
Y108132	CLS Eutrac 3-phase rail + data 3 meter black
Y108142	CLS Eutrac 3-phase rail + data 4 meter black
Y108152	CLS Eutrac 3-phase rail + data end feed right, black
Y108155	CLS Eutrac 3-phase rail + data end feed left, black
Y108158	CLS Eutrac 3-phase rail + data middle feed black
Y108162	CLS Eutrac 3-phase rail + data end cap black
Y108175	CLS Eutrac 3-phase rail + data L-coupler inner black
Y108178	CLS Eutrac 3-phase rail + data flex coupler black
Y108199	CLS Eutrac 3-phase + data monopoint black

Eutrac - white

Y108133	CLS Eutrac 3-phase rail + data 3 meter white
Y108153	CLS Eutrac 3-phase rail + data end feed right, white
Y108163	CLS Eutrac 3-phase rail + data end cap white
122200	CLS D-Ta DMX tester/addresser unit
Y106016	CLS Magnet pin (4 pcs)

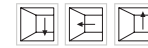
2018 CLS-LED BV. All rights reserved. Information subject to change without notice, CLS-LED BV and all affiliated companies disclaim liability for injury, damage direct or indirect loss, consequential or economic loss or any other loss occasioned by the use of, inability to use or reliance on the information contained in this manual. No part of this manual may be reproduced, in any form or by any means, without permission in writing from CLS-LED BV. Other legal information can be found in our General conditions, found on the back of your CLS-LED BV invoice, inside the CLS catalogue or on our website www.cls-led.com/General-Terms.pdf



Protection class
One, two or three



Application area
Indoor or outdoor



Application area
Floor, wall or ceiling



Swivel
Fixture is horizontally rotatable, indicated in degrees



Swivel
Fixture is vertically rotatable, indicated in degrees



Multiple connection
Daisychain connectivity



Installation depth
In centimeters



Installation size
In centimeters



Cable length
Maximum cable attached to the fixture in centimeters



Driver
Inclusive or exclusive Internal or external



Weight
In grams/kilograms



Pressure
Maximum pressure on the fixture in kg/cm²



Lifespan
Of the light source in hours



Lenses
Available lenses, indicated in degrees



Lenses
Available lenses, indicated in degrees



LEDs
Kind of LED used in the fixture



Plug & play
Easy connection using the SmartConnect system



IP value
Ingress Protection classifies the degrees of protection provided against the intrusion of the product



Colour changing
RGB, RGB-W, RGB-A, AWB or Tunable White



Retail & Food LED modules
Clothing, furniture, kitchens, jewellery, shoes, bread, meat, fish & vegetables & fruit.



Colour
Available colours: Amber, blue, red or green



White colour temperature
In different Kelvin values: Cold white, neutral white, warm white or extra warm white



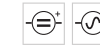
Curve
Minimal bending curve in centimeters



Cutting length
Indicated by the cutting marks



LED pitch
Pitch between the LEDs in millimeters



Power supply
In VDC, VAC or milliAmpere



Power consumption
In VA or Watt



Dimmable
1-10 Volt, Phase, individual, DMX dimmable or DALI



Bluetooth controlled
By Casambi



Magno dimming
Accurate dimming from 100 - 1% by using a magnet



Dynamic Control
Dynamic Power Control or Dynamic Temperature Control



DMX input
Fixture works on DMX512 protocol



Combined product
Compose your own fixture



Warranty
3 or 5 years warranty on the product



Conformité Européenne
CE marking for free marketability of industrial goods within the EU



Energy label



Lightsource
Equipped with a CLS, Citizen or a Xicato LED module