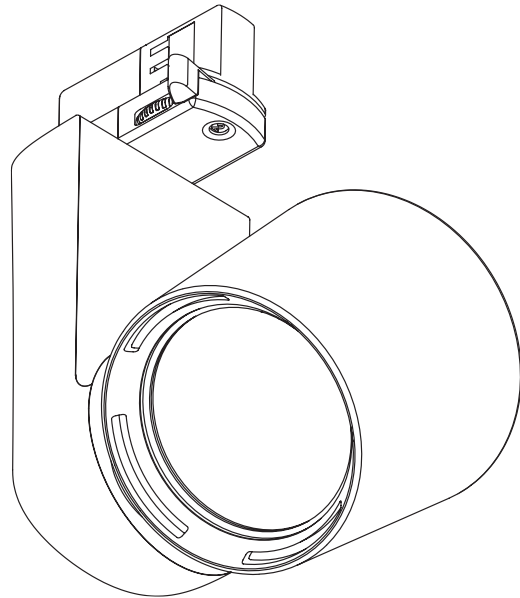


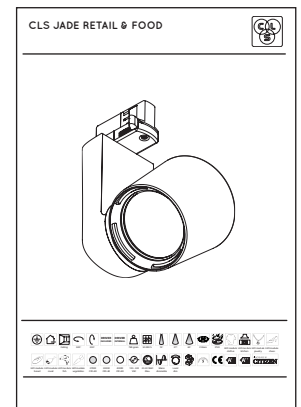
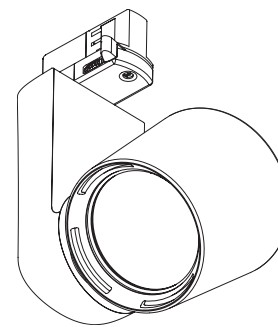
Index	2	Specifications	3
Safety information	2	Installation	4
Content	2	Accessories	5
Technical	3	List of symbols	6

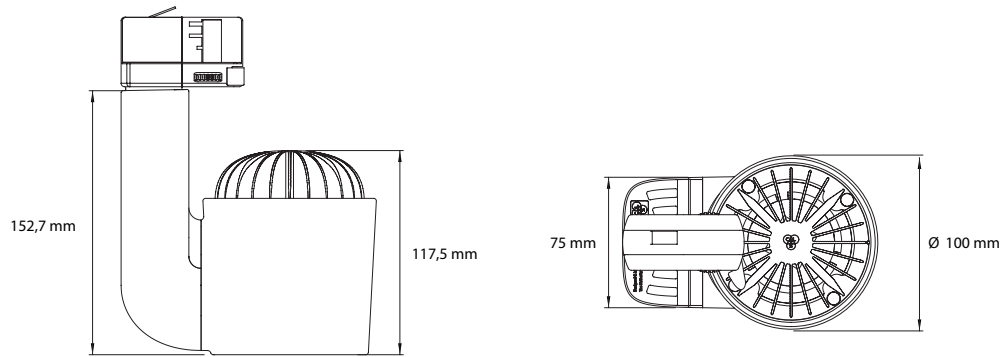


## SAFETY INFORMATION

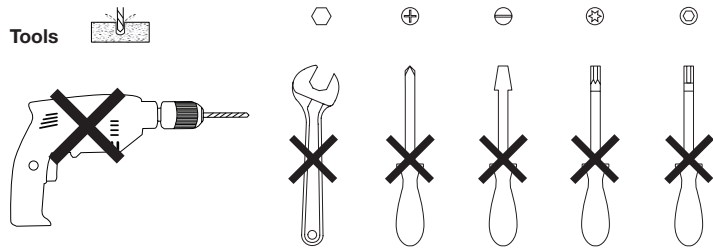
Make sure all connectors are connected properly	Use a source of AC power that complies to local electrical codes	Block access below the work area when maintaining the unit	Don't modify or install genuine parts on this product	Don't install in a flammable or explosive area	Warning! Some surfaces can be hot

## CONTENT



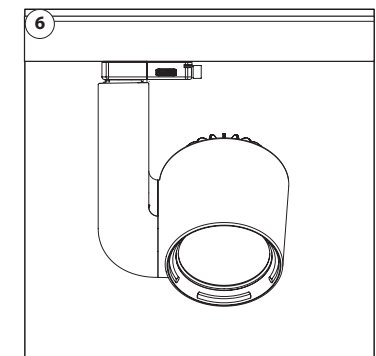
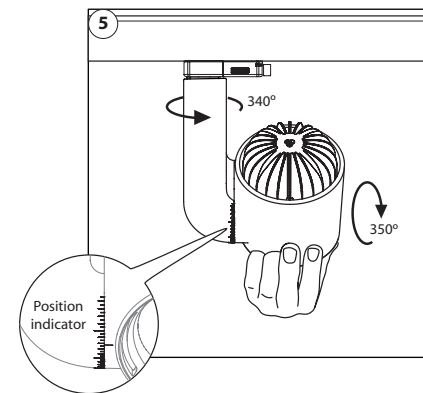
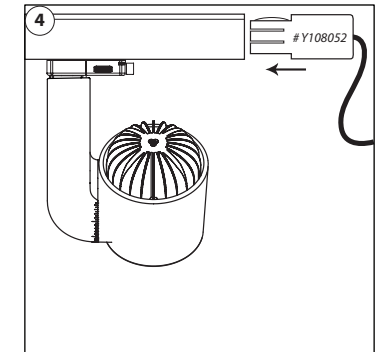
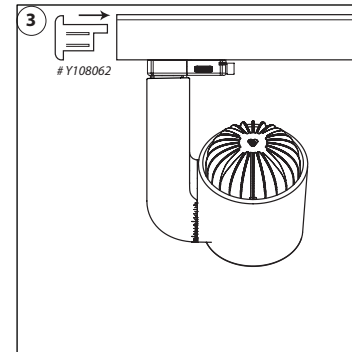
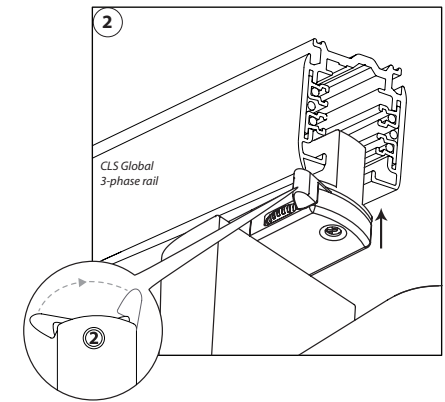
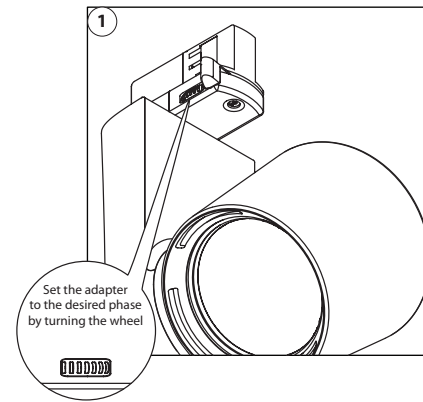



### Tools



### SPECIFICATIONS

LED:	Citizen
Available colours:	Clothes, furniture, kitchen, jewelry, shoes bread, meat, fish, vegetables & fruit CRI>80: 2700K, 3000K & 4000K
Beam angle:	19°, 37°, or 63°
Power supply:	100 - 240 VAC
Power consumption:	Max. 20 Watt (2000 lumen) Max. 30 Watt (3500 lumen)
Housing:	Black, grey or white PC (PC-ABS V0) Heatsink black, grey or white coated aluminium
Weight:	780 gram
IP value:	IP20
Measurements:	152.7 x 100 x 100 mm (hwxwd)
Ambient temperature:	-10° C till +40° C



# ACCESSORIES

## ACCESSORIES

Y110855	CLS 3-phase multi adapter grey XTSA 68
Y110865	CLS 3-phase multi adapter white XTSA 68
Y110875	CLS 3-phase multi adapter black XTSA 68
Y110880	CLS T-connector grey for 3-phaserail, ground left
Y110881	CLS T-connector black for 3-phaserail, ground left
Y110882	CLS T-connector white for 3-phaserail, ground left
Y110925	CLS 3-phase rail 1mtr aluminum XTS 4100
Y110926	CLS Global 3-phase rail 2 metre aluminum XTS 4200
Y110927	CLS Global 3-phase rail 2mtr black XTS 4200
Y110928	CLS Global 3-phase rail 3mtr aluminum XTS 4300
Y110929	CLS Global 3-phase rail 4mtr aluminum XTS 4100
Y110930	CLS Global 3-phase rail 3mtr white XTS 4300
Y110931	CLS Global 3-phase rail 3mtr black XTS 4300
Y110932	CLS Global 3-phase rail 4mtr black XTS 4400
Y110935	CLS end piece for 3-phase rail grey XTS 41
Y110938	CLS end piece for 3-phase rail black XTS 41

Y110939	CLS end piece for 3-phase rail white XTS 41-3
Y110945	CLS connection box for 3-phase rail, grey XTS 11
Y110946	CLS connection box for 3-phase rail, grey XTS 12
Y110950	CLS connection box for 3-phase rail black XTS 11
Y110954	CLS L-connector grey for 3-faserail, ground left
Y110955	CLS L-connector grey for 3-faserail, ground right
Y110960	CLS connect piece gray (connect rail-rail) XTS
Y110961	CLS connect piece white (connect rail-rail) XTS21
Y110962	CLS connect piece black (connect rail-rail) XTS
Y110965	CLS hanging bracke for 3-phase rail, grey SKB16
Y110966	CLS hanging set, grey SKB12 with 1.5 mtr steel
Y110970	CLS bending tool XTSV 12
Y110980	CLS round mountingdisk GA70 grey
Y110985	CLS round mountingdisk GA70 white
Y110990	CLS round mountingdisk GA70 black

2018 CLS-LED BV. All rights reserved. Information subject to change without notice. CLS-LED BV and all affiliated companies disclaim liability for injury, damage direct or indirect loss, consequential or economic loss or any other loss occasioned by the use of, inability to use or reliance on the information contained in this manual. No part of this manual may be reproduced, in any form or by any means, without permission in writing from CLS-LED BV. Other legal information can be found in our General conditions, found on the back of your CLS-LED BV invoice, inside the CLS catalogue or on our website [www.cls-led.com/General-Terms.pdf](http://www.cls-led.com/General-Terms.pdf)

# LIST OF SYMBOLS

	<b>Protection class</b> One, two or three		<b>Retail &amp; Food LED modules</b> Clothing, furniture, kitchens, jewellery, shoes, bread, meat, fish & vegetables & fruit.
	<b>Application area</b> Indoor or outdoor		<b>Colour</b> Available colours: Amber, blue, red or green
	<b>Application area</b> Floor, wall or ceiling		<b>White colour temperature</b> In different Kelvin values: Cold white, neutral white, warm white or extra warm white
	<b>Swivel</b> Fixture is horizontally rotatable, indicated in degrees		<b>Curve</b> Minimal bending curve in centimeters
	<b>Swivel</b> Fixture is vertically rotatable, indicated in degrees		<b>Cutting length</b> Indicated by the cutting marks
	<b>Multiple connection</b> Daisychain connectivity		<b>LED pitch</b> Pitch between the LEDs in millimeters
	<b>Installation depth</b> In centimeters		<b>Power supply</b> In VDC, VAC or milliAmpere
	<b>Installation size</b> In centimeters		<b>Power consumption</b> In VA or Watt
	<b>Cable length</b> Maximum cable attached to the fixture in centimeters		<b>Dimmable</b> 1-10 Volt, Phase, individual, DMX dimmable or DALI
	<b>Driver</b> Inclusive or exclusive internal or external		<b>Bluetooth controlled</b> By Casambi
	<b>Weight</b> In grams/kilograms		<b>Magno dimming</b> Accurate dimming from 100 - 1% by using a magnet
	<b>Pressure</b> Maximum pressure on the fixture in kg/cm <sup>2</sup>		<b>Dynamic Control</b> Dynamic Power Control or Dynamic Temperature Control
	<b>Lifespan</b> Of the light source in hours		<b>DMX input</b> Fixture works on DMX512 protocol
	<b>Lenses</b> Available lenses, indicated in degrees		<b>Combined product</b> Compose your own fixture
	<b>LEDs</b> Kind of LED used in the fixture		<b>Warranty</b> 3 or 5 years warranty on the product
	<b>Plug &amp; play</b> Easy connection using the SmartConnect system		<b>Conformité Européenne</b> CE marking for free marketability of industrial goods within the EU
	<b>IP value</b> Ingress Protection classifies the degrees of protection provided against the intrusion of the product		<b>Energy label</b>
	<b>Colour changing</b> RGB, RGB-W, RGB-A, AWB or Tunable White		<b>Lightsource</b> Equipped with a CLS, Citizen or a Xicato LED module