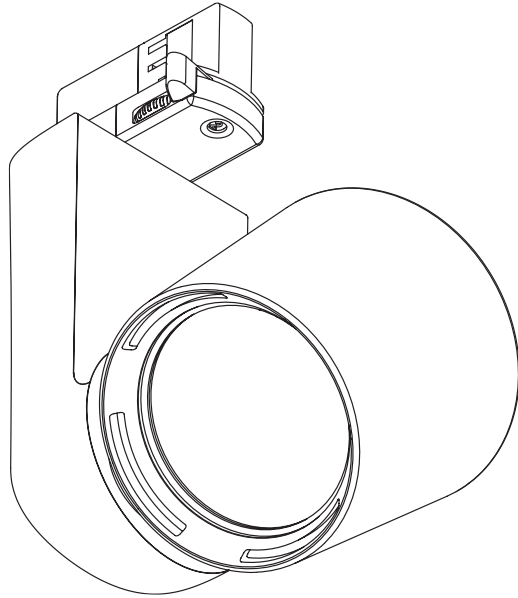


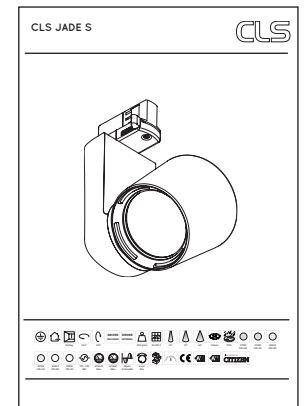
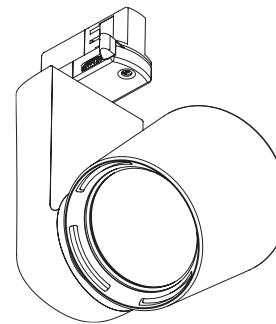
Index	2	Specifications	3
Safety information	2	Installation	4
Content	2	Accessories	5
Technical	3	List of symbols	6



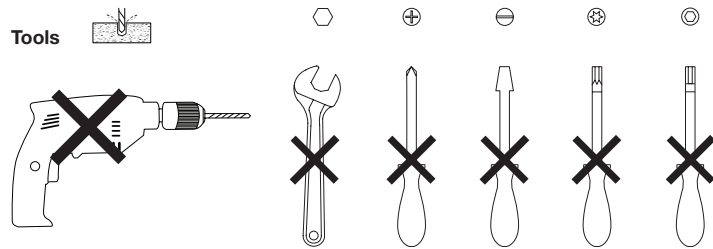
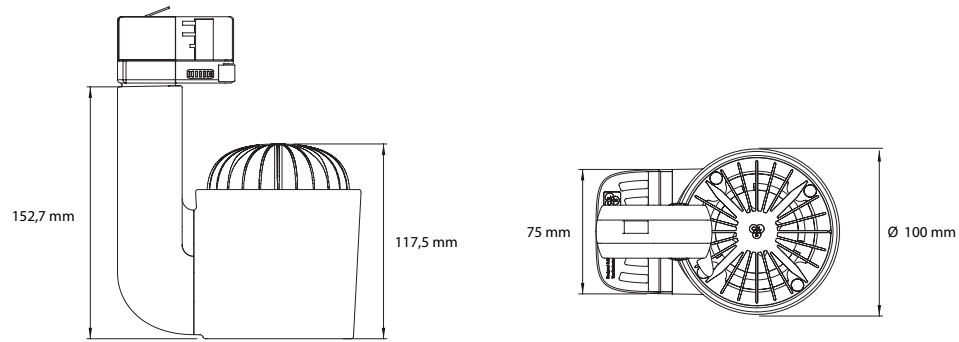
SAFETY INFORMATION

Make sure all connectors are connected properly	Use a source of AC power that complies to local electrical codes	Block access below the work area when maintaining the unit	Don't modify or install genuine parts on this product	Don't install in a flammable or explosive area	Warning! Some surfaces can be hot

CONTENT

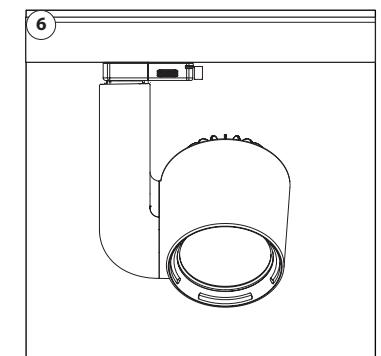
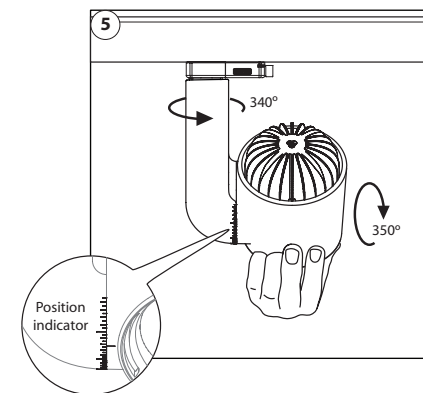
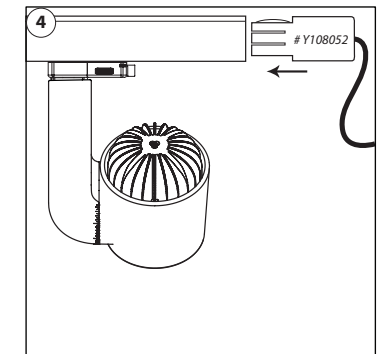
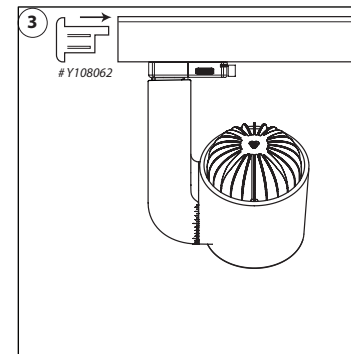
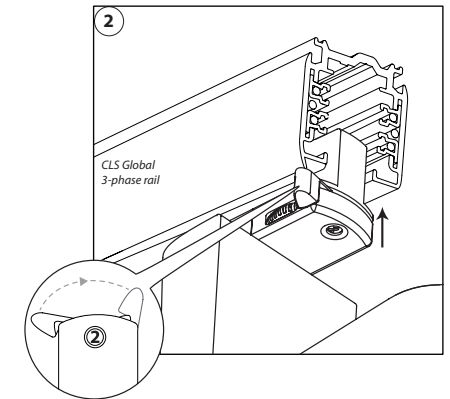
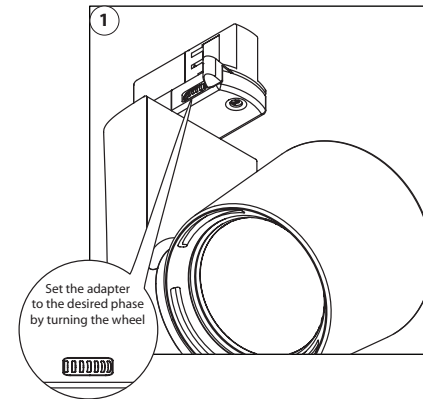


3000K CRI>90	4000K CRI>80	4000K CRI>90	100-240 VAC	20 Watt Max.	30 Watt Max.	Mains dimmable	Local dim	5 YEAR WARRANTY	CE	A+	A++	LIGHTSOURCE BY CITIZEN			



SPECIFICATIONS

LED:	Citizen
Available colours:	CRI 80: 2700K, 3000K & 4000K CRI 90: 2700K, 3000K & 4000K
Beam angle:	19°, 37° or 63°
Power supply:	100 ~ 240 VAC
Power consumption:	Max. 20 Watt (2000 lumen) Max. 30 Watt (3500 lumen)
Housing:	Black, grey or white PC (PC-ABS V0) Heatsink black, grey or white coated aluminium
Weight:	780 gram
IP value:	IP20
Measurements:	152,7 x 100 x 100 mm (h x w x d)
Ambient temperature:	-10° C till +40° C



ACCESSORIES

ACCESSORIES

Y110855	CLS 3-phase multi adapter grey XTSA 68
Y110865	CLS 3-phase multi adapter white XTSA 68
Y110875	CLS 3-phase multi adapter black XTSA 68
Y110880	CLS T-connector grey for 3-phaserail, ground left
Y110881	CLS T-connector black for 3-phaserail, ground left
Y110882	CLS T-connector white for 3-phaserail, ground left
Y110925	CLS 3-phase rail 1mtr aluminum XTS 4100
Y110926	CLS Global 3-phase rail 2 metre aluminum XTS 4200
Y110927	CLS Global 3-phase rail 2mtr black XTS 4200
Y110928	CLS Global 3-phase rail 3mtr aluminum XTS 4300
Y110929	CLS Global 3-phase rail 4mtr aluminum XTS 4100
Y110930	CLS Global 3-phase rail 3mtr white XTS 4300
Y110931	CLS Global 3-phase rail 3mtr black XTS 4300
Y110932	CLS Global 3-phase rail 4mtr black XTS 4400
Y110935	CLS end piece for 3-phase rail grey XTS 41
Y110938	CLS end piece for 3-phase rail black XTS 41

Y110939	CLS end piece for 3-phase rail white XTS 41-3
Y110945	CLS connection box for 3-phase rail, grey XTS 11
Y110946	CLS connection box for 3-phase rail, grey XTS 12
Y110950	CLS connection box for 3-phase rail black XTS 11
Y110954	CLS L-connector grey for 3-faserail, ground left
Y110955	CLS L-connector grey for 3-faserail, ground right
Y110960	CLS connect piece gray (connect rail-rail) XTS
Y110961	CLS connect piece white (connect rail-rail) XTS21
Y110962	CLS connect piece black (connect rail-rail) XTS
Y110965	CLS hanging bracke for 3-phase rail, grey SKB16
Y110966	CLS hanging set, grey SKB12 with 1.5 mtr steel
Y110970	CLS bending tool XTSV 12
Y110980	CLS round mountingdisk GA70 grey
Y110985	CLS round mountingdisk GA70 white
Y110990	CLS round mountingdisk GA70 black

2018 CLS-LED BV. All rights reserved. Information subject to change without notice, CLS-LED BV and all affiliated companies disclaim liability for injury, damage direct or indirect loss, consequential or economic loss or any other loss occasioned by the use of, inability to use or reliance on the information contained in this manual. No part of this manual may be reproduced, in any form or by any means, without permission in writing from CLS-LED BV. Other legal information can be found in our General conditions, found on the back of your CLS-LED BV invoice, inside the CLS catalogue or on our website www.cls-led.com/General-Terms.pdf

LIST OF SYMBOLS

	Protection class One, two or three		Retail & Food LED modules Clothing, furniture, kitchens, jewellery, shoes, bread, meat, fish & vegetables & fruit.
	Application area Indoor or outdoor		
	Application area Floor, wall or ceiling		Colour Available colours: Amber, blue, red or green
	Swivel Fixture is horizontally rotatable, indicated in degrees		White colour temperature In different Kelvin values: Cold white, neutral white, warm white or extra warm white
	Swivel Fixture is vertically rotatable, indicated in degrees		Curve Minimal bending curve in centimeters
	Multiple connection Daisychain connectivity		Cutting length Indicated by the cutting marks
	Installation depth In centimeters		LED pitch Pitch between the LEDs in millimeters
	Installation size In centimeters		Power supply In VDC, VAC or milliAmpere
	Cable length Maximum cable attached to the fixture in centimeters		Power consumption In VA or Watt
	Driver Inclusive or exclusive Internal or external		Dimmable 1-10 Volt, Phase, individual, DMX dimmable or DALI
	Weight In grams/kilograms		Bluetooth controlled By Casambi
	Pressure Maximum pressure on the fixture in kg/cm ²		Magna dimming Accurate dimming from 100 - 1% by using a magnet
	Lifespan Of the light source in hours		Dynamic Control Dynamic Power Control or Dynamic Temperature Control
	Lenses Availble lenses, indicated in degrees		DMX input Fixture works on DMX512 protocol
	LEDs Kind of LED used in the fixture		Combined product Compose your own fixture
	Plug & play Easy connection using the SmartConnect system		Warranty 3 or 5 years warranty on the product
	IP value Ingress Protection classifies the degrees of protection provided against the intrusion of the product		Conformité Européenne CE marking for free marketability of industrial goods within the EU
	Colour changing RGB, RGB-W, RGB-A, AWB or Tunable White		Energy label
			Lightsource Equipped with a CLS, Citizen or a Xicato LED module