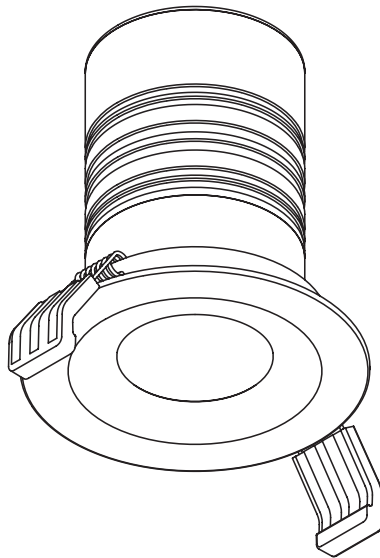


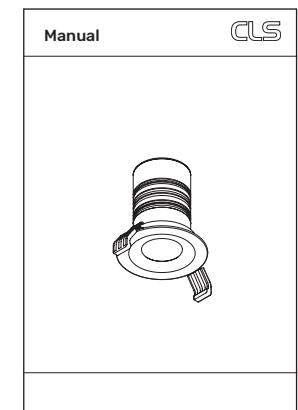
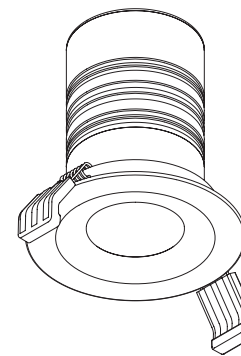
Index	2	Programming	5
Safety information	2	Factory settings table	5
Content	2	Programming table	6
Technical	3	Wiring diagram	7
Specifications	3	Accessories	7
Installation	4	List of symbols	8



SAFETY INFORMATION

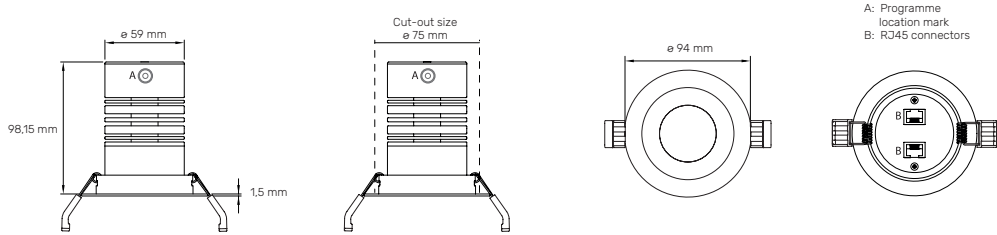
Do not use tools on the unit.	Do not use near open flames.	Do not stare into the LED.	Ambiance Max. 40°.	Qualified technician.	Disconnect the power supply before installing or maintaining.
Make sure all connectors are connected properly.	Use a source of AC power that complies with local electrical codes.	Block access below the work area when maintaining the unit.	Don't modify or install genuine parts on this product.	Don't install in a flammable or explosive area.	Warning! Some surfaces can be hot.

CONTENT

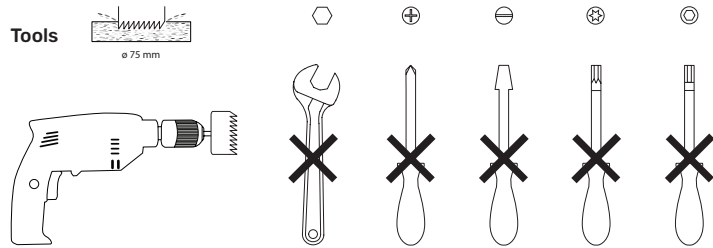


Ceiling	200 mm	75 mm	360°	DRIVER EXCLUDED	DRIVER INTERNAL	396 gr	50.000 h	10°	24°	31°	13 x 40°	4 x Luxeon Z	IP20	RGBW	RGBA
2700K-5000K	Amber-4000K	24 VDC	Max. 10 Watt	DMX 512	3 YEAR WARRANTY	CE									

TECHNICAL



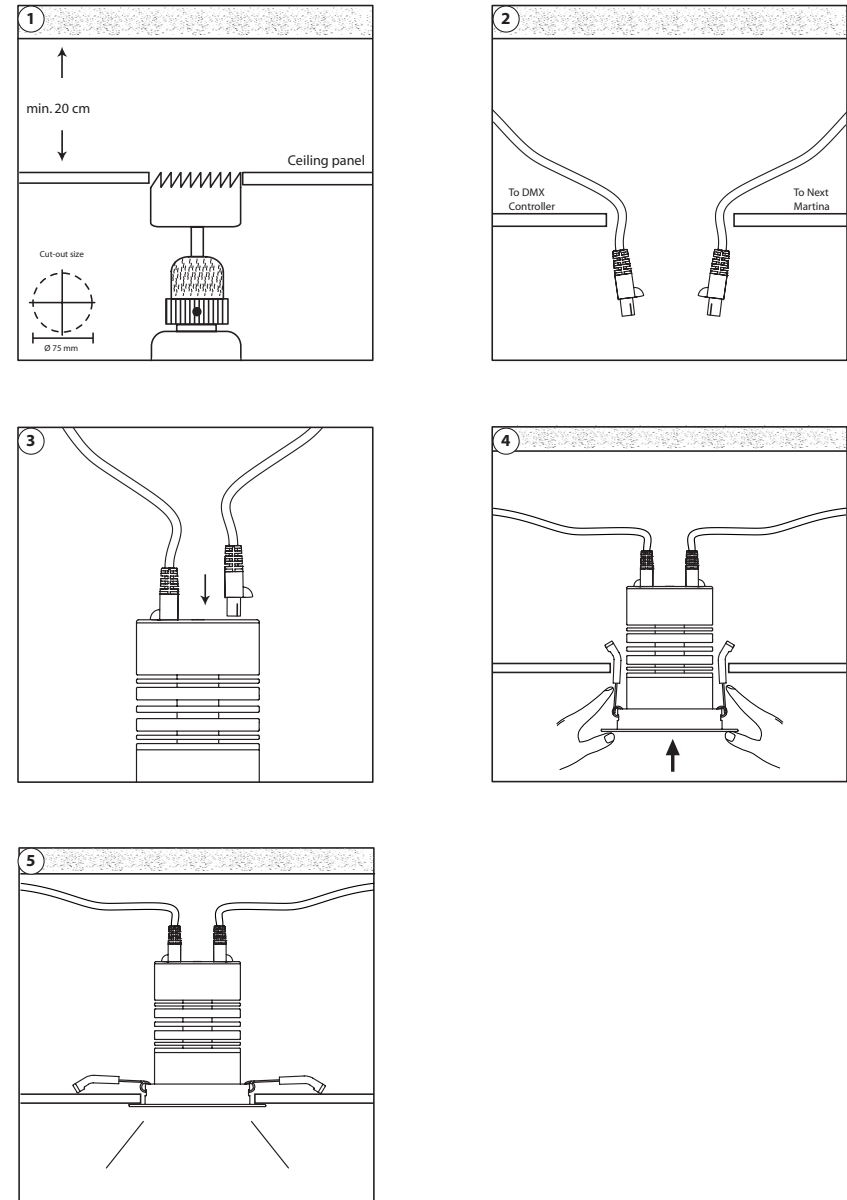
Tools



SPECIFICATIONS

LEDs:	4 x Luxeon Z
Colour changing:	RGBW or RGBA
Tunable White:	2700K-5000K or Amber-4000K
Lenses:	10°, 24°, 31° & 13 x 40°
Input voltage:	24 VDC
Power consumption:	Max. 10 Watt
Housing:	Massive CNC aluminum
IP value:	IP20
Measurements:	ø 94 x 98,15 mm (exh)
Weight:	396 gr
Input connector:	RJ45
Output connector:	RJ45
Control signal:	DMX512
Operating ambient temperature:	-10 °C till +40 °C

INSTALLATION

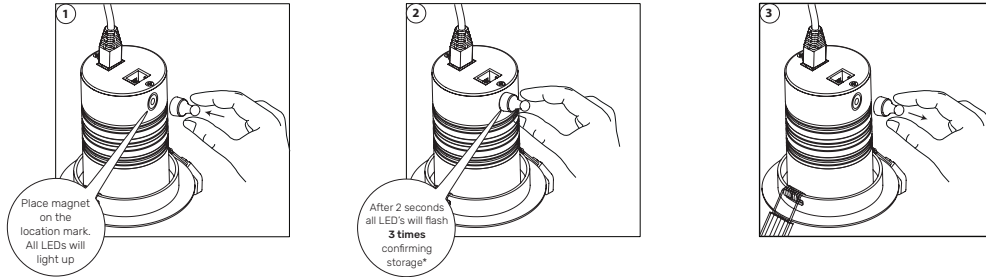


PROGRAMMING

All settings can be configured via DMX. Settings can be configured at once or separately. When one or a couple settings needs to be changed just leave all other setting values zero. This keeps those settings unchanged. Please check the table for more information.

Always use a DMX controller with digital interface. If not available, you can purchase the CLS D-ta DMX addresser unit (#122200).

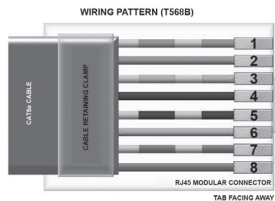
First make sure to set the DATA on the DMX controller. To program the setting into the LED fixture follow the next steps.



* If all LEDs flash 10 times, something went wrong. Please try again. If the problem continues to occur, please contact your local CLS sales distributor.

FACTORY SETTING TABLE

FACTORY SETTING TABLE													
Row #	Fixture type	Address	Static behavior	Soft dim	Master control	Output 1 patch	Output 2 patch	Output 3 patch	Output 4 patch	Static output 1	Static output 2	Static output 3	Static output 4
1	RGBW	1	1	Off	Off	1 (R)	2 (G)	3 (B)	4 (W)	255	255	255	255
2	RGBA	1	1	Off	Off	1 (R)	2 (G)	3 (B)	4 (A)	255	255	255	255
3	AWB	1	1	Off	Off	3 (B)	2 (W)	1 (A)	2 (W)	255	255	255	255
4	1800-3000K	1	1	Off	Off	1 (18)	2 (30)	1(18)	2(30)	255	255	255	255
5	1800-4000K	1	1	Off	Off	1 (18)	2 (40)	1(18)	2(40)	255	255	255	255
6	2700-5000K	1	1	Off	Off	1 (27)	2 (50)	1(27)	2(50)	255	255	255	255
7	Single colour	1	1	Off	Off	1	1	1	1	255	255	255	255

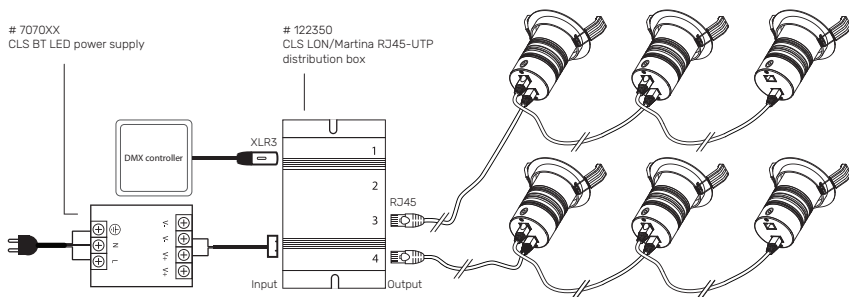


PIN	COLOUR	FUNCTION
1	Orange/white	- (PWR)
2	Orange	+ (PWR) Check manual for voltage
3	Green/White	- (PWR)
4	Blue	Data - (DMX)
5	Blue/White	Data + (DMX)
6	Green	- (PWR)
7	Brown/White	+ (PWR Check manual for voltage)
8	Brown	- (PWR)

PROGRAMMING TABLE

PROGRAMMING TABLE				
DMX	Function	Data	Parameters	Description
CH1	Set address 001 to 255	0	0 = no change	Use this DMX channel to set address from 001 to 255. The configured DMX address is called "n"
		1...255	DMX address = 1...255	
CH2	Set address 256 to 508	0	no change	Use this DMX channel to set address from 256 to 508. The configured DMX address is called "n"
		1...255	DMX address = 256...508	
CH3	Static behavior	0	no change	If no DMX is present the fixture will respond like set in this function.
		1	last DMX value	
		2	output off	
CH4	Soft dim	0	no change	Soft dim will interpolate between the DMX values. This function makes the dim curve smoother
		1	off	
		2	on	
CH5	Master control	0	no change	If master is first channel is selected the channel will be DMX channel "n". If master is last channel is selected the channel will be "n+x" ("x" is calculated in the output patch).
		1	no master used	
		2	master is first channel	
CH6	Output 1 patch	0	no change	Each output channel can be patched to respond to the desired DMX channel. This enables the user to mix up the colours according to the controller that is used.
		1	DMX channel n	
		2	DMX channel n+1	
		3	DMX channel n+2	
CH7	Output 2 patch	0	no change	Example: all outputs are patched as 1 All outputs will be controlled by DMX channel "n". If master is used total DMX channels will be 2 otherwise it uses 1 channel ("x" = 1).
		1	DMX channel n	
		2	DMX channel n+1	
		3	DMX channel n+2	
CH8	Output 3 patch	0	no change	Example: output 1&2 are patched as 1 and 3&4 are patched as 2 Output 1&2 will be controlled by DMX channel "n". Output 3&4 will be controlled by DMX channel "n+1". If master is used total DMX channels will be 3 otherwise it uses 2 channels ("x" = 2).
		1	DMX channel n	
		2	DMX channel n+1	
		3	DMX channel n+2	
CH9	Output 4 patch	0	no change	If master is used total DMX channels will be 3 otherwise it uses 2 channels ("x" = 2).
		1	DMX channel n	
		2	DMX channel n+1	
		3	DMX channel n+2	
CH10	Static output 1	0	no change	Each output channel can be set to an static intensity.
		1	output off	
CH11	Static output 2	2...255	intensity 2...255	If no DMX is present and Static behavior is set to "load static values". The outputs will be set to the configured intensity values.
		0	no change	
CH12	Static output 3	1	output off	
		2...255	intensity 2...255	
CH13	Static output 4	0	no change	
		1	output off	
CH14	Load default settings	0	no change	This function resets all settings to the Factory setting. Check Factory setting table.
		X	Load Factory settings. X is row number factory setting table.	

WIRING DIAGRAM



LED Power supply:
 CLS BT20.24 - 24VDC 20VA max 2 Martina's
 CLS BT45.24 - 24VDC 45VA max 4 Martina's
 CLS BT75.24 - 24VDC 75VA max 7 Martina's
 CLS BT120.24 - 24VDC 120VA max 12 Martina's
 CLS BT240.24 - 24VDC 240VA max 24 Martina's

Attention:
Max. 15m cable between the output connector of the distribution box and the last Martina.

Max. 5 Martina's per output channel!

ACCESSORIES

Accessories

Y106301-N	CLS Martina 10° lens
Y106301-M	CLS Martina 24° lens
Y106301-W	CLS Martina 31° lens
Y106301-E	CLS Martina 13 x 40° lens
122350	CLS LON / Martina way RJ45-UTP distribution box for max. 24 pieces
706667	CLS CAT5 network cable with 2 x RJ45 connectors grey 2 mtr
706668	CLS CAT5 network cable with 2 x RJ45 connectors grey 5 mtr
706669	CLS CAT5 network cable with 2 x RJ45 connectors grey 10 mtr
706672	CLS CAT5 network cable with 2 x RJ45 connectors grey 20 mtr
706995	CLS BT20.24 LED power supply 24VDC 20VA 85-264VAC, max 2 Martina
707011	CLS BT45.24 LED power supply 24VDC 45VA 85-264VAC, max 4 Martina's
707012	CLS BT75.24 LED power supply 24VDC 75VA 85-264VAC, max 6 Martina's
707013	CLS BT120.24 LED power supply 24VDC 120VA 85-264VAC, max 12 Martina's
707014	CLS BT240.24 LED power supply 24VDC 240VA 85-264VAC, max 24 Martina's
707028	CLS Zense DMX controller + built in 4 amp RGB dimmer
122200	CLS D-Ta DMX tester/addresser unit

2018 CLS-LED BV. All rights reserved. Information subject to change without notice, CLS-LED BV and all affiliated companies disclaim liability for injury, damage direct or indirect loss, consequential or economic loss or any other loss occasioned by the use of, inability to use or reliance on the information contained in this manual. No part of this manual may be reproduced, in any form or by any means, without permission in writing from CLS-LED BV. Other legal information can be found in our General conditions, found on the back of your CLS-LED BV invoice, inside the CLS catalogue or on our website www.cls-led.com/General-Terms.pdf

LIST OF SYMBOLS

	Protection class One, two or three		Retail & Food LED modules Clothing, furniture, kitchens, jewellery, shoes, bread, meat, fish & vegetables & fruit.
	Application area Indoor or outdoor		Colour Available colours: Amber, blue, red or green
	Application area Floor, wall or ceiling		White colour temperature In different Kelvin values: Cold white, neutral white, warm white or extra warm white
	Swivel Fixture is horizontally rotatable, indicated in degrees		Curve Minimal bending curve in centimeters
	Multiple connection Daisychain connectivity		Cutting length Indicated by the cutting marks
	Installation depth In centimeters		LED pitch Pitch between the LEDs in millimeters
	Installation size In centimeters		Power supply in VDC, VAC or milliAmpere
	Cable length Maximum cable attached to the fixture in centimeters		Power consumption in VA or Watt
	Driver Inclusive or exclusive Internal or external		Dimmable 1-10 Volt, Phase, individual, DMX dimmable or DALI
	Weight In grams/kilograms		Bluetooth controlled By Casambi
	Pressure Maximum pressure on the fixture in kg/cm²		Magno dimming Accurate dimming from 100 - 1% by using a magnet
	Lifespan Of the light source in hours		Dynamic Control Dynamic Power Control or Dynamic Temperature Control
	Lenses Available lenses, indicated in degrees		DMX input Fixture works on DMX512 protocol
	LEDs Kind of LED used in the fixture		Combined product Compose your own fixture
	Plug & play Easy connection using the SmartConnect system		Warranty 3 or 5 years warranty on the product
	IP value Ingress Protection classifies the degrees of protection provided against the intrusion of the product		Conformité Européenne CE marking for free marketability of industrial goods within the EU
	Colour changing RGB, RGB-W, RGB-A, AWB or Tunable White		Energy label
			Lightsource Equipped with a CLS, Citizen or a Xicato LED module