



## netLynx quad

### Category

- Art-Net & sACN

### Description

- Four universe Art-Net / sACN to DMX512 & RDM converter

### Mechanical

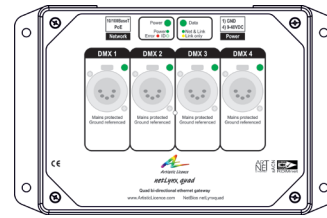
- Mounting: Flange or Desk
- Material: Flame retardant black ABS (UL94V-0)
- Overall Dimensions: 156mm (W) x 118mm (H) x 58mm (D)
- Mounting centres: 171.5mm x 89mm (4 no. M4)
- Mass: 0.2 kg
- Country of manufacture: UK

### Environmental

- Operating temperature: 0°C to 40°C
- Storage temperature: -10°C to +50°C
- Operating relative humidity (max): 80% non-condensing
- IP rating: IP20 indoor use only
- Certification: CE, WEEE, RoHS
- Warranty: 2-year (return to base)

### Power & Electrical

- Input voltage: 9-48 VDC or PoE
- Input connector: XLR4 (1 no.)
- Input power (max): 2W
- DC fuse: Internal resettable fuse for control electronics
- Duty cycle: 100% @ 25°C



### Configuration / Indication

- Internal web browser, DMX-Workshop
- Factory reset button / Squawk
- DHCP or static IP or LLRP negotiation
- LED Indication: Power / Network Activity / DMX

### Control

- Input protocols: Art-Net 4, sACN
  - 10/100BaseT, auto-negotiation supported
  - PoE (IEEE 802.3af - 2003) supported
- Output Protocols: DMX512-A (E1.11 - 2008), RDM (E1.20 - 2010 ESTA Standard)

### Data connection & protection

- Ethernet connector: RJ45 (1 no.) isolated to 1 kV
- DMX Connector: XLR5 (4 no.)
- DMX mode: ground referenced
- DMX isolation: n/a
- DMX ESD protection: 15 kV
- Electrocutation protection: 425 VAC continuous connection (self-healing)

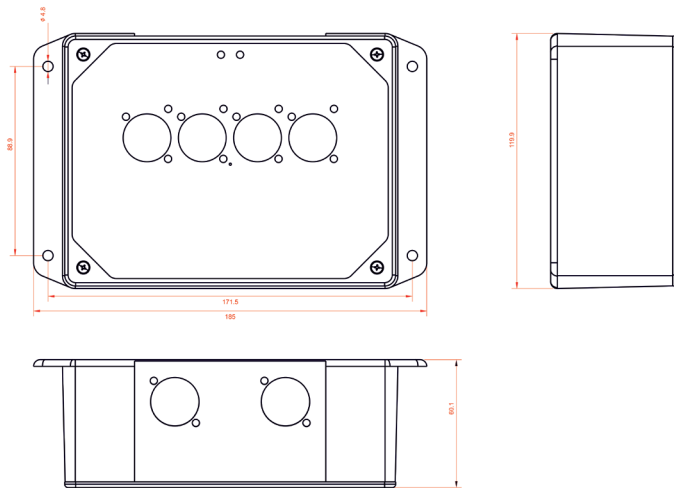
### Ordering information

- Product code: netLynx quad
- Package contents: netLynx quad
- Accessories
  - PSU-9-1.5-XLR4
  - Art-Switch PoE4 & PSU-48-1-DR (powers up to 4 netLynx quad products)

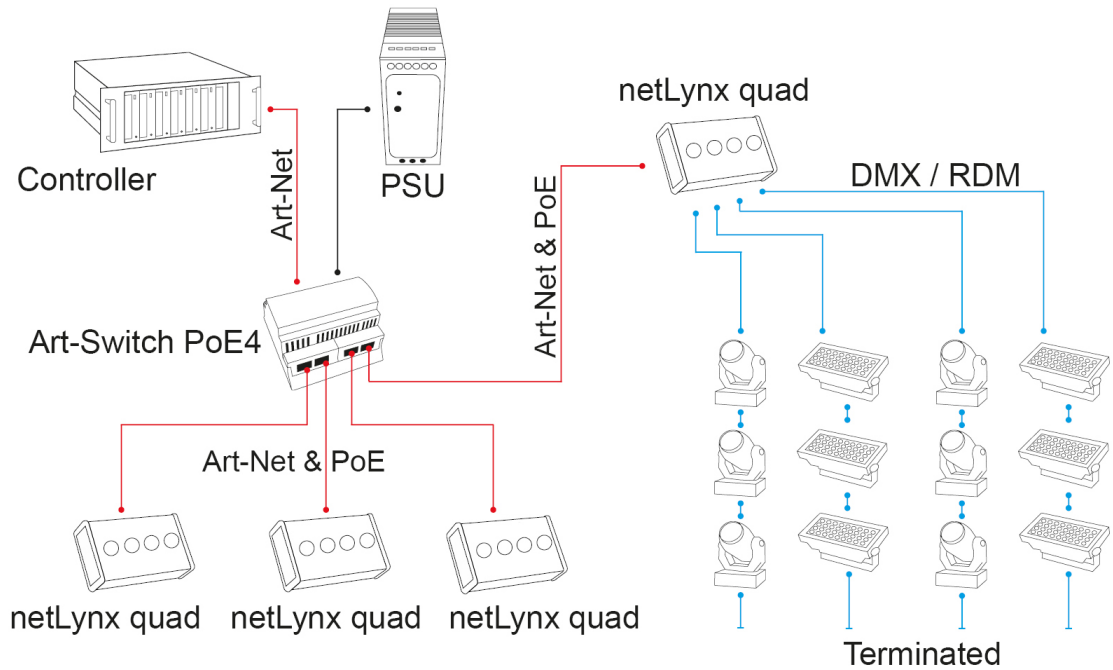
## Artistic Licence



## Mounting diagram



## Application diagram



In this example, four netLynx quad products are powered using PoE supplied by an Art-Switch POE4. Each netLynx quad can convert up to 4 Universes of data.



The Mould Making Workshop  
Soby Mews  
Bovey Tracey  
TQ13 9JG  
United Kingdom

Telephone: +44 (0) 20 8863 4515  
Email: sales@ArtisticLicence.com  
Service: support@ArtisticLicence.com  
Web: www.ArtisticLicence.com

Due to our policy of continuing product improvement specifications are subject to change without notice.

All products are covered from date of purchase by a 2-year return to base warranty.

# Artistic Licence

netLynx quad