



# DIVE 1 FC

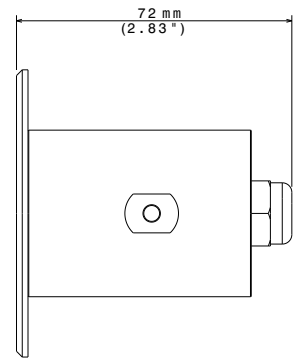
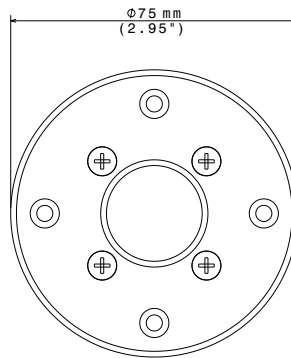
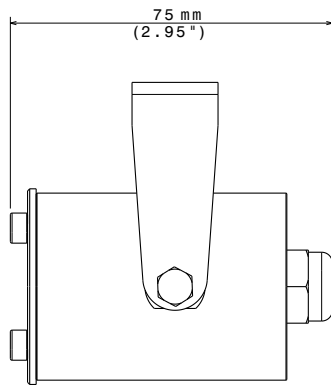
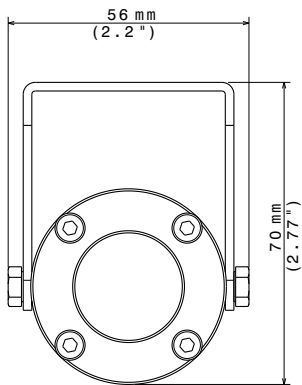
**EXTRA-BRIGHT: PERFECT FOR SMALL UNDERWATER APPLICATIONS**

DIVE 1 FC is an IP68 underwater projector with 1 Full Color LED. The unit is fitted with an **adjustable bracket** or a **round flange** for recessed installation and it features a reinforced structure that makes it reliable for long-term use. The unit is available with **different optics** and it is **suitable for small underwater applications or for use outside water**. The unit has been developed to work where safety regulations request **24 V DC max voltage, such as swimming pools or public areas**. The unit is powered by DRIVENET 1664 or DRIVENET 832 24 V DC power supplies. Refer to local norms in case of underwater installation.

DIVE 1 FC



DIVE 1 R FC



MF LENS 22°  
Bracket 03.LPB006E99FC25  
Recessed 03.LPS006E99FC25

WF LENS 28°  
Bracket 03.LPB006E99FC40  
Recessed 03.LPS006E99FC40

### OUTPUT

- 1 Full Color (RGBW) LED
- Lumens: 420 @ 700mA
- LED lifespan: 50,000 hours (70% lumen output)

### OPTICAL GROUP

2 lenses sets available: 22° / 28°

### COLOR GENERATION

- 16 million colors

- Wide palette of pure uniform whites with variable linear color temperature (2700K - 8000K)

### POWER SUPPLY

- External PSU:
  - DRIVENET 28C DIN @24Vdc
  - DRIVENET 832 24Vdc (Full range 100-240Vac 50-60Hz)
  - DRIVENET 1664 24Vdc (Full range 100-240Vac 50-60Hz)
- Power consumption: 10 W max

### CONNECTIONS

End-stripped 8-pole cable (5 m)

### OPERATING TEMPERATURE

-20° / 40° C

### PHYSICAL

- IP68 (max immersion depth: 2 m)
- IK protection degree: IK09 (only R version)
- Housing: Bronze / 316 Stainless steel

- Weight:

– DIVE 1 FC: 0.8 Kg (1.76 lbs)  
 – DIVE 1 R FC: 1 Kg (2.2 lbs)

### SHIPPING

- Packaging: Carton box
- Box size (LxHxD): 180 x 100 x 180 mm (7.1" x 3.9" x 7.1")
- Weight:
  - DIVE 1 FC: 1 Kg (2.2 lbs)
  - DIVE 1 R FC: 2.6 Kg (2.6 lbs)

## CONNECTIONS CHART

DRIVENET 28C DIN @24Vdc	DRIVENET 832 24Vdc	DRIVENET 1664 24Vdc
Max 12 (6 items per output)	Max 48 (6 items per output)	Max 96 (6 items per output)

## ACCESSORIES ON REQUEST

- HUB-IP20 Screw terminals 1 IN / 3 OUT (code 03.LA.131)
- HUB-IP56 Screw terminals 1 IN / 3 OUT (code 03.LA.131.IP56)
- 8-pole underwater cable (code 0509C113)

### ONLY FOR DIVE 1 R FC

- OUTERCASE Stay-in-place casting form (code 03.LA.113)

## PHOTOMETRIC DATA

LEDs current 700mA

	mt 1 ft 3.28	mt 2 ft 6.56	mt 3 ft 9.84	mt 4 ft 13.12	mt 5 ft 16.40
<b>BEAM ANGLE 22°</b>					
lux center (lx)	1751	438	195	109	70
foot candles (fc)	163	41	18	10	7
diameter (cm)	39	78	117	156	194
diameter (ft)	1.28	2.55	3.83	5.10	6.38
<b>BEAM ANGLE 28°</b>					
lux center (lx)	1189	297	132	74	48
foot candles (fc)	111	28	12	7	4
diameter (cm)	50	100	150	199	249
diameter (ft)	1.64	3.27	4.91	6.54	8.18