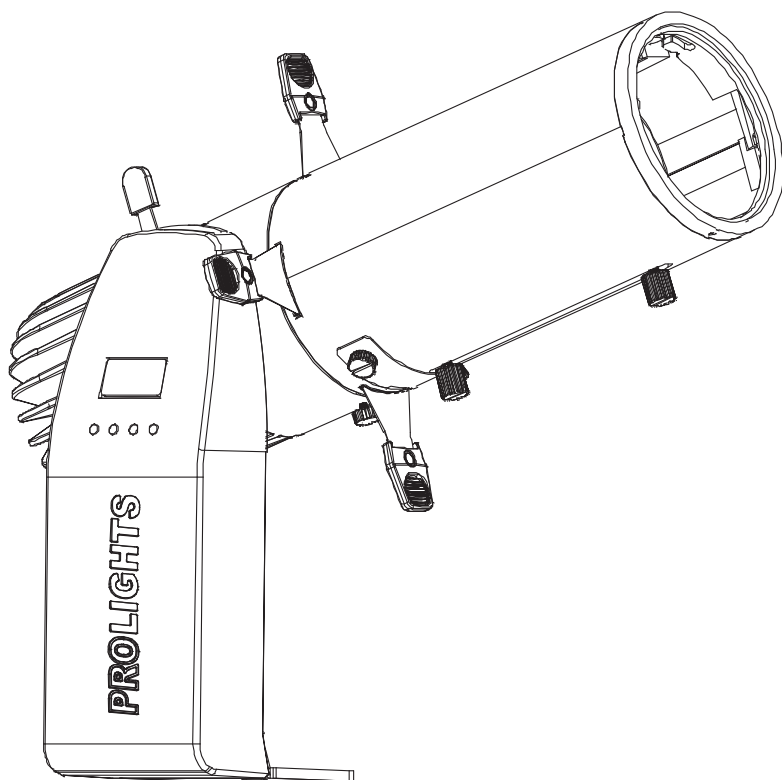


# GALLERYECLTU GALLERYECLDY

MINI LED ELLIPSOIDAL



USER MANUAL  
MANUALE UTENTE

All rights reserved by Music & Lights S.r.l. No part of this instruction manual may be reproduced in any form or by any means for any commercial use.

In order to improve the quality of products, Music&Lights S.r.l. reserves the right to modify the characteristics stated in this instruction manual at any time and without prior notice.  
All revisions and updates are available in the 'manuals' section on site [www.musiclights.it](http://www.musiclights.it)

**TABLE OF CONTENTS****Safety**

General instructions .....	2
Warnings and installation precautions .....	2

**1 Introduction**

1.1 Operating elements and connections .....	4
--	---

**2 Installation**

2.1 Mounting .....	5
--------------------	---

**3 Functions and settings**

3.1 Operation .....	6
3.2 Basic .....	6
3.3 Menu structure .....	7
3.4 DMX mode .....	8
3.5 DMX configuration .....	8
3.6 Wireless setting .....	8
3.7 Channels DMX .....	9
3.8 Display settings .....	10
3.9 Fixture settings .....	10
3.10 Fixture informations .....	10
3.11 Operations in automatic mode .....	11

**4 Maintenance**

4.1 Maintenance and cleaning the unit .....	12
4.2 Trouble shooting .....	12

---

<b>Packing content</b>	<ul style="list-style-type: none"><li>• GALLERYECLTU-DY</li><li>• User manual</li></ul>
------------------------	---

---




**WARNING!** Before carrying out any operations with the unit, carefully read this instruction manual and keep it with care for future reference. It contains important information about the installation, usage and maintenance of the unit.



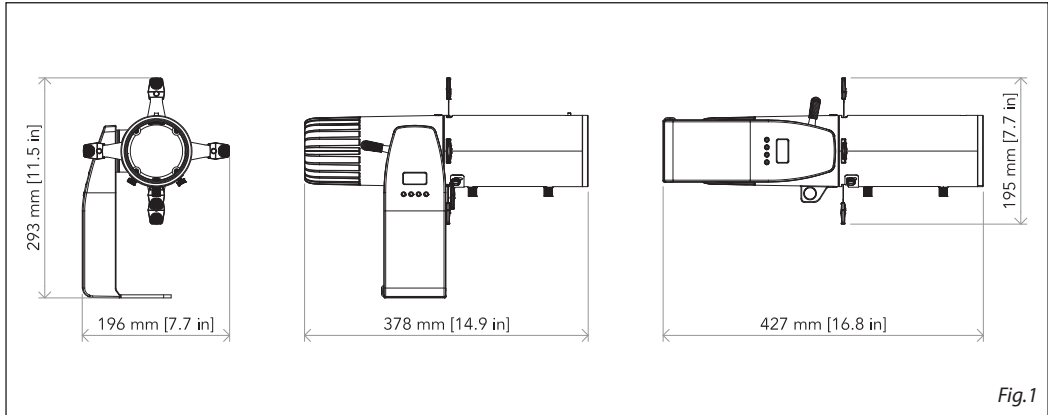
## SAFETY

### General instruction

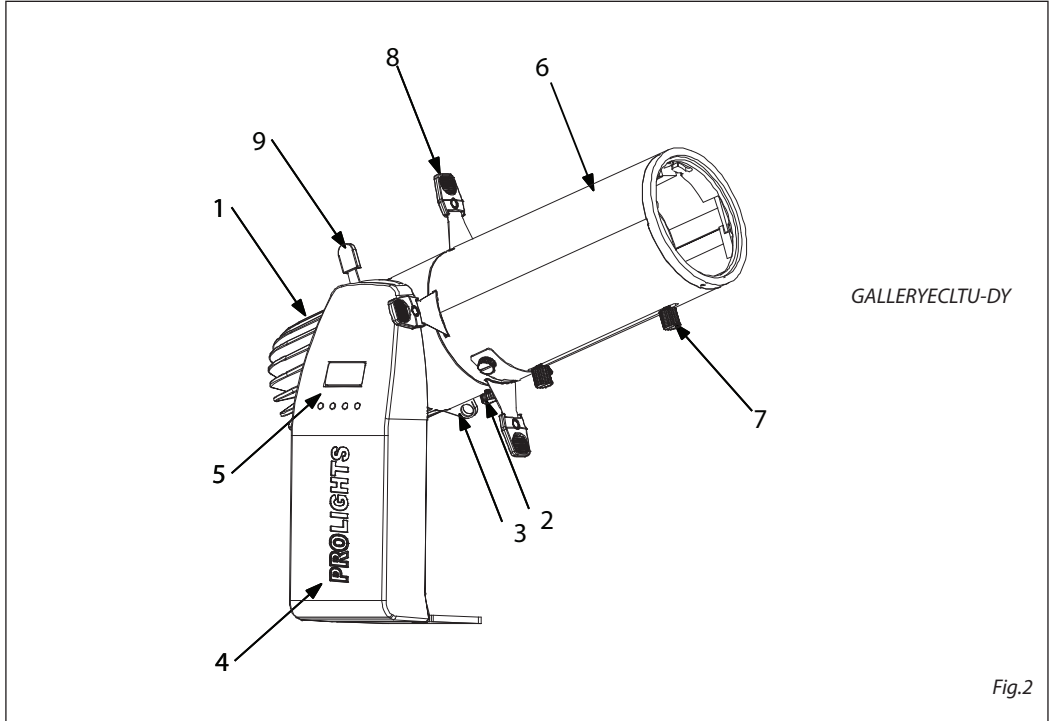
- The products referred to in this manual conform to the European Community Directives and are therefore marked with **CE**.
- The unit is supplied with hazardous network voltage (230V~). Leave servicing to skilled personnel only. Never make any modifications on the unit not described in this instruction manual, otherwise you will risk an electric shock.
- Connection must be made to a power supply system fitted with efficient earthing (Class I appliance according to standard EN 60598-1). It is, moreover, recommended to protect the supply lines of the units from indirect contact and/or shorting to earth by using appropriately sized residual current devices.
- The connection to the main network of electric distribution must be carried out by a qualified electrical installer. Check that the main frequency and voltage correspond to those for which the unit is designed as given on the electrical data label.
- This unit is not for home use, only professional applications.
- Never use the fixture under the following conditions:
  - in places subject to vibrations or bumps;
  - in places with a temperature of over 45 °C.
- Make certain that no inflammable liquids, water or metal objects enter the fixture.
- Do not dismantle or modify the fixture.
- All work must always be carried out by qualified technical personnel. Contact the nearest sales point for an inspection or contact the manufacturer directly.
- If the unit is to be put out of operation definitively, take it to a local recycling plant for a disposal which is not harmful to the environment. 

### Warnings and installation precautions

- If this device will be operated in any way different to the one described in this manual, it may suffer damage and the guarantee becomes void. Furthermore, any other operation may lead to dangers like short circuit, burns, electric shock, etc.
- Before starting any maintenance work or cleaning the projector, cut off power from the main supply.
- Always additionally secure the projector with the safety rope. When carrying out any work, always comply scrupulously with all the regulations (particularly regarding safety) currently in force in the country in which the fixture's being used.
- Install the fixture in a well ventilated place.
- Keep any inflammable material at a safe distance from the fixture.
- Shields, lenses or ultraviolet screens shall be changed if they have become damaged to such an extent that their effectiveness is impaired.
- The lamp (LED) shall be changed if it has become damaged or thermally deformed.
- Never look directly at the light beam. Please note that fast changes in lighting, e. g. flashing light, may trigger epileptic seizures in photosensitive persons or persons with epilepsy.
- Do not touch the product's housing when operating because it may be very hot.
- This product was designed and built strictly for the use indicated in this documentation. Any other use, not expressly indicated here, could compromise the good condition/operation of the product and/or be a source of danger.
- We decline any liability deriving from improper use of the product

**- 1 - TECHNICAL DRAWING**

## 1.1 OPERATING ELEMENTS AND CONNECTIONS



1. GALLERYECLTU-DY
2. LOCKING KNOB for optics profiler
3. SAFETY EYE to attach safety cable.
4. ROTARY ARM
5. CONTROL PANEL with display and 4 buttons used to access the control panel functions and manage them
6. GALLERYECLTU-DY optics profiler
7. FOCUS AND ZOOM ADJUSTING SCREW to zoom the projected image clearly
8. SHUTTER
9. FIXING TILT

## - 2 - INSTALLATION

### 2.1 MOUNTING

GALLERYECLTU-DY is designed for applications in exhibition areas, commercial spaces, museums, restaurant, churches, and any other installation where size is an important factor. For fixing, stable mounting clips are required. The mounting place must be of sufficient stability and be able to support a weight of 10 times of the unit's weight.

When carrying out any installation, always comply scrupulously with all the regulations (particularly regarding safety) currently in force in the country in which the fixture's being used.

- Install the projector at a suitable location.
- Always additionally secure the projector with the safety rope from falling down. For this purpose, fasten the safety rope at a suitable position so that the maximum fall of the projector will be 20 cm. The adjust the projector and use the knobs.

NOTE - For the installation of the GALLERYECLDY make sure that the ridge of the adaptor is in with the groove of the track. Turn knobs 90° to connect the adaptor to the circuit. Please see the figure 4.

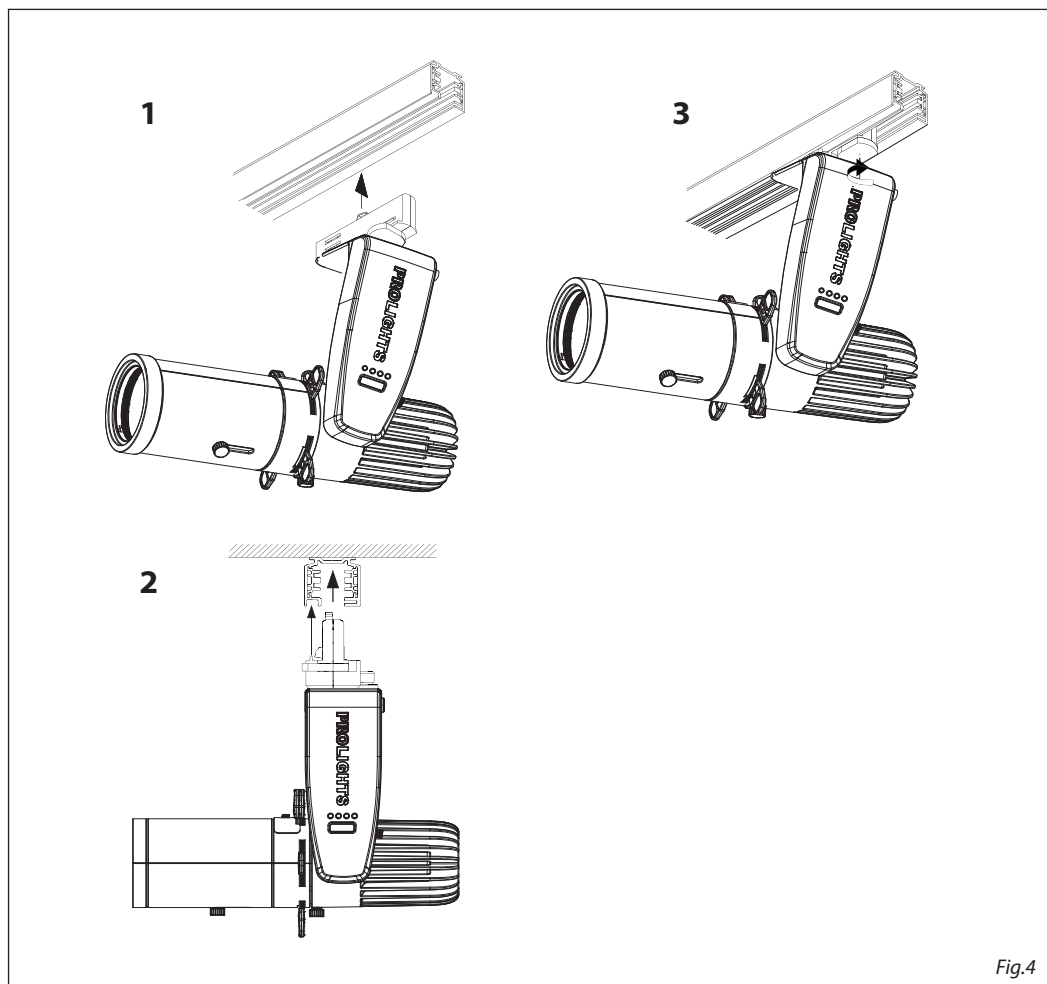


Fig.4

## - 3 - FUNCTIONS AND SETTINGS

### 3.1 OPERATION

To turn on the GALLERYECLTU-DY connect the supplied main cable to a socket (100-240 VAC-50/60 Hz). Then the unit is ready for operation. You can also adjust the dimmer and zoom using the knobs.

To switch off, disconnect the mains plug from the socket. For a more convenient operation it is recommended to connect the unit to a socket which can be switched on and off via a light switch.

**NOTE** - To operate the projector GALLERYECL you need a system track. The track system must be installed and maintained by a suitably qualified person in compliance with latest construction and relevant legislation. It is the responsibility of the installer to ensure the electrical, mechanical and thermal compatibility of the track system and the fittings. The connection to the main network of electric distribution must be carried out by a qualified electrical installer.

**ATTENTION** - Mains voltage must be switched off before mounting; maintenance; insert and replace Adaptors; spots and luminaires.

### 3.2 BASIC

Access control panel functions using the four panel buttons located directly underneath the LED Display (fig.5).

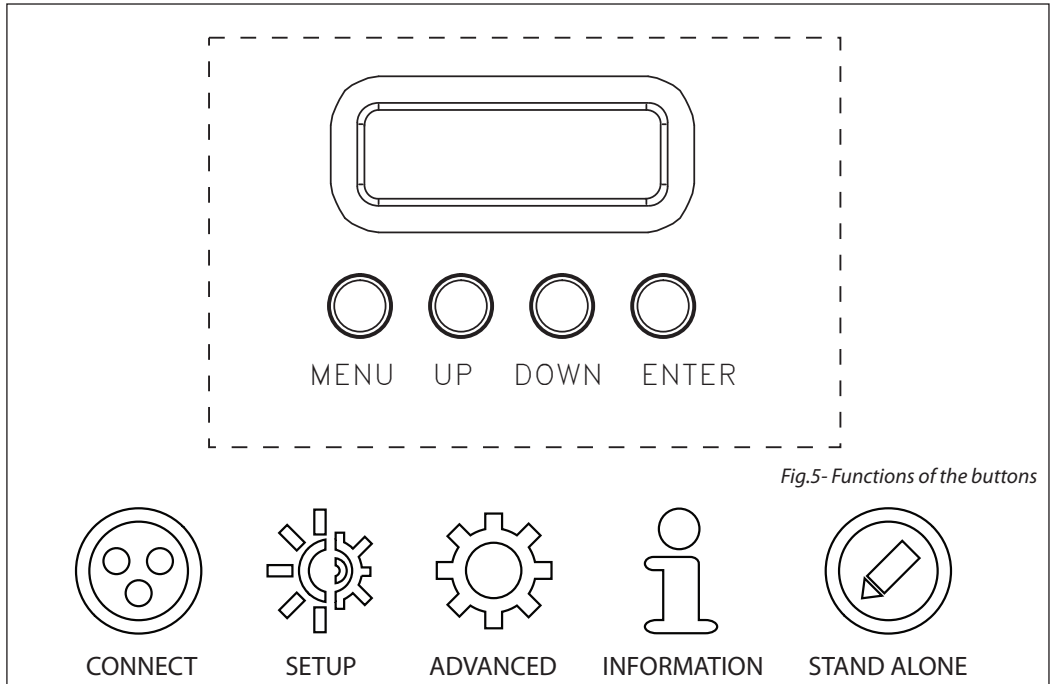


Fig.5- Functions of the buttons

MENU	UP	DOWN	ENTER
Used to access the menu or to return a previous menu option	Navigates downwards through the menu list and increases the numeric value when in a function	Navigates upwards through the menu list and decreases the numeric value when in a function	Used to select and store the current menu or confirm the current function value or option within a menu



## 3.3 MENU STRUCTURE

MENU				
1	<b>CONNECT</b>	⇒ Address	⇒ Value (1-512)	
		⇒ DMX Mode	⇒ Basic 1CH	
			STANDARD 3CH	
		⇒ Wireless	⇒ Receive	⇒ ON/OFF
		Reset Connect	⇒ YES/NO	
2	<b>SET UP</b>	⇒ Screen	⇒ Backlight	⇒ On (10s,20s,30s)
			Flip Display	⇒ YES/NO
			Key Lock	⇒ YES/NO
3	<b>ADVANCED</b>	⇒ Dimmer Mode	⇒ off	
			Dimmer 1	
			Dimmer 2	
			Dimmer 3	
	⇒ Factory Reload	⇒ YES/NO		
4	<b>INFORMATION</b>	⇒ Fixture Time		
		Temperature		
		Version		
5	<b>STAND ALONE</b>	⇒ Master/Slave	⇒ Master/Slave	
		⇒ Sequence	⇒ Show 1 (1~100)	
			Show 2 (1~100)	
			Show 3 (1~100)	
			Show 4 (1~100)	
		⇒ Static	⇒ Dimmer	
		Strobe		

### 3.4 DMX MODE

- Press the button MENU so many times until the display shows **DMX ADDRESS**, and press the button ENTER to confirm.
- Press UP/DOWN button to select the desired value (**001-512**). Press and hold to scroll quickly.
- Press ENTER button to store.
- Press the MENU button to go back or to meet the waiting time to exit the setup menu.

To able to operate the GALLERYECLTU-DY/TRWD with a light controller, adjust the DMX start address for the first a DMX channel. If e. g. address 33 on the controller is provided for controlling the function of the first DMX channel, adjust the start address 33 on the GALLERYECLTU-DY/TRWD. The other functions of the light effect panel are then automatically assigned to the following addresses.

An example with the start address 33 is shown below:

### 3.5 DMX CONFIGURATION

GALLERYECLTU-DY/TRWD is equipped with different DMX configuration.

- Press the button MENU so many times until shows **DMX CHANNEL**, and press the button ENTER to confirm.
- Select the desired DMX configuration (**1CH - 3CH**) through the buttons UP/DOWN.

The tables on page 16 indicate the operating mode and DMX value.

### 3.6 WIRELESS SETTING

To set the wireless mode refer to the following guide:

- Press the MENU button until the display shows **Wireless Setting**, then press the ENTER button.
- Use the UP/DOWN button until the display reads **Wireless Receive**, and then press the ENTER button and select the **ON** mode.
- Press the MENU button to go back or to meet the waiting time to exit the setup menu.

NOTE - After you complete these steps, you have to synchronize with any wifi unit with which you want to communicate by pressing the sync button present on the same. Then connect any DMX console to wifi unit for to open the communication with the GALLERYECLTU-DY/TRWD unit.

- To reset the unit press the MENU button until the display shows **Reset Connect**, then press the ENTER button.
- Use the UP/DOWN button until the display reads **Yes**, and then press the ENTER button.

Press the MENU button to go back or to meet the waiting time to exit the setup menu.

Number of DMX channels	Start address (example)	DMX Address occupied	Next possible start address for unit No. 1	Next possible start address for unit No. 2	Next possible start address for unit No. 3
3	33	33-35	36	39	42

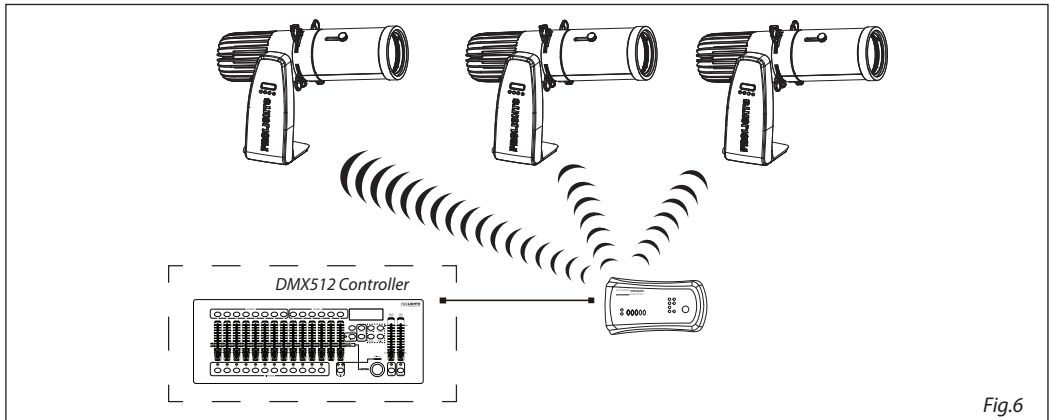


Fig.6

## 3.7 CHANNELS DMX

## 1 CANALE

<b>MODE</b> <b>1 Ch</b>	<b>FUNCTION</b>	<b>DMX</b> <b>Value</b>
1	<b>DIMMER</b> 0~100%	000 - 255

## 3 CANALI

<b>MODE</b> <b>3 Ch</b>	<b>FUNCTION</b>	<b>DMX</b> <b>Value</b>
1	<b>DIMMER</b> 0~100%	000 - 255
2	<b>SHUTTER</b> No function (shutter open) Strobe effect slow to fast No function (shutter open) Pulse-effect in sequences(slow to fast) No function (shutter open) Random strobe effect slow to fast No function (shutter open)	000 - 010 011 - 082 083 - 093 094 - 163 164 - 174 175 - 244 245 - 255
3	<b>DIMMER FADE</b> Preset dimmer speed from display menu Dimmer snap to fade	000 - 000 001 - 255

### 3.8 DISPLAY SETTINGS

You can change the following parameters related to the display, following the same procedure:

- Press the ENTER button to access the main menu.
- Press the UP / DOWN keys to scroll the menu, select the Setup icon, then press the ENTER button to enter the next menu.
- Press UP / DOWN to scroll through the menu, then select UI Set, and press the ENTER button to enter the next menu.
- Press UP / DOWN to scroll through the menu, and then select one of the following settings for the display and press the ENTER key to display it.
  - **Back Light** - Backlight display Auto Off. This feature allows you to automatically turn off the backlight after a specified time that you can set using the arrow buttons.
  - **Flip Display** - Orientation of the display. This function allows you to rotate the display 180° to get a better view of the display when the unit is hanging upside down. Select YES to activate or NO to disable this function.
  - **Key Lock** - Lock keys. With this function, you can lock the buttons on the control panel. If this function is activated, the keys are automatically locked. To disable or temporarily disable the key lock function, press the buttons in the following order to regain access to menu commands: UP, DOWN, UP, DOWN, ENTER. Select YES to activate or NO to disable.
- Press the ENTER button to confirm your choice.
- Press the LEFT button repeatedly to exit the menu and save changes.

### 3.9 FIXTURE SETTINGS

It is possible to change the parameter value in the following way:

#### Dimmer

- Enter in Dimmer mode to select specific dimming curve, press the button MENU so many times until shows **DIM MODE**, and press the button ENTER to confirm.
- Press the button UP/DOWN to select **OFF - DIM1 - DIM2 - DIM3**.
- Press ENTER button to store.
- Press the MENU button to go back or to meet the waiting time to exit the setup menu.

#### Factory Reload

Selezionare questa funzione per ripristinare l'unità alle impostazioni di fabbrica:

- Premere il tasto ENTER per accedere al menu principale.
- Premere il tasto UP/DOWN per scorrere nel menu, selezionare l'icona **Advanced**, quindi premere il tasto ENTER per accedere al menu successivo.
- Premere il tasto UP/DOWN per selezionare **Reload Default** e premere il tasto ENTER per procedere.
- Premere il tasto UP/DOWN per selezionare la modalità di ripristino preferita **Basic Reload/Program Reload/Private Reload/All Reload**, quindi premere il tasto ENTER per confermare.
- Premere i tasti UP/DOWN per selezionare **YES** oppure **NO**, quindi premere il tasto ENTER per confermare.

### 3.10 FIXTURE INFORMATION

To view all the information on the device, proceed as follows:

- Press the ENTER button to access the main menu.
- Press the UP/DOWN button to scroll the menu, select the icon Information, then press the ENTER button to enter the next menu.
- Press the UP/DOWN button to scroll through the menu, then select one of the following information and press the ENTER button to display it.

- **Fixture Time** - Through the Fixture Time function you can display the operating time of the projector.
  - **Temperature** - Through the Temperature function can be displayed the temperature inside the fixture, near the lamp. The temperature can be displayed in degrees Celsius or Fahrenheit.
  - **Version** - Through Version function you can display the currently installed software version.
- Press the LEFT button repeatedly to exit the menu.

### 3.11 OPERATIONS IN AUTOMATIC MODE

The unit independently runs through its show. Before you send an automatic program you need to set the drive as Master/Alone:

- Press the ENTER button to access the main menu.
- Press the UP/DOWN button to scroll the menu, select the **Stand Alone** icon, then press the ENTER button to enter the next menu.

Press the UP/DOWN button to scroll through the menu, select **Master/Slave** and press ENTER to confirm your choice.

- Press the UP/DOWN button to select the mode of operation:
  - **Master**, if the unit is connected in series with other units and it acts as the Master;
  - **Slave**, if the unit is not connected to other units.
- Press the ENTER button to confirm your choice.

Press the UP/DOWN button to scroll through the menu, select **Sequence** and press ENTER to confirm your choice.

- Press the UP/DOWN button to select the mode of operation: **Show 1, Show 2, Show 3, Show 4**
- Press the ENTER button to confirm your choice.
- Press the LEFT button repeatedly to exit the menu and save changes.

The unit will go into automatic mode by executing the program automatically.

## - 4 - MAINTENANCE

### 4.1 MAINTENANCE AND CLEANING THE UNIT

- Make sure the area below the installation place is free from unwanted persons during setup.
- Switch off the unit, unplug the main cable and wait until the unit has cooled down.
- All screws used for installing the device and any of its parts should be tightly fastened and should not be corroded.
- Housings, fixations and installation spots (ceiling, trusses, suspensions) should be totally free from any deformation.
- The main cables must be in impeccable condition and should be replaced immediately even when a small problem is detected.
- It is recommended to clean the front at regular intervals, from impurities caused by dust, smoke, or other particles to ensure that the light is radiated at maximum brightness. For cleaning, disconnect the main plug from the socket. Use a soft, clean cloth moistened with a mild detergent. Then carefully wipe the part dry. For cleaning other housing parts use only a soft, clean cloth. Never use a liquid, it might penetrate the unit and cause damage to it.

### 4.2 TROUBLESHOOTING

Problems	Possible causes	Checks and remedies
Fixture does not light up	<ul style="list-style-type: none"> <li>• No mains supply</li> <li>• Dimmer fader set to 0</li> <li>• Faulty LED</li> </ul>	<ul style="list-style-type: none"> <li>• Check the power supply voltage</li> <li>• Increase the value of the dimmer channels</li> <li>• Replace the LED board</li> </ul>
General low light intensity	<ul style="list-style-type: none"> <li>• Dirty lens assembly</li> <li>• Misaligned lens assembly</li> </ul>	<ul style="list-style-type: none"> <li>• Clean the fixture regularly</li> <li>• Install lens assembly properly</li> </ul>
Fixture does not power up	<ul style="list-style-type: none"> <li>• No power</li> <li>• Loose or damaged power cord</li> </ul>	<ul style="list-style-type: none"> <li>• Check for power on power outlet</li> <li>• Check power cord</li> </ul>

Contact an authorized service center in case of technical problems or not reported in the table can not be resolved by the procedure given in the table.

Music & Lights S.r.l. si riserva ogni diritto di elaborazione in qualsiasi forma delle presenti istruzioni per l'uso.  
La riproduzione - anche parziale - per propri scopi commerciali è vietata.

Al fine di migliorare la qualità dei prodotti, la Music&Lights S.r.l. si riserva la facoltà di modificare, in qualunque momento e senza preavviso, le specifiche menzionate nel presente manuale di istruzioni.  
Tutte le revisioni e gli aggiornamenti sono disponibili nella sezione 'Manuali' sul sito [www.musiclights.it](http://www.musiclights.it)

<b>INDICE</b>	<b>Sicurezza</b>	
	Avvertenze generali .....	4
	Attenzioni e precauzioni per l'installazione .....	4
	<b>1 Disegno tecnico</b>	5
	1.1 Elementi di comando e di collegamento .....	6
	<b>2 Installazione</b>	
	2.1 Montaggio .....	7
	<b>3 Funzioni e impostazioni</b>	
	3.1 Funzionamento .....	8
	3.2 Impostazione base .....	8
	3.3 Struttura menù .....	9
	3.4 Modalità Autoshow .....	10
	3.5 Modalità Static .....	10
	3.6 Configurazione canali .....	10
	3.7 Modalità DMX .....	11
	3.8 Canali DMX .....	12
	3.9 Funzioni dispositivo .....	12
	3.10 Informazioni sul dispositivo .....	12
	3.11 Impostazioni Wireless .....	13
	<b>4 Manutenzione</b>	
	4.1 Manutenzione e pulizia del sistema ottico .....	14
	4.2 Risoluzione dei problemi .....	14

---

**Contenuto dell'imballo:**

- GALLERYECLTU-DY
- Manuale utente

---






**ATTENZIONE!** Prima di effettuare qualsiasi operazione con l'unità, leggere con attenzione questo manuale e conservarlo accuratamente per riferimenti futuri. Contiene informazioni importanti riguardo l'installazione, l'uso e la manutenzione dell'unità.



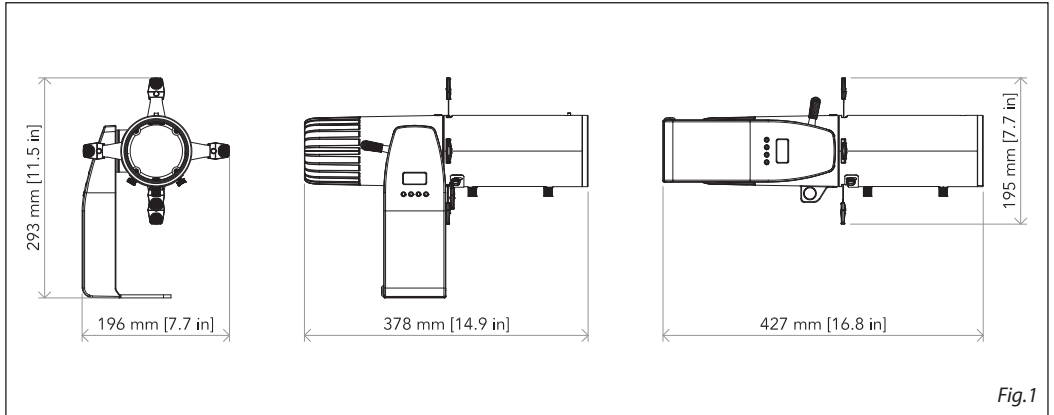
## SICUREZZA

### Avvertenze generali

- I prodotti a cui questo manuale si riferisce sono conformi alle Direttive della Comunità Europea e pertanto recano la sigla **CE**.
- Il dispositivo funziona con pericolosa tensione di rete 230V~. Non intervenire mai al suo interno al di fuori delle operazioni descritte nel presente manuale; esiste il pericolo di una scarica elettrica.
- È obbligatorio effettuare il collegamento ad un impianto di alimentazione dotato di un'efficiente messa a terra (apparecchio di Classe I secondo norma EN 60598-1). Si raccomanda, inoltre, di proteggere le linee di alimentazione delle unità dai contatti indiretti e/o cortocircuiti verso massa tramite l'uso di interruttori differenziali opportunamente dimensionati.
- Le operazioni di collegamento alla rete di distribuzione dell'energia elettrica devono essere effettuate da un installatore elettrico qualificato. Verificare che frequenza e tensione della rete corrispondono alla frequenza ed alla tensione per cui l'unità è predisposta, indicate sulla targhetta dei dati elettrici.
- L'unità non per uso domestico, solo per uso professionale.
- Evitare di utilizzare l'unità:
  - in luoghi soggetti a vibrazioni, o a possibili urti;
  - in luoghi a temperatura superiore ai 45°C.
- Evitare che nell'unità penetrino liquidi infiammabili, acqua o oggetti metallici.
- Non smontare e non apportare modifiche all'unità.
- Tutti gli interventi devono essere sempre e solo effettuati da personale tecnico qualificato. Rivolgersi al più vicino centro di assistenza tecnica autorizzato.
- Se si desidera eliminare il dispositivo definitivamente, consegnarlo  per lo smaltimento ad un'istituzione locale per il riciclaggio.

### Attenzioni e precauzioni per l'installazione

- Se il dispositivo dovesse trovarsi ad operare in condizioni differenti da quelle descritte nel presente manuale, potrebbero verificarsi dei danni; in tal caso la garanzia verrebbe a decadere. Inoltre, ogni altra operazione potrebbe provocare cortocircuiti, incendi, scosse elettriche, rotture etc.
- Prima di iniziare qualsiasi operazione di manutenzione o pulizia sull'unità togliere la tensione dalla rete di alimentazione.
- È assolutamente necessario proteggere l'unità per mezzo di una fune di sicurezza. Nell'eseguire qualsiasi intervento attenersi scrupolosamente a tutte le normative (in materia di sicurezza) vigenti nel paese di utilizzo.
- Installare l'unità in un luogo ben ventilato.
- Mantenere i materiali infiammabili ad una distanza di sicurezza dall'unità.
- I filtri, le lenti o gli schermi ultravioletti se danneggiati possono limitare la loro efficienza.
- I LED devono essere sostituiti se danneggiati o termicamente deformati.
- Non guardare direttamente il fascio luminoso. Tenete presente che i veloci cambi di luce possono provocare attacchi d'epilessia presso persone fotosensibili o epilettiche.
- Non toccare l'alloggiamento del prodotto quando è in funzione perché potrebbe essere molto caldo.
- Questo prodotto è stato progettato e costruito esclusivamente per l'utilizzo indicato in questa documentazione. Qualsiasi altro utilizzo non espressamente indicato potrebbe pregiudicare la funzionalità del prodotto e/o rappresentare fonte di pericolo.
- Si declina qualsiasi responsabilità derivata dall'uso improprio del prodotto.

**- 1 - DISEGNO TECNICO**

## 1.1 ELEMENTI DI COMANDO E COLLEGAMENTI

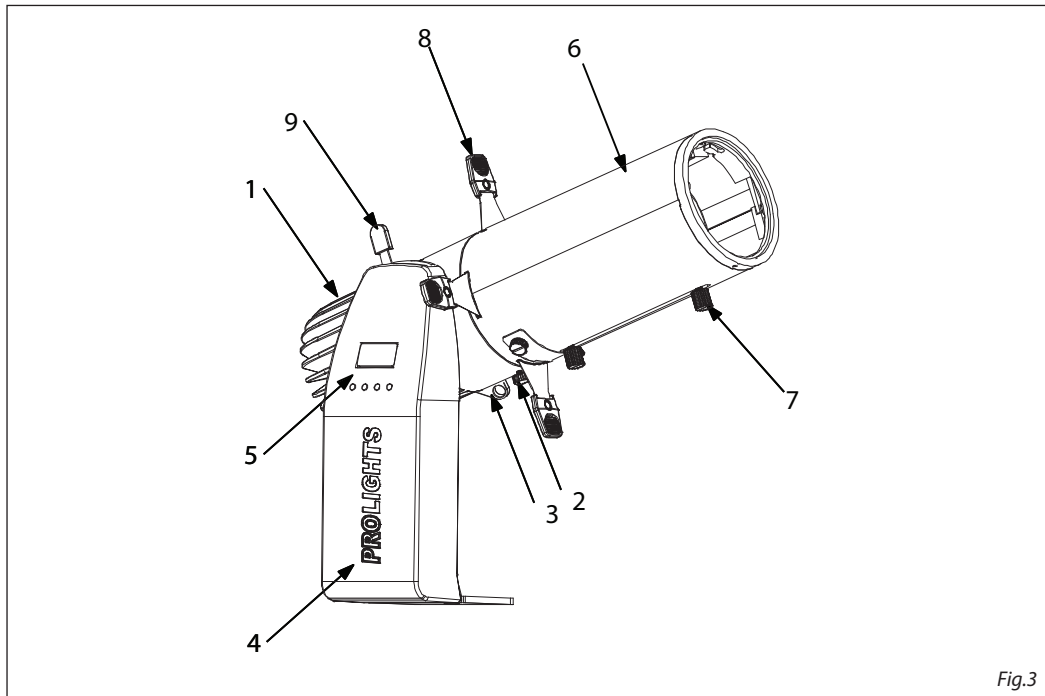


Fig.3

1. GALLERYECLTU-DY
2. VITE DI FISSAGGIO OTTICA SAGOMATORE
3. SAFETY EYE per l'aggancio al cavo di sicurezza
4. BRACCIO GIREVOLE
5. PANNELLO DI CONTROLLO con display e 4 pulsanti per accesso e gestione delle diverse funzioni.
6. GALLERYECLTU-DY ottica per sagomatore
7. VITE DI REGOLAZIONE ZOOM E MESSA A FUOCO per zoommare l'immagine proiettata in modo chiaro
8. OTTURATORE
9. LEVA fissaggio tilt

## - 2 - INSTALLAZIONE

### 2.1 MONTAGGIO

GALLERYECLTU-DY è stato progettato per applicazioni in campo commerciale, musei, ristoranti, chiese, teatri educativi e qualsiasi altro ambito in cui le dimensioni rappresentano un fattore importante.

Per il fissaggio occorrono dei supporti robusti per il montaggio. L'area di collocazione deve avere una stabilità sufficiente e supportare almeno 10 volte il peso dell'unità. Inoltre assicurarsi di rispettare tutte le avvertenze in materia di sicurezza.

- Fissare il proiettore ad una collocazione idonea.
- È assolutamente necessario assicurare il proiettore contro la caduta utilizzando un cavo di sicurezza: in particolare collegare il cavo in un punto adatto in modo che la caduta del proiettore non possa superare i 20 cm. Quindi orientare il proiettore.

NOTA - Per l'installazione del proiettore GALLERYECL inserire il track adapter (optional) in un idoneo binario a quattro linee quindi ruotare la manopola di 90° per collegare l'adattatore al circuito. Far riferimento alla sequenza di operazioni mostrate in figura 4.

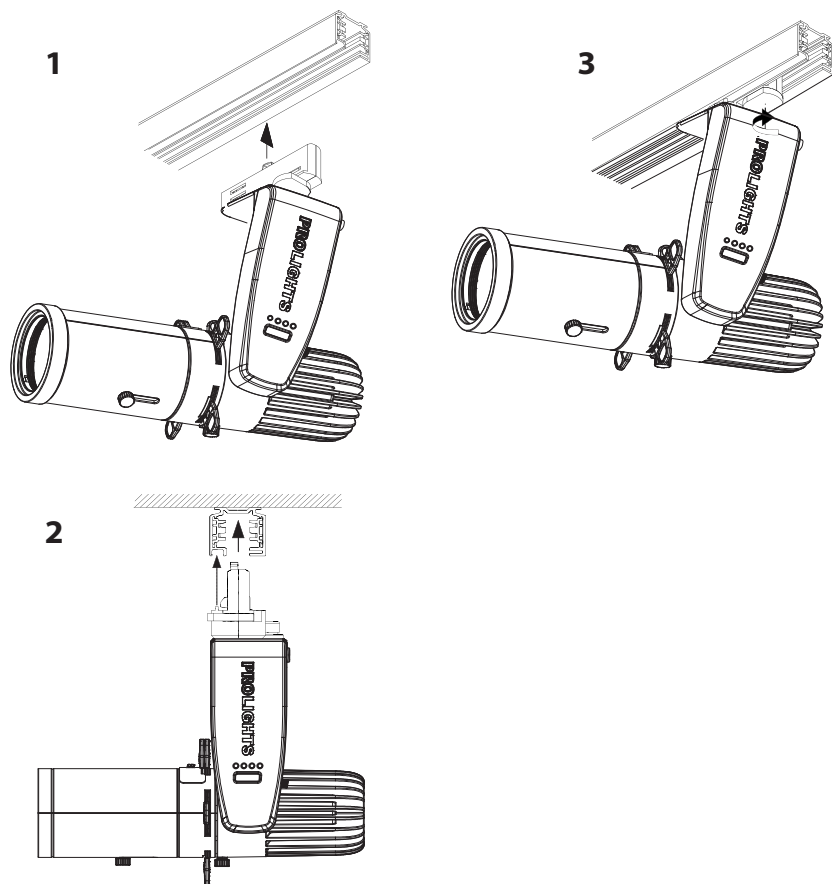


Fig.4

## - 3 - FUNZIONI E IMPOSTAZIONI

### 3.1 FUNZIONAMENTO

Per accendere il GALLERYECLTU-DY, inserire la spina del cavo di alimentazione in una presa di rete (100-240V~/50-60Hz). Effettuare le regolazioni del dimmer e dello zoom mediante le relative manopole. Dopo l'utilizzo spegnere il dispositivo, staccare la spina dalla presa di rete. Per maggiore comodità è consigliabile collegare l'unità con una presa comandata da un interruttore.

NOTA - Per il funzionamento del proiettore GALLERYECL è necessario realizzare invece un sistema track. Il sistema di binari deve essere installato e gestito da personale qualificato in conformità con le relative normative vigenti nel paese di utilizzo. È responsabilità dell'installatore garantire la compatibilità elettrica, meccanica e termica del sistema. In particolare, le operazioni di collegamento alla rete di distribuzione dell'energia elettrica devono essere effettuate da un installatore elettrico qualificato.

ATTENZIONE - Assicurarasi di togliere la tensione di alimentazione prima di iniziare qualsiasi intervento di manutenzione, inserimento e sostituzione di track-adppter (optional) e dispositivi di illuminazione.

### 3.2 IMPOSTAZIONE BASE

Il GALLERYECLTU-DY dispone di un display e 4 pulsanti per accesso alle funzioni del pannello di controllo (fig.5).

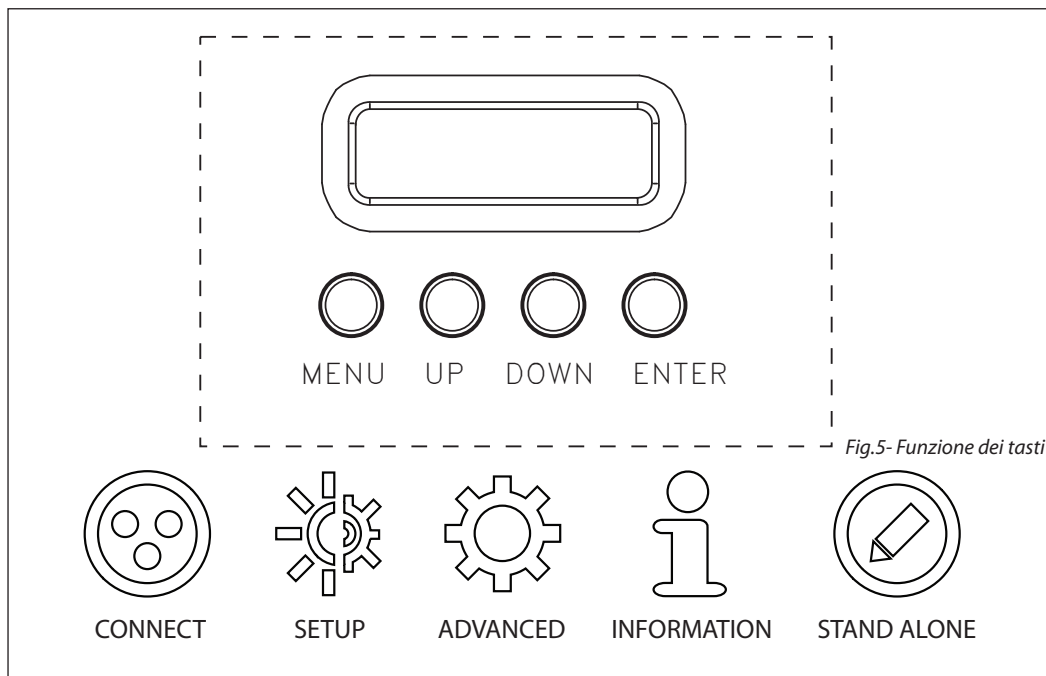


Fig.5- Funzione dei tasti

MENU	UP	DOWN	ENTER
Per scorrere il menu principale o tornare ad una opzione del menu precedente	Per scorrere attraverso le diverse funzioni in ordine discendente o aumentare il valore della funzione stessa	Per scorrere attraverso le diverse funzioni in ordine ascendente o diminuire il valore della funzione stessa	Per entrare nel menu selezionato o confermare il valore attuale della funzione o l'opzione all'interno di un menu

## 3.3 STRUTTURA MENU

	MENU	
1	<b>CONNECT</b>	⇒ Address      ⇒ Value (1-512)
		⇒ DMX Mode      ⇒ Basic 1CH STANDARD 3CH
		⇒ Wireless      ⇒ Receive      ⇒ ON/OFF Reset Connect      ⇒ YES/NO
2	<b>SET UP</b>	⇒ Screen      ⇒ Backlight      ⇒ On (10s,20s,30s) Flip Display      ⇒ YES/NO Key Lock      ⇒ YES/NO
3	<b>ADVANCED</b>	⇒ Dimmer Mode      ⇒ off Dimmer 1 Dimmer 2 Dimmer 3
		⇒ Factory Reload      ⇒ YES/NO
4	<b>INFORMATION</b>	⇒ Fixture Time Temperature Version
5	<b>STAND ALONE</b>	⇒ Master/Slave      ⇒ Master/Slave
		⇒ Sequence      ⇒ Show 1 (1~100) Show 2 (1~100) Show 3 (1~100) Show 4 (1~100)
		⇒ Static      ⇒ Dimmer Strobe

### 3.4 MODALITÀ DMX

- Per impostare l'indirizzo DMX, premere il tasto MENU fino a quando sul display non appare **DMX ADDRESS**, quindi premere il tasto ENTER.
- Premere il tasto UP/DOWN per selezionare il valore desiderato (**001-512**); tenere premuto invece il tasto UP/DOWN per lo scorrimento veloce. Premere il tasto ENTER per confermare l'impostazione.

Per poter comandare il GALLERYECLTU-DY/TRWD con un'unità di comando luce, occorre impostare l'indirizzo di start DMX per il primo canale DMX. Se, per esempio, sull'unità di comando è previsto l'indirizzo 33 per comandare la funzione del primo canale DMX, si deve impostare sul GALLERYECLTU-DY/TRWD l'indirizzo di start 33. Le altre funzioni del pannello saranno assegnate automaticamente agli indirizzi successivi. Segue un esempio con indirizzo 33 di start:

### 3.5 CONFIGURAZIONE CANALI DMX

Il GALLERYECLTU-DY/TRWD dispone di diverse configurazioni dei canali DMX a cui si può accedere dal pannello di controllo.

- Premere il tasto MENU fino a quando sul display non appare **DMX CHANNEL**, quindi premere il tasto ENTER.
- Attraverso i tasti UP/DOWN selezionare la configurazione dei canali DMX che si desidera (**1CH - 3CH**). Premere il tasto ENTER per confermare.

Le tabelle a pagina 16 indicano le modalità di funzionamento e i relativi valori DMX.

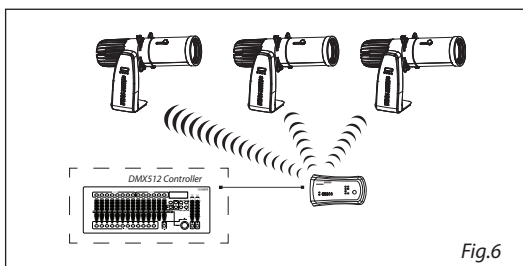
### 3.6 IMPOSTAZIONI WIRELESS

- Per entrare nella modalità impostazione wireless premere il tasto MENU fino a quando sul display non appare **Wireless Setting**, quindi premere il tasto ENTER.
- Selezionare la funzione **Wireless Receive** attraverso i tasti UP/DOWN, quindi premere il tasto ENTER.
- Per attivare la modalità di ricezione wireless utilizzare i tasti UP/DOWN e selezionare l'opzione **On**.
- Premere il tasto ENTER per confermare la scelta.
- Premere il tasto MENU per tornare indietro o attendere alcuni secondi per uscire dal menu di impostazione.

NOTA - Una volta eseguiti questi passi, bisogna effettuare la sincronizzazione con l'eventuale unità wifi con la quale si vuole comunicare premendo il pulsante di sincronizzazione presente sulla stessa. A questo punto collegare l'eventuale console DMX all'unità wifi per aprire la comunicazione con lo GALLERYECLTU-DY

- Per effettuare il reset dell'unità selezionare invece la funzione **Reset Connect** attraverso i tasti UP/DOWN, quindi premere il tasto ENTER.
- Per eseguire l'operazione utilizzare i tasti UP/DOWN e selezionare l'opzione **Yes**.
- Premere il tasto ENTER per confermare la scelta.
- Premere il tasto MENU per tornare indietro o attendere alcuni secondi per uscire dal menu di impostazione.

Numero canali DMX	Indirizzo di start (esempio)	Indirizzo DMX occupati	Prossimo indirizzo di start possibile per unità n°1	Prossimo indirizzo di start possibile per unità n°2	Prossimo indirizzo di start possibile per unità n°3
3	33	33-35	36	39	42



## 3.7 CANALI DMX

## 1 CANALE

<b>MODE</b> <b>1 Ch</b>	<b>FUNCTION</b>	<b>DMX</b> <b>Value</b>
1	<b>DIMMER</b> 0~100%	000 - 255

## 3 CANALI

<b>MODE</b> <b>3 Ch</b>	<b>FUNCTION</b>	<b>DMX</b> <b>Value</b>
1	<b>DIMMER</b> 0~100%	000 - 255
2	<b>SHUTTER</b> No function (shutter open) Strobe effect slow to fast No function (shutter open) Pulse-effect in sequences(slow to fast) No function (shutter open) Random strobe effect slow to fast No function (shutter open)	000 - 010 011 - 082 083 - 093 094 - 163 164 - 174 175 - 244 245 - 255
3	<b>DIMMER FADE</b> Preset dimmer speed from display menu Dimmer snap to fade	000 - 000 001 - 255



### 3.8 IMPOSTAZIONI DISPLAY

È possibile modificare i seguenti parametri, relativi al display, seguendo la medesima procedura:

- Premere il tasto ENTER per accedere al menu principale.
- Premere il tasto UP/DOWN per scorrere nel menu, selezionare l'icona **Setup**, quindi premere il tasto ENTER per accedere al menu successivo.
- Premere il tasto UP/DOWN per selezionare **Screen** e premere il tasto ENTER per procedere.
- Premere il tasto UP/DOWN per selezionare una delle seguenti impostazioni relative al display e premere il tasto ENTER per visualizzarla.
  - **Backlight** - Retroilluminazione display Auto Off. Questa funzione permette di spegnere automaticamente la retroilluminazione del display dopo un determinato tempo che può essere impostato tramite i tasti direzionali.
  - **Flip Display** - Orientamento del display. Questa funzione permette di ruotare il display di 180° per ottenere una migliore visualizzazione del display quando l'unità è appesa a testa in giù. Selezionare YES per attivare la funzione oppure NO per disattivarla.
  - **Key lock** - Blocco tasti. Con questa funzione è possibile bloccare i tasti del pannello di controllo, per evitare, ad esempio, manomissioni delle impostazioni. Se questa funzione viene attivata, i tasti vengono bloccati automaticamente. Per disattivare o temporaneamente o disattivare la funzione di blocco tasti, premere i tasti nel seguente ordine per riottenere l'accesso ai comandi di menu: SU, GIÙ, SU, GIU, ENTER. Selezionare YES per attivare la funzione oppure NO per disattivarla.
- Premere il tasto ENTER per confermare la scelta.
- Premere il tasto LEFT più volte per uscire dal menu e per salvare le modifiche apportate.

### 3.9 FUNZIONI DISPOSITIVO

Per il GALLERYECLTU-DY è possibile accedere alle seguenti funzioni dispositivo:

#### Dimmer

- Per entrare nella modalità dimmer e scegliere e simulare diverse curve dimming, scorrere nel menu, selezionare l'icona **Advanced**, scorrere nel MENU fino a quando sul display non compare **DIM MODE**, quindi premere il tasto ENTER.
- Premere il tasto UP/DOWN per selezionare (**OFF - DIM1 - DIM2 - DIM3**).
- Premere il tasto ENTER per confermare la scelta.
- Premere il tasto MENU per tornare indietro o attendere alcuni secondi per uscire dal menu di impostazione.

#### Factory Reload

Selezionare questa funzione per ripristinare l'unità alle impostazioni di fabbrica:

- Premere il tasto ENTER per accedere al menu principale.
- Premere il tasto UP/DOWN per scorrere nel menu, selezionare l'icona **Advanced**, quindi premere il tasto ENTER per accedere al menu successivo.
- Premere il tasto UP/DOWN per selezionare **Factory Reload** e premere il tasto ENTER per procedere.
- Premere i tasti UP/DOWN per selezionare **Yes** oppure **No**, quindi premere il tasto ENTER per confermare.

### 3.10 INFORMAZIONI SUL DISPOSITIVO

Per visualizzare tutte le informazioni sul dispositivo procedere nel seguente modo:

- Premere il tasto ENTER per accedere al menu principale.
- Premere il tasto UP/DOWN per selezionare l'icona **Information**, quindi premere il tasto ENTER per accedere al menu successivo.
- Premere il tasto UP/DOWN per scorrere nel menu, quindi selezionare una delle seguenti informazioni e premere il tasto ENTER per visualizzarla.
  - **Fixture Time** - Attraverso la funzione **Fixture Time** è possibile visualizzare sul display il codice del modello e il nome del produttore.

- **Temperature** - Attraverso la funzione **Temperature** è possibile visualizzare sul display la temperatura presente all'interno della testa mobile, dove è situata la lampada. La temperatura può essere visualizzata in gradi Celsius o Fahrenheit (vedi pagina 31).
- **Version** - Attraverso la funzione **Version** è possibile visualizzare sul display la versione del software installata.
- Premere il tasto LEFT più volte per uscire dal menu.

### 3.11 OPERAZIONI IN MODALITÀ AUTOMATICA

L'unità può svolgere il suo programma Show autonomamente. Prima di inviare un programma automatico in esecuzione è necessario impostare l'unità come Master/Alone:

- Premere il tasto ENTER per accedere al menu principale.
- Premere il tasto UP/DOWN per scorrere nel menu, selezionare l'icona **Stand Alone**, quindi premere il tasto ENTER per accedere al menu successivo :

**Master/Slave** muoversi con il tasto UP/DOWN, quindi confermare la scelta con il tasto ENTER.

- **Master**, se l'unità è collegata in serie ad altre unità ed essa svolge la funzione di Master;
- **Slave**, se l'unità non è collegata ad altre unità.
- Premere il tasto ENTER per confermare la scelta.

**Sequence** muoversi con il tasto UP/DOWN, quindi confermare la scelta con il tasto ENTER.

- Premere il tasto UP/DOWN per selezionare la modalità di funzionamento: **Show 1, Show 2, Show 3, Show 4**
  - Premere il tasto ENTER per confermare la scelta.
  - Premere il tasto LEFT più volte per uscire dal menu e per salvare le modifiche apportate.
- L'unità entrerà in modalità automatica mandando in esecuzione il programma automatico.

## - 4 - MANUTENZIONE

### 4.1 MANUTENZIONE E PULIZIA DEL SISTEMA OTTICO

- Durante gli interventi, assicurarsi che l'area sotto il luogo di installazione sia libera da personale non qualificato.
- Spegnerne l'unità, scollegare il cavo di alimentazione ed aspettare finché l'unità non si sia raffreddata.
- Tutte le viti utilizzate per l'installazione dell'unità e le sue parti devono essere assicurate saldamente e non devono essere corrose.
- Alloggiamenti, elementi di fissaggio e di installazione (soffitto, truss, sospensioni) devono essere totalmente esenti da qualsiasi deformazione.
- I cavi di alimentazione devono essere in condizione impeccabile e devono essere sostituiti immediatamente nel momento in cui anche un piccolo problema viene rilevato.
- Si dovrebbe procedere, ad intervalli regolari, alla pulizia della parte frontale per asportare polvere, fumo e altre particelle. Solo così, la luce può essere irradiata con la luminosità massima. Per la pulizia usare un panno morbido, pulito e un detergente per vetri come si trovano in commercio. Quindi asciugare le parti delicatamente.

### 4.2 RISOLUZIONE DEI PROBLEMI

Anomalie	Possibili cause	Controlli e rimedi
Il proiettore non illumina	<ul style="list-style-type: none"> <li>• Mancanza di alimentazione di rete</li> <li>• Dimmer impostato a 0</li> <li>• LED difettoso/i</li> </ul>	<ul style="list-style-type: none"> <li>• Verificare la presenza della tensione alimentazione</li> <li>• Incrementare i valori del canale dimmer</li> <li>• Sostituire scheda LED</li> </ul>
Bassa intensità di luce generale	<ul style="list-style-type: none"> <li>• Lenti sporche</li> <li>• Lente disallineata</li> </ul>	<ul style="list-style-type: none"> <li>• Pulire il dispositivo regolarmente</li> <li>• Installare il gruppo ottico correttamente</li> </ul>
Il proiettore non è alimentato	<ul style="list-style-type: none"> <li>• Mancanza di alimentazione di rete</li> <li>• Cavo di alimentazione danneggiato</li> </ul>	<ul style="list-style-type: none"> <li>• Verificare la presenza della tensione alimentazione</li> <li>• Controllare il cavo di alimentazione</li> </ul>

Rivolgersi a un centro di assistenza tecnico autorizzato nel caso in cui il problema non sia riportato in tabella.

