



EclMiniProfile WDMX

Mini LED profile with WDMX control

EclMiniProfile TRWD

28W track mounted mini LED profile with W-DMX control



USER MANUAL

Thank you for choosing PROLIGHTS

Please note that every PROLIGHTS product has been designed in Italy to meet quality and performance requirements for professionals and designed and manufactured for the use and application as shown in this document.

Any other use, if not expressly indicated, could compromise the good condition/operation of the product and/or be a source of danger.

This product is meant for professional use. Therefore, commercial use of this equipment is subject to the respectively applicable national accident prevention rules and regulations.

Features, specifications and appearance are subject to change without notice. Music & Lights S.r.l. and all affiliated companies disclaim liability for any injury, damage, direct or indirect loss, consequential or economic loss or any other loss occasioned by the use of, inability to use or reliance on the information contained in this document.

Product user manual can be downloaded from the website www.prolights.it, or can be inquired to the official PROLIGHTS distributors of your territory (https://www.prolights.it/sales_network.html).

Scanning the below **QR Code**, you will access the download area of the product page, where you can find a broad set of always updated technical documentation: specifications, user manual, technical drawings, photometrics, personalities, fixture firmware updates.



MINIECLWD



MINIECLTRWD

Visit the download area
of the product page



The PROLIGHTS Logo, PROLIGHTS names and all other trademark in this document pertaining to PROLIGHTS services or PROLIGHTS product are trademarks OWNED or licensed by Music & Lights S.r.l., its affiliates, and subsidiaries. PROLIGHTS is a registered trademark by Music & Lights S.r.l. All right reserved. Music & Lights – Via A. Olivetti, snc - 04026 - Minturno (LT) ITALY.

INDEX

SAFETY INFORMATION	02
1 - PACKAGING	05
PACKAGE CONTENT	05
OPTIONAL ACCESSORIES	05
2 - TECHNICAL DRAWING	05
3 - INSTALLATION	06
MOUNTING	06
4 - CONNECTION TO THE MAINS SUPPLY	07
5 - START UP	07
CONNECT AND DISCONNECT POWER FROM THE PRODUCT	07
6 - PRODUCT OVERVIEW	08
7 - DMX CONNECTION	09
DMX ADDRESSING	09
8 - CONTROL PANEL	10
DISPLAY AND BUTTONS LAYOUT	10
9 - MENU STRUCTURE	11
10 - DMX CHARTS	12
11 - GOBO INSERTION	13
OPTIC (CODES MINIECLL19/26/36/50, MINIECLTRL19/26/36/50 - OPTIONAL)	13
12 - ACCESSORIES INSTALLATION	14
OPTIC (CODES MINIECLL19/26/36/50, MINIECLTRL19/26/36/50 - OPTIONAL)	14
13 - MAINTENANCE	15
MAINTENANCE AND CLEANING THE PRODUCT	15
VISUAL CHECK OF PRODUCT HOUSING	15
TROUBLESHOOTING	16

SAFETY INFORMATION



WARNING!

- Please read carefully the instruction reported in this section before installing, powering, operating or servicing the product and observe the indications also for its future handling.



This unit is not for household use, only professional applications.



Connection to mains supply

- The Connection to the mains supply must be carried out by a qualified electrical installer.
- Use only AC supplies 100-240V 50-60 Hz, the fixture must be electrically connected to ground (earth).
- Select the cable cross section in according with the maximum current draw of the product and the possible number of products connected at the same power line.
- The AC mains power distribution circuit must be equipped with magnetic+residual current circuit breaker protection.
- Do not connect it to a dimmer system; doing so may damage the product.



Protection and Warning against electrical shock

- Do not remove any cover from the product, always disconnect the product from AC power before servicing.
- Ensure that the fixture is electrically connected to ground (earth). And use only a source of AC power that complies with local building and electrical codes and has both overload and ground-fault (earth-fault) protection.
- Before using the fixture, check that all power distribution equipment and cables are in perfect condition and rated for the current requirements of all connected devices.
- Isolate the fixture from power immediately if the power plug or any seal, cover, cable, or other components are damaged, defective, deformed or showing signs of overheating.
- Do not reapply power until repairs have been completed.
- Refer any service operation not described in this manual to PROLIGHTS Service team or an authorized PROLIGHTS service center.



Installation

- Make sure that all visible parts of the product are in good visible condition before its use or installation.
- Make sure the point of anchorage is stable before positioning the projector.
- When suspending the fixture above ground level, secure it against failure of primary attachments by attaching a safety cable that is approved as a safety attachment for the weight of the fixture to the attachment point on the main frame of the product. In case the safety cable, enter in action, it needs to be replaced with a new one.
- Install the product only in well ventilated places.
- For non temporary installations, ensure that the fixture is securely fastened to a load-bearing surface with suitable corrosionresistant hardware.
- For a temporary installation with clamps, ensure that the quarter-turn fastener and/or screws are turned fully, and secured with a suitable safety cable.



Minimum distance of illuminated objects

- The projector needs to be positioned so that the objects hit by the beam of light are at least 0.5 meters (1.64 ft) from the lens of the projector.

T_a45°C

Max operating ambient temperature (T_a)

- Do not operate the fixture if the ambient temperature (T_a) exceeds 45 °C (113 °F).

T_a-10°C

Minimum operating ambient temperature (T_a)

- Do not operate the fixture if the ambient temperature (T_a) is below -10 °C (14 °F).



Protection from burns and fire

- The exterior of the fixture becomes hot during use. Avoid contact by persons and materials.
- Ensure that there is free and unobstructed airflow around the fixture.
- Keep flammable materials well away from the fixture
- Do not expose the front glass to sunlight or any other strong light source from any angle. Lenses can focus the sun's rays inside the fixture, creating a potential fire hazard.
- Do not attempt to bypass thermostatic switches or fuses.



Indoor use

- This product is designed for indoor and dry environments.
- Do not use in wet location and do not expose the fixture to rain or moisture.
- Never use the fixture in places subject to vibrations or bumps.
- Make certain that no inflammable liquids, water or metal objects enter the fixture.
- Excessive dust, smoke fluid, and particle build up degrades performance, causes overheating and will damage the fixture.
- Damages caused by inadequate cleaning or maintenance are not covered by the product warranty.

T_c70°C

Temperature of the external surface

- The surface of the fixture can reach up to 70 °C (158 °F) during operation. Avoid contact with people and materials.



Maintenance

- Warning! Disconnect the fixture from AC mains power and allow to cool for at least 10 minutes before handling.
- Only technicians who are authorized by PROLIGHTS or Authorised service partners are permitted to open the fixture.
- Users may carry out external cleaning, following the warnings and instructions provided, but any service operation not described in this manual must be referred to a qualified service technician.
- Important! Excessive dust, smoke fluid, and particle build up degrades performance, causes overheating and will damage the fixture. Damages caused by inadequate cleaning or maintenance is not covered by the product warranty.



Photobiological safety

- This device emits potentially dangerous optical radiation and is identified in the category of Risk Group 1 according to EN 62471.



Do not stare at the operating light source

- Do not look directly at the LED source during operation. It can be harmful to the eyes and skin.
- During Installation, operation and maintenance, be prepared for the fixture to light and move suddenly when connected to power.



Disposal

- This product is supplied in compliance with European Directive 2012/19/EU – Waste Electrical and Electronic Equipment
- (WEEE). To preserve the environment please dispose/ recycle this product at the end of its life according to the local regulation.



The products to which this manual refers comply with:

- 2014/35/EU - Safety of electrical equipment supplied at low voltage (LVD).
- 2014/30/EU - Electromagnetic Compatibility (EMC).
- 2011/65/EU - Restriction of the use of certain hazardous substances (RoHS).
- 2014/53/EU - Radio Equipment Directive (RED).

1 - PACKAGING

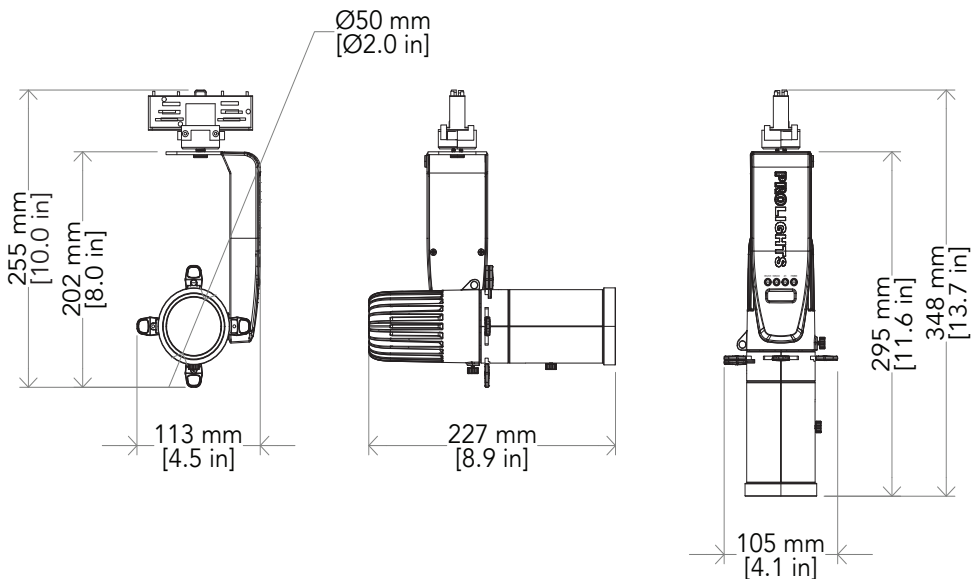
PACKAGE CONTENT

- 1x MINIECLWDTU / DY or MINIECLTRWDTU / DY;
- User Manual.

OPTIONAL ACCESSORIES

- WSBBR512G6: blackBox R-512 G6 receiver 512Ch, 2.45GHz, DMX&RDM, Bluetooth, G3, G4, G4S, G5, CRMX;
- WSBBR512G5: blackBox R-512 G5 receiver 512Ch, 2.45GHz & 5.8GHz, DMX/RDM optional;
- WSBBF1G6: blackBox F-1 G6 transrec, 512ch, 2.45GHz, DMX&RDM, Bluetooth, G3, G4, G4S, G5, CRMX;
- WSBBF1G5: blackBox F-1 G5 transmitter, 2,45GHz & 5.2/5,8 GHz, DMX/RDM, 512Ch;
- RSR0630A/B: steel security cable for hanging bodies, inox steel shackle, L=60 cm, silver/black;
- C6002: slim aluminium clamp, 200 kg loading, 48-51 mm tubes, M10 bolt;
- MINIECLL19 (for MINIECLWD): optics for MINIECL profiler, gobo holder included, 19° beam;
- MINIECLL26 (for MINIECLWD): optics for MINIECL profiler, gobo holder included, 26° beam;
- MINIECLL36 (for MINIECLWD): optics for MINIECL profiler, gobo holder included, 36° beam;
- MINIECLL50 (for MINIECLWD): optics for MINIECL profiler, gobo holder included, 50° beam;
- MINIECLTRL19 (for MINIECLTRWD): optics for MINIECLTR profiler, gobo holder included, 19° beam;
- MINIECLTRL26 (for MINIECLTRWD): optics for MINIECLTR profiler, gobo holder included, 26° beam;
- MINIECLTRL36 (for MINIECLTRWD): optics for MINIECLTR profiler, gobo holder included, 36° beam;
- MINIECLTRL50 (for MINIECLTRWD): optics for MINIECLTR profiler, gobo holder included, 50° beam;
- TRACKADA: track adaptor (EUTRAC, STAFF, GLOBAL, IVELA, Eurostandard Plus compatible) ;
- WDBBOX: WDMX battery transmitter, mini 5p DMX and WIFI IN, 2.4 GHz, 0.4 kg.

2 - TECHNICAL DRAWING



Weight: 1 kg - 2.20 lbs

Fig. 01

3 - INSTALLATION

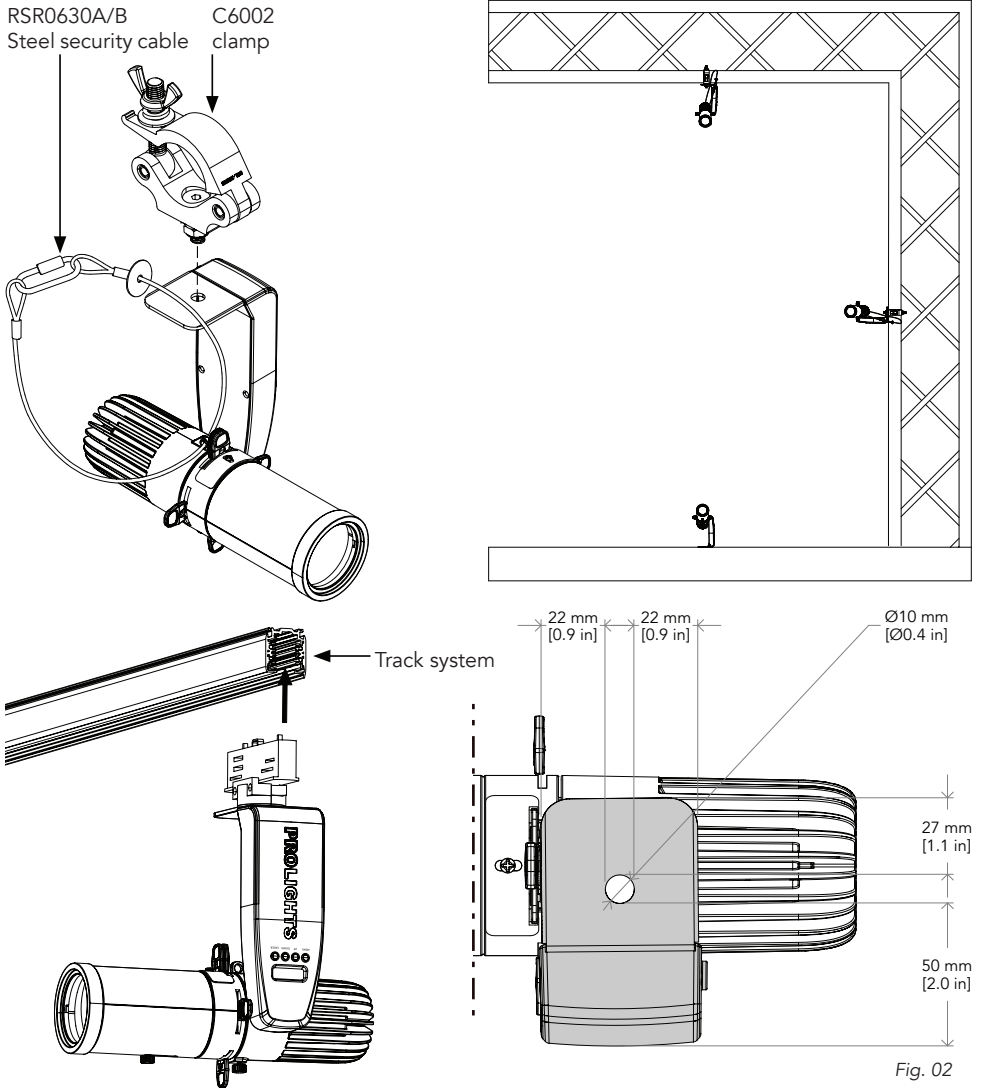
MOUNTING

Check that the supporting structure can safely bear the weight of all installed fixtures, clamps, cables, auxiliary equipment, etc. and complies with locally applicable regulations.

When suspending the fixture above ground level, secure it against failure of primary attachments by attaching a safety wire that is approved as a safety attachment for the weight of the fixture to an anchor point on the product main frame.

Do not use removable parts or weak anchors for secondary attachment.

Warning! When clamping the fixture to a truss or other structure at any angle, use clamps of half-coupler type. Do not use any type of clamp that does not completely encircle the structure when fastened.



4 - CONNECTION TO THE MAINS SUPPLY


WARNING: For protection from electric shock, the fixture must be earthed!

The product is equipped with auto-switching power supply that automatically adjusts to any 50-60Hz AC power source from 100-240 Volts.

If you need to install a power plug on the power cable to allow connection to power outlets, install a grounding-type (earthed) plug, following the plug manufacturer's instructions. If you have any doubts about proper installation, consult a qualified electrician.

The max power consumption is 22W.

Included track adapter is compatible with EUTRAC, STAFF, GLOBAL, IVELA, Eurostandard Plus standards.

Core (EU)	Core (US)	Connection	Plug terminal marking
Brown	Black	Live	L
Blue	White	Neutral	N
Yellow+green	Green	Earth	

5 - START UP

CONNECT AND DISCONNECT POWER FROM THE PRODUCT

To apply and disconnect power to the product:

- Check that the product is installed and secured as indicated in the Safety Informations, and that personal safety will not be put at risk when the fixture lights up.
- Connect the power connector into the Mains input socket (100-240 VAC-50/60 Hz).
- The product is then ready for its operations and can be controlled through the available input signals on board.
- To disconnect power from the product, disconnect the Mains from the socket.

6 - PRODUCT OVERVIEW

1. TRACK ADAPTER (included with MINIECLTRWD; EUTRAC, STAFF, GLOBAL, IVELA, Eurostandard Plus compatible);
2. SCREW to regulate housing gobos;
3. BLADES for FRAMING SYSTEM;
4. SAFETY EYE to attach safety cable;
5. GOBO HOUSING;
6. FOCUS AND ZOOM KNOB;
7. USER INTERFACE with and buttons display for access to the control panel functions.

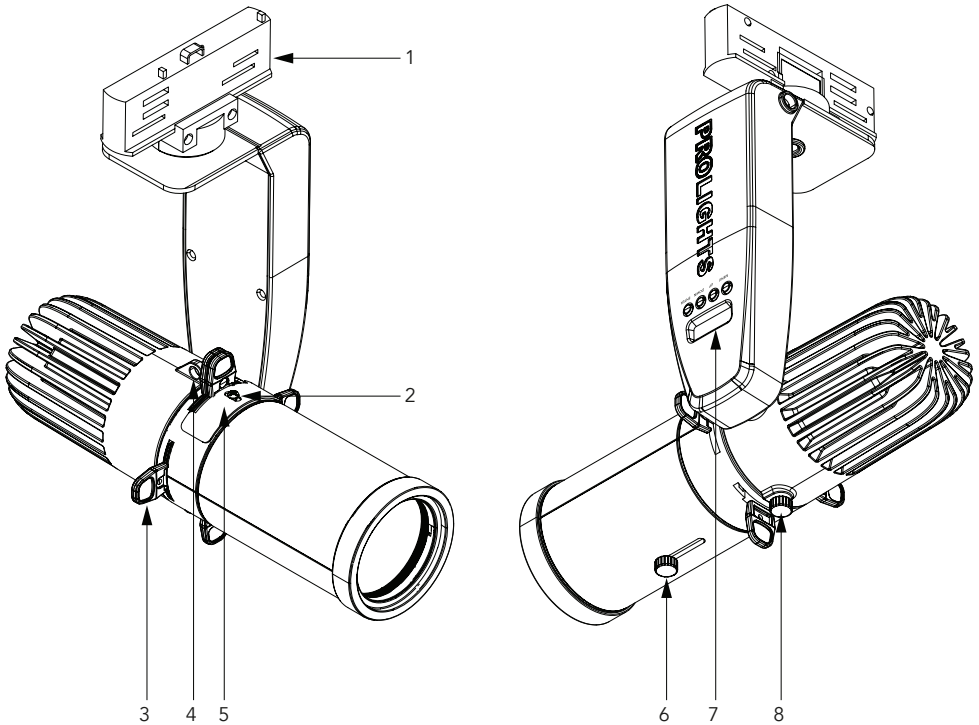


Fig. 03

7 - DMX CONNECTION

DMX ADDRESSING

In order to start controlling the product via WDMX, the first step is to select a DMX address, also known as the start channel, this is the first channel used to receive instructions from a DMX controller. If you wish to control the product individually, it is necessary to assign a different starting address channel to each fixture.

The number of channels occupied from the product depends on the DMX mode selected, so always verify the DMX Mode in the MENU before start addressing.

If you assign two fixtures the same address, they will be executing the same behaviour. Selecting the same address to multiple fixtures can be useful for diagnostic purposes and symmetrical control.

DMX addressing is limited to make it impossible to set the DMX address so high that you are left without enough control channels for the product.

To set the fixture's DMX address:

1. Press MENU to open the main menu.
2. Reach the addressing menu, then select the DMX ADDRESS settings.
3. Select the address from 1 to 512 using the navigation arrows/buttons and confirm by pressing ENTER.
4. Press Menu to exit and return to the Home screen.

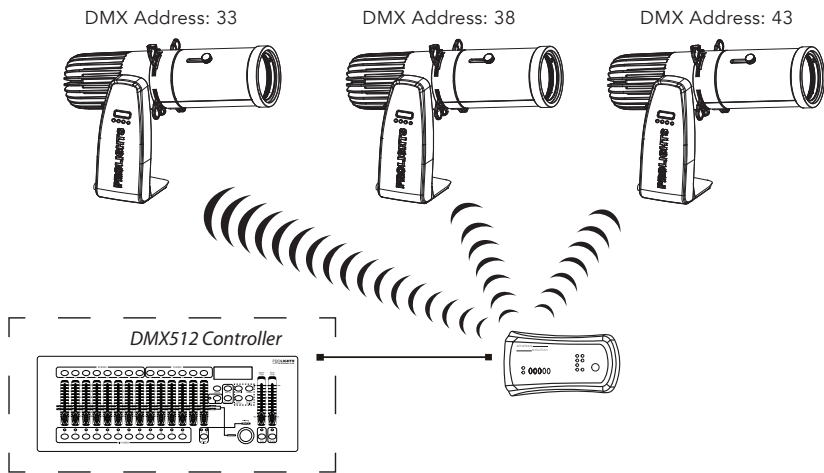


Fig. 04- Example 5 DMX channels configuration

OPERATION AS A WIRELESS RECEIVER

EclMiniProfile can be used as wireless receiver connected to a wireless transmitter.

To use EclMiniProfile as wireless receiver, please follow the procedure below:

1. Push ENTER button until you show WIRELESS SETTING on display, then press ENTER button to confirm.
2. Use UP/DOWN buttons for select RECEIVE SETTING, then press ENTER to confirm.
3. Push ENTER button on ON function to enable it.
4. To reset the unit and link to transmitter press the MENU button until the display shows Wireless Reset, then press the ENTER button.
5. Use the UP/DOWN button until the display shows Yes, and then press the ENTER button.
6. Press the MENU button to go back.

8 - CONTROL PANEL

The product has a display and buttons for access to the control panel functions.

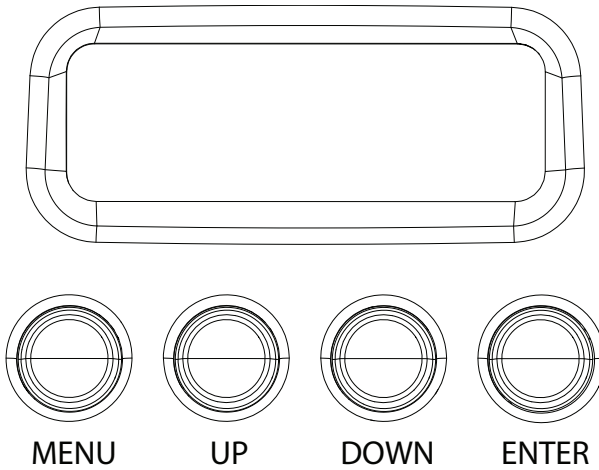


Fig. 05

DISPLAY AND BUTTONS LAYOUT

The product has a display and buttons for access to the control panel functions:

- MENU: used to access the menu tree or to return a previous menu window;
- UP: browse upwards through the menu list and increases the numeric value displayed;
- DOWN: browse downwards through the menu list and decreases the numeric value displayed;
- ENTER: used to confirm the current menu or confirm the current function value or option within a menu.

9 - MENU STRUCTURE

The following chart describes the MENU tree of the product, the terms shown in **BOLD** indicates the default settings.

	MENU			
1	Auto Show	Auto Show	Speed	
		<Auto 1>	<100>	
		<Auto 2>	<100>	
		<Auto 3>	<100>	
		<Auto 4>	<100>	
2	Static	<Dimmer>	<255>	
		<Strobe>	<0>	
3	Dimmer Mode	<On>		<i>To choose the dimmer curve.</i>
		<Dimmer 1>		
		<Dimmer 2>		
		<Dimmer 3>		
4	Back Light	<On>		<i>Allows you to select the timing after that display will switch automatically off when unactive.</i>
		<10S>		
		<20S>		
		<30S>		
5	Information	Fixture Hours	<9999H>	<i>To view information about the unit.</i>
		Version	<V1.0>	
6	DMX Address	<001>		
7	DMX Channel	<1Ch>		
		<2Ch>		
		<5Ch>		
8	Master/Slave	<Master>		<i>Allow you to link and operating in synk multiple units without a DMX console. Choose a unit to perform as the Master. This unit must be the first unit in line; Set the successive units to be slave.</i>
		<Slave>		
9	Wireless Setting	Receive Setting	<On>	<i>Receive Setting: used to turn on/off wireless functionality Receive Reset: used to link fixture to transmitter</i>
			<Off>	
		Receive Reset	<No>	
			<Yes>	

10 - DMX CHARTS

Channel	1 CH	2 CH	5 CH
1	DIMMER	DIMMER	DIMMER
2		STROBE	STROBE
3			AUTO PROGRAMS
4			AUTO SPEED
5			DIMMER SPEED

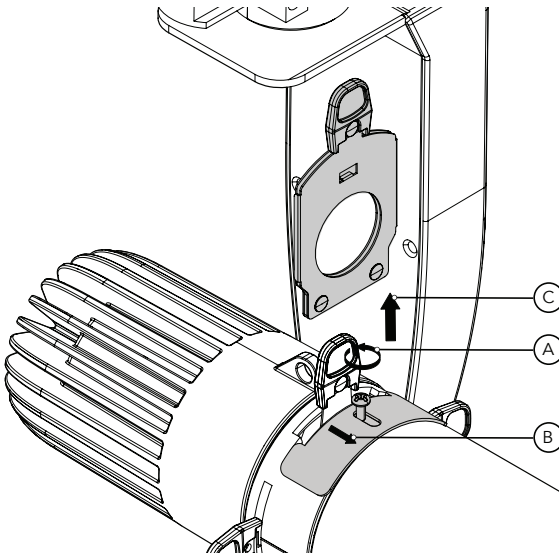
1 CH	2 CH	5 CH	Function	DMX Value	Default
1	1	1	DIMMER 0~100%	000 ÷ 255	000
	2	2	STROBE No function Strobe from slow to fast	000 ÷ 011 011 ÷ 255	255
		3	AUTO PROGRAMS Auto Program 1 Auto Program 2 Auto Program 3 Auto Program 4	000 ÷ 010 011 ÷ 070 071 ÷ 130 131 ÷ 190 191 ÷ 255	000
		4	AUTO SPEED 0~100%	000 ÷ 255	000
		5	DIMMER SPEED Present dimmer speed from display menu Dimmer speed mode off Dimmer speed mode 1 (fast speed) Dimmer speed mode 2 (middle speed) Dimmer speed mode 3 (slow speed)	000 ÷ 051 052 ÷ 101 102 ÷ 152 153 ÷ 203 204 ÷ 255	255

11 - GOBO INSERTION

OPTIC (CODES MINIECLL19/26/36/50, MINIECLTRL19/26/36/50 - OPTIONAL)

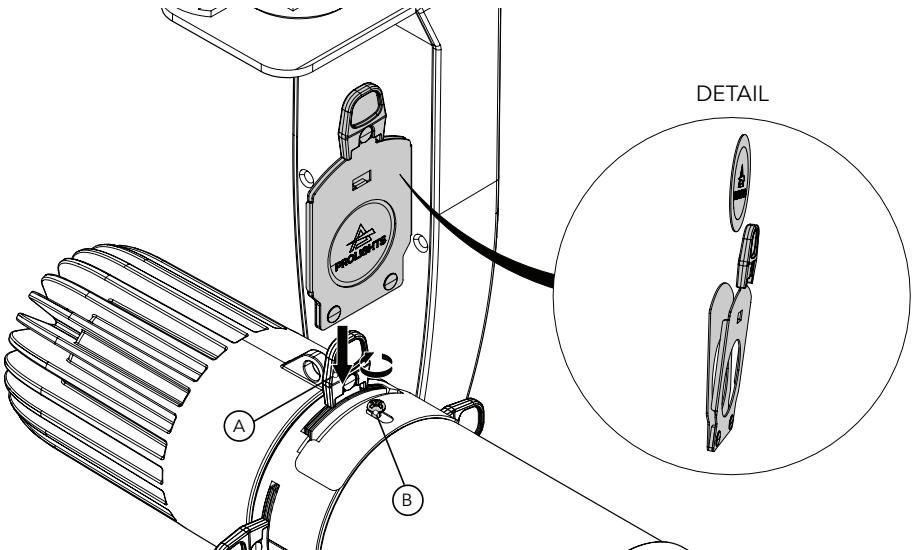
The mounting procedure is the same for all lenses.

1



Loosen the marked screw (A) and open the slot (B). Then, extract the gobo holder (C).

2



Open the gobo holder (DETAIL) and insert it back into the housing opening (A). Then tighten the screw (B).

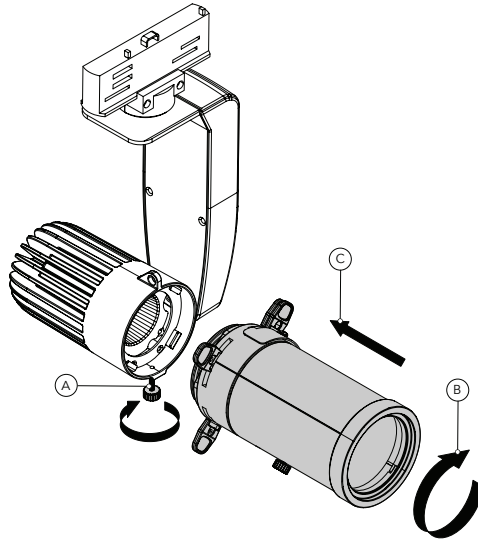
Fig.06

12 - ACCESSORIES INSTALLATION

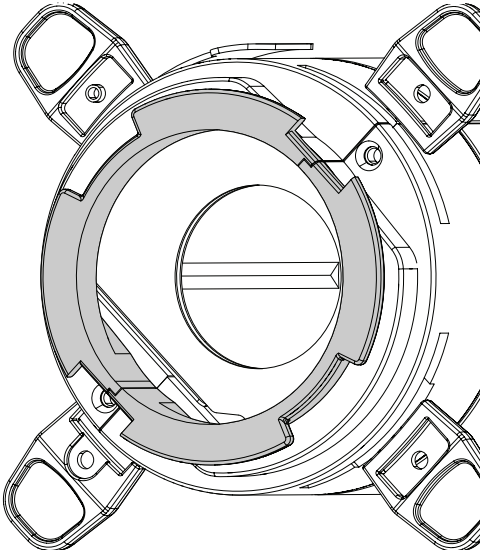
OPTIC (CODES MINIECLL19/26/36/50, MINIECLTRL19/26/36/50 - OPTIONAL)

The mounting procedure is the same for all lenses.

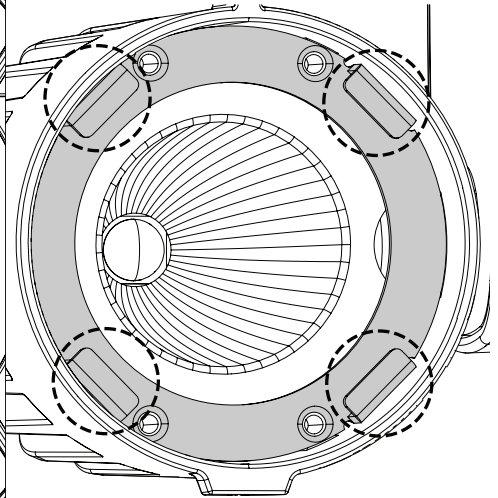
1



2



3



Loosen the marked knob (1-A) of the unit. Rotate the optic 45°(1-B) and insert it (1-C) so the marked grooves (2) of the optic coincides with the four marked flaps of the unit (3).

Fig.07

13 - MAINTENANCE

MAINTENANCE AND CLEANING THE PRODUCT

WARNING: Disconnect from the mains before starting any maintenance work

It is recommended to clean the front at regular intervals, from impurities caused by dust, smoke, or other particles to ensure that the light is radiated at maximum brightness.

- For cleaning, disconnect the main plug from the socket. Use a soft, clean cloth moistened with a mild detergent. Then carefully wipe the part dry. For cleaning other housing parts use only a soft, clean cloth. Never use a liquid, it might penetrate the unit and cause damage to it.
- The user must clean the product periodically to maintain optimum performance and cooling. The user may also upload firmware (product software) to the fixture via the DMX signal input port or USB port using firmware and instructions from PROLIGHTS.
- The frequency of such maintenance operations is to be performed according to various factors, such as the amount of the use and the condition of the installation environment (air humidity, presence of dust, salinity, etc.). It is recommended that the product is subject to annual service by a qualified technician for special maintenance involving at least the following procedures:
 - General cleaning of internal parts.
 - For all the parts subject to friction, using lubricants specifically supplied by PROLIGHTS.
 - General visual check of the internal components, cabling, mechanical parts, etc.
 - Electrical, photometric and functional checks; eventual repairs.
 - Cleaning the lenses. Only use neutral soap and water to clean the lenses, then dry it carefully with a soft, non-abrasive cloth.

WARNING: the use of alcohol or any other detergent could damage the lenses.

- All other service operations on the product must be carried out by PROLIGHTS, its approved service agents or trained and qualified personnel.
- It is PROLIGHTS policy to apply the strictest possible calibration procedures and use the best quality materials available to ensure optimum performance and the longest possible component lifetimes. However, optical components are subject to wear and tear over the life of the product, resulting in gradual changes in colours over many thousands of hours of use. The extent of wear and tear depends heavily on operating conditions and environment, so it is impossible to specify precisely whether and to what extent performance will be affected. However, you may eventually need to replace optical components if their characteristics are affected by wear and tear after an extended period of use and if you require fixtures to perform within very precise optical and colour parameters.
- Do not apply filters, lenses or other materials on lenses or other optical components. Use only accessories approved by PROLIGHTS.

VISUAL CHECK OF PRODUCT HOUSING

- The parts of the product cover/housing should be checked for eventual damages and breaking start at least every two months. In addition, especially the parts of the front lens holder have to be checked mechanically (by means of movement by the part) if it is firmly fastened to the fixture. If hint of a crack is found on some plastic part, do not use the product until the damaged part will be replaced.
- Cracks or another damages of the cover/housing parts can be caused by the product transportation or manipulation and also ageing process may influence materials.
- This checking is necessary for both fixed installations and preparing product for renting. Any free moving parts inside of the product, cracked cover/housing or any part of front lens not sitting properly in place need to be immediately replaced.

TROUBLESHOOTING

Problems	Possible causes	Checks and remedies
Product doesn't power ON	<ul style="list-style-type: none"> No power to the product. 	<ul style="list-style-type: none"> Check that power is switched ON and cables are plugged in.
Product reset correctly but does not respond correctly to the controller.	<ul style="list-style-type: none"> Bad signal connection. 	<ul style="list-style-type: none"> Inspect connections and cables. Fix eventual bad connections. Repair or replace damaged cables.
	<ul style="list-style-type: none"> Signal connection not terminated. 	<ul style="list-style-type: none"> Insert DMX termination plug in signal output socket of the last product on the signal line.
	<ul style="list-style-type: none"> Incorrect addressing of the product. 	<ul style="list-style-type: none"> Check the product address and control settings.
One of the product is defective and is corrupting the signal transmission on the signal line.	<ul style="list-style-type: none"> One of the product is defective and is corrupting the signal transmission on the signal line. 	<ul style="list-style-type: none"> Unplug the XLR in and out connectors and connect them directly together to bypass one product at a time until normal operation is regained. Once found the error, have that fixture serviced by a qualified technician.
		<ul style="list-style-type: none"> One or more hardware components requires mechanical adjustments
Timeout error after fixture reset.	<ul style="list-style-type: none"> One or more hardware components requires mechanical adjustments 	<ul style="list-style-type: none"> Check product stored error messages for more information. Contact PROLIGHTS Service or an authorized service partner.
Mechanical effect loses position	<ul style="list-style-type: none"> Mechanical hardware require cleaning, adjustment or lubrication. 	<ul style="list-style-type: none"> Check product stored error messages for more information. Contact PROLIGHTS Service or an authorized service partner.
Light output turn OFF Intermittently	<ul style="list-style-type: none"> Fixture is too hot. 	<ul style="list-style-type: none"> Check product stored error messages. Allow product to cool. Clean the product and airflow filters. Reduce ambient temperature.
	<ul style="list-style-type: none"> Hardware failure (temperature sensor, fans, Light source...). 	<ul style="list-style-type: none"> Check product stored error messages for more information. Contact PROLIGHTS Service or an authorized service partner.
General low light intensity	<ul style="list-style-type: none"> Dirty lens assembly. 	<ul style="list-style-type: none"> Clean the fixture regularly.
	<ul style="list-style-type: none"> Dirty or damaged filters. 	<ul style="list-style-type: none"> Install lens assembly properly.

Contact an authorized service center in case of technical problems or not reported in the table can not be resolved by the procedure given in the table.



PROLIGHTS is a trademark of
MUSIC & LIGHTS S.r.l.
musiclights.it

Via A.Olivetti snc
04026 - Minturno (LT) ITALY
Tel: +39 0771 72190

prolights.it
support@prolights.it