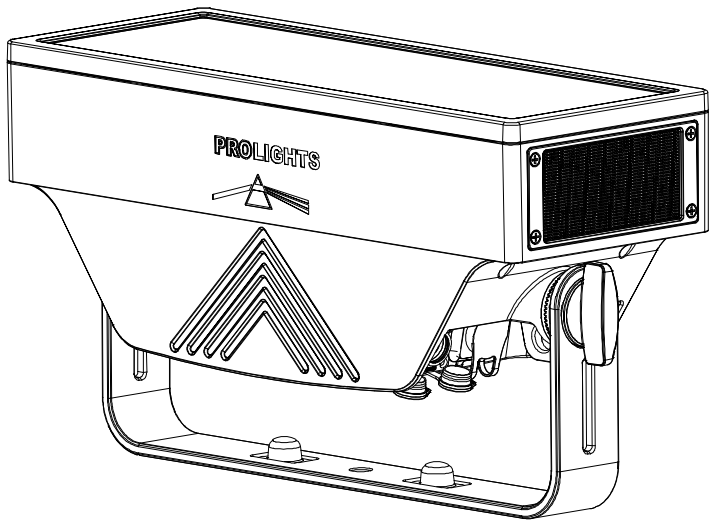


SUNBLAST3000FC

LED STROBE



MANUALE UTENTE
USER MANUAL

All rights reserved by Music & Lights S.r.l. No part of this instruction manual may be reproduced in any form or by any means for any commercial use.

In order to improve the quality of products, Music&Lights S.r.l. reserves the right to modify the characteristics stated in this instruction manual at any time and without prior notice.
All revisions and updates are available in the 'manuals' section on site www.musiclights.it

TABLE OF CONTENTS**Safety**

General instructions	2
Warnings and installation precautions	2

1 Introduction

1.1 Description	3
1.2 Technical specifications	3
1.3 Operating elements and connections	5

2 Installation

2.1 Mounting	6
--------------------	---

3 Functions and settings

3.1 Operation	7
3.2 Basic	7
3.3 Menu structure	8
3.4 Linking	10
..... DMX mode	10
..... DMX configuration	10
..... DMX addressing	11
..... Ethernet	11
3.5 DMX control	12
3.6 Pixel Layouts	32
3.7 Setup	33
..... Temperature	33
..... Screen	33
..... Fixture	34
3.8 Lamp settings	34
3.9 Fixture information	34
3.10 Operation in automatic mode	35
..... Slave Receive mode	35
..... Sequence	35
3.11 Connection of the DMX line	36
3.12 Construction of the DMX termination	36

4 Maintenance

4.1 Maintenance and cleaning the unit	37
4.2 Fuse replacement	37
4.3 Trouble shooting	38

Packing content

- SUNBLAST3000FC
- Mount bracket
- hanging bracket for floor
- User manual




WARNING! Before carrying out any operations with the unit, carefully read this instruction manual and keep it with care for future reference. It contains important information about the installation, usage and maintenance of the unit.



SAFETY

General instruction

- The products referred to in this manual conform to the European Community Directives and are therefore marked with **CE**.
- The unit is supplied with hazardous network voltage (230V~). Leave servicing to skilled personnel only. Never make any modifications on the unit not described in this instruction manual, otherwise you will risk an electric shock.
- Connection must be made to a power supply system fitted with efficient earthing (Class I appliance according to standard EN 60598-1). It is, moreover, recommended to protect the supply lines of the units from indirect contact and/or shorting to earth by using appropriately sized residual current devices.
- The connection to the main network of electric distribution must be carried out by a qualified electrical installer. Check that the main frequency and voltage correspond to those for which the unit is designed as given on the electrical data label.
- This unit is not for home use, only professional applications.
- Never use the fixture under the following conditions:
 - in places wet;
 - in places subject to vibrations or bumps;
 - in places with an ambient temperature of over 45°C.
- Make certain that no inflammable liquids, water or metal objects enter the fixture.
- Do not dismantle or modify the fixture.
- All work must always be carried out by qualified technical personnel. Contact the nearest sales point for an inspection or contact the manufacturer directly.
- If the unit is to be put out of operation definitively, take it to a local recycling  plant for a disposal which is not harmful to the environment.

Warnings and installation precautions

- If this device will be operated in any way different to the one described in this manual, it may suffer damage and the guarantee becomes void. Furthermore, any other operation may lead to dangers like short circuit, burns, electric shock, etc.
- Before starting any maintenance work or cleaning the projector, cut off power from the main supply.
- Always additionally secure the projector with the safety rope. When carrying out any work, always comply scrupulously with all the regulations (particularly regarding safety) currently in force in the country in which the fixture's being used.
- For inside use only. Not designed for outside use.
- The minimum distance between the fixture and surrounding walls must be more than 50 cm and the air vents at the housing must not be covered in any case.
- Install the fixture in a well ventilated place.
- Keep any inflammable material at a safe distance from the fixture.
- The maximum temperature that can be reached on the external surface of the fitting, in a thermally steady state, is high. After power off, please cool down over 15 minutes.
- Shields, lenses or ultraviolet screens shall be changed if they have become damaged to such an extent that their effectiveness is impaired.
- The lamp (LED) shall be changed if it has become damaged or thermally deformed.
- Never look directly at the light beam. Please note that fast changes in lighting, e. g. flashing light, may trigger epileptic seizures in photosensitive persons or persons with epilepsy.

- 1 - INTRODUCTION

1.1 DESCRIPTION

SunBLAST LED is an exceptionally powerful IP65 graphic strobe, blinder and flood. Available in White or Full Colour versions, and designed to deliver simply staggering light levels, this versatile fixture can provide an unbelievable punch over a huge area.

1.2 TECHNICAL SPECIFICATIONS

LIGHT SOURCE

- Source: 1728x1W RGBW LEDs
- CT: Full ON 6500K
- Luminous Flux: (Strobing) 180k lumens, (Full Static) 14561 lm
- Lux: (Full Stable) 654 lux @3m Full
- Lux: 235 lux @5m Full
- Source Life Expectancy: >30.000 h

OPTICS

- Beam Angle: 98°
- Field Angle: 155°
- COLOR SYSTEM
- Color Mixing: RGBW/FC

DYNAMIC EFFECTS

- Rotating Gobos: Dynamic Patterns with speed and rotation control
- Pixel Patterns: Preprogrammed dynamic and static patterns
- FX Generator: Adjustable foreground/background color, index, speed, direction
- Static Color Mode: Selection of static color
- Manual Color Mode: Manual adjustment of color
- Auto Mode: Built-in programs with execution speed adjustment

BODY

- Body: Sturdy die-cast aluminium body conceived for long-time durability
- Body Color: Black

CONTROL

- Protocols: DMX512, RDM, Art-Net, Kling-Net
- Pixel Control: 48 controllable sections
- RDM: RDM ready for fixture remote monitor and settings
- Display: TFT display
- Firmware Upgrade: Yes, via USB-DMX interface (UPBOX1) not included

ELECTRONICS

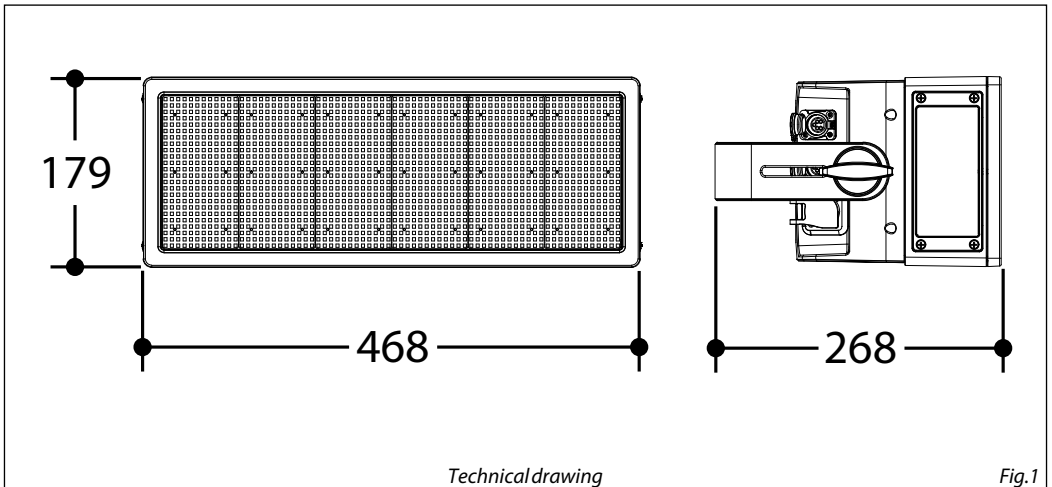
- Dimmer: Linear 0~100% electronic dimmer
- Dimmer Curves: 4 Different dimming curves available
- Strobe/Shutter: 1-30 Hz, electronic
- Operating Temperature: -10° ~ +45°

ELECTRICAL

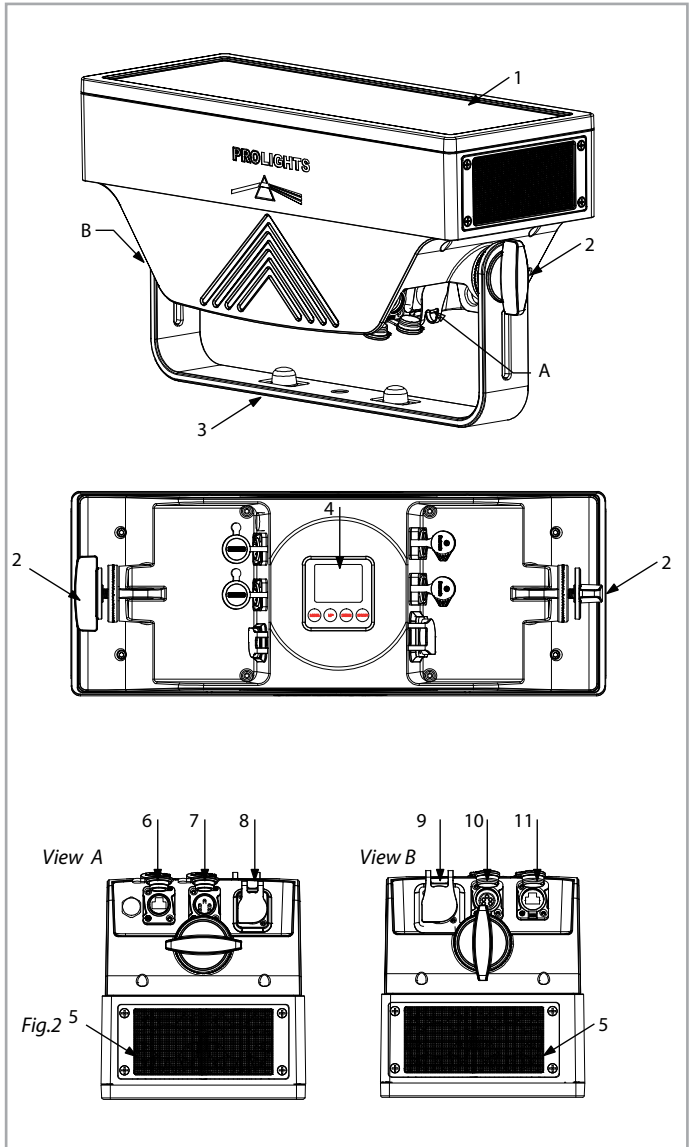
- Power Supply: 100-240V – 50/60Hz
- Power Consumption (at 230V): Strobe 1500W (peak) - Static 589W
- Power Consumption (at 120V): Strobe 1550W (peak) - Static 602W
- Output (at 230V): 2 units on a single power line
- Output (at 120V): 1 units on a single power line

PHYSICAL

- Signal Connection: 5p in/out, RJ45 in/out
- Power Connection: Seetronic Powerkon True IP65 in/out
- IP: 65 for outdoor events
- Cooling: Forced air with low noise fan
- Suspension And Fixing: Hanging bracket for floor positioning with “Quick-Lock” system
- Dimensions (WxHxD): 468x179x268mm
- Weight: 14.3kg

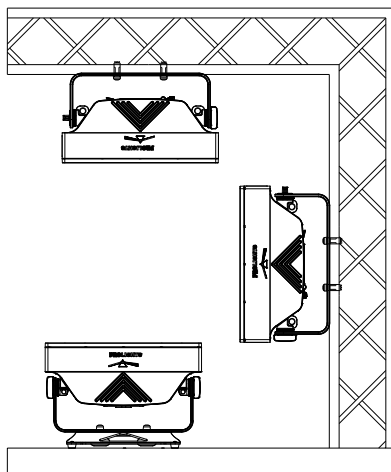


1.3 OPERATING ELEMENTS AND CONNECTIONS



1. LED BAR
2. LOCKING KNOB for the mounting bracket
3. MOUNTING BRACKET
4. CONTROL PANEL with TFT display and 4 button used to access the control panel functions and manage them.
5. AIR OPENING
6. EtherCON connector Signal IN/ OUT
7. DMX IN (5-pole XLR): 1 = ground, 2 = DMX-, 3 = DMX+, 4 N/C, 5 N/C
8. POWER IN (PowerCON IN): for connection to a socket (100-240V~/50-60Hz) via the supplied mains cable.
9. POWER OUT (PowerCON OUT): power output for connection of multiple units in series
10. DMX OUT (5-pole XLR): 1 = ground, 2 = DMX-, 3 = DMX+, 4 N/C, 5 N/C
11. EtherCON connector Signal IN/ OUT

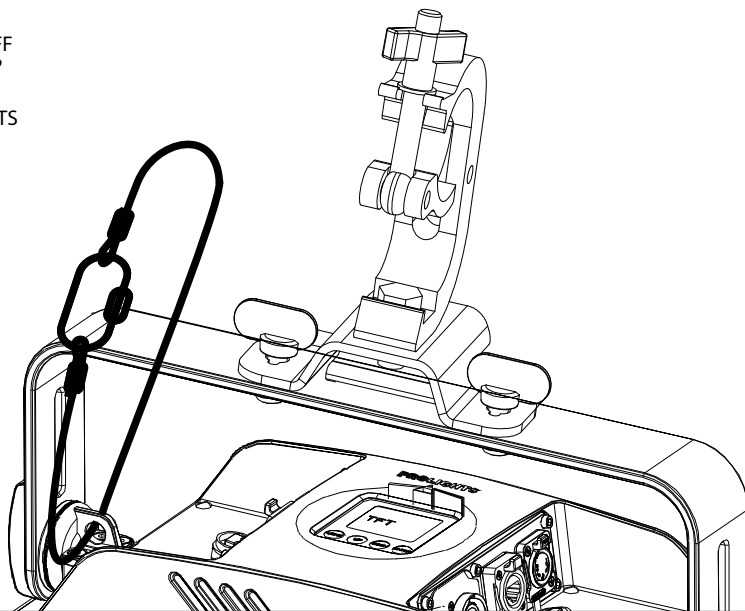
- 2 - INSTALLATION



2.1 MOUNTING

The may be set up on a solid and even surface. By means of the fixing facilities of the baseplate, the unit can also be mounted upside down to a cross arm. The base plate is shown in fig.3. For fixing, stable mounting clips are required. According to the figure, the bolts of the brackets are placed into the openings provided in the base plate and turned clockwise until they lock (to the stop). Always ensure that the unit is firmly fixed to avoid vibration and slipping while operating. The mounting place must be of sufficient stability and be able to support a weight of 10 times of the unit's weight. When carrying out any installation, always comply scrupulously with all the regulations (particularly regarding safety) currently in force in the country in which the fixture's being used. Always additionally secure the projector with the safety rope from falling down. For this purpose, fasten the safety rope at a suitable position so that the maximum fall of the projector will be 20 cm.

ALISCAFF
CLAMP
OMEGA
BRACKETS



SAFETY
CABLE

Fig.3

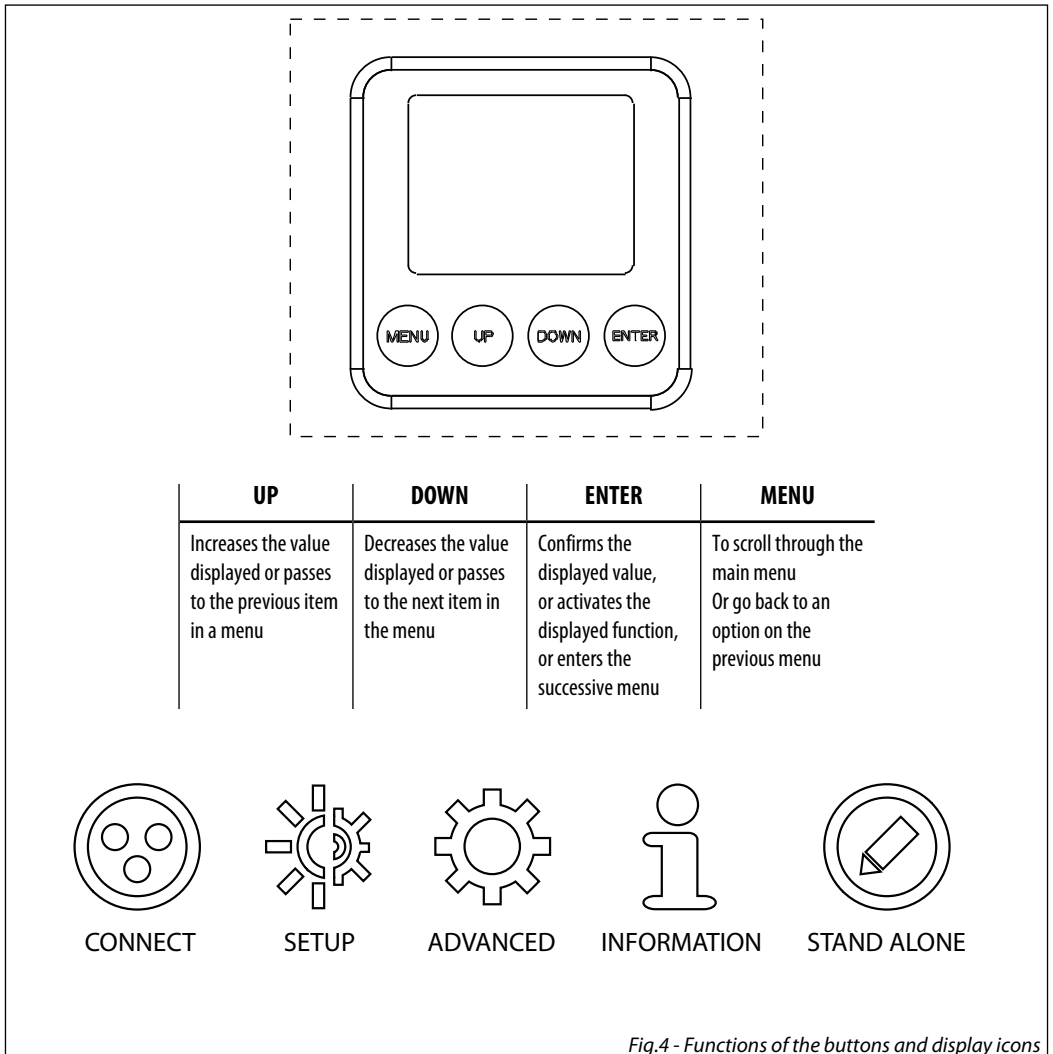
- 3 - FUNCTIONS AND SETTINGS

3.1 OPERATION

Connect the supplied main cable to a socket (100-240V~/50-60Hz). The unit will run built-in program to reset all motors to their home position. Shortly after that the SUNBLAST3000FC is ready for operation. To switch off, disconnect the mains plug from the socket. For a more convenient operation it is recommended to connect the unit to a socket which can be switched on and off via light switch.

3.2 BASIC

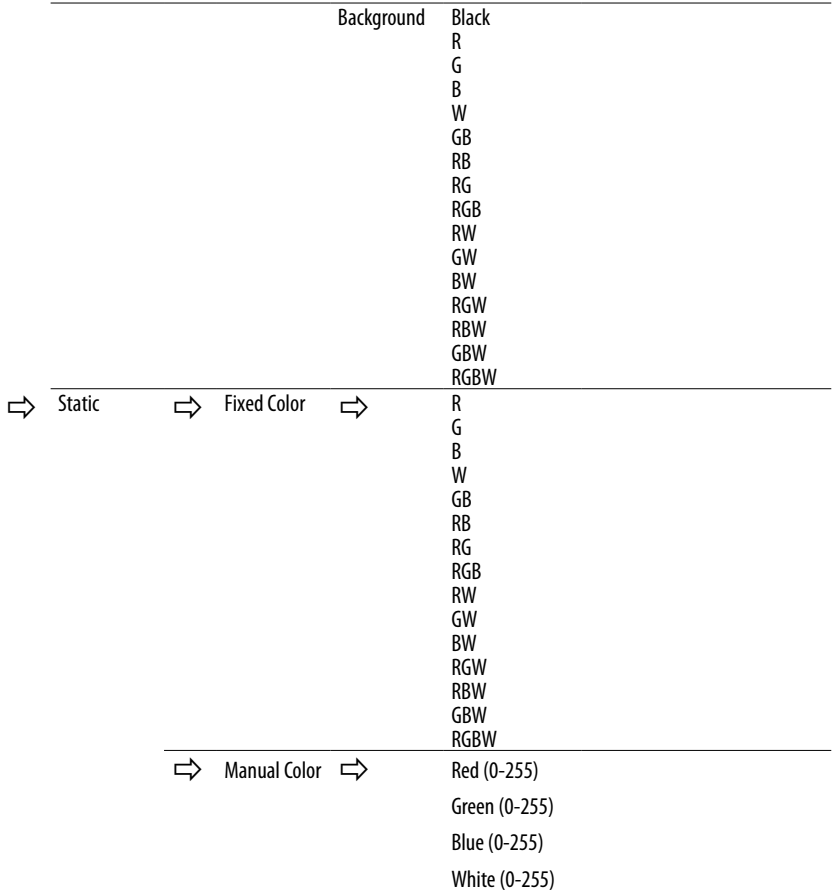
The SUNBLAST3000FC has a TFT display and 5 button used to access the control panel functions and manage them (fig.4).



3.3 MENU STRUCTURE

MENU	
1	<p>CONNECT</p> <hr/> <p>⇒ DMX Address ⇒ Value (1-512)</p> <hr/> <p>DMX Mode ⇒ BASIC ⇒ Static Strobe ⇒ Red (0-255) Green (0-255) Blue (0-255) White (0-255)</p> <p>Pixels RGBW Strobe</p> <hr/> <p>⇒ BASIC16 ⇒ Static16 Strobe16 ⇒ Red (0-255) Green (0-255) Blue (0-255) White (0-255)</p> <p>Pixels16 RGBW Strobe</p> <hr/> <p>⇒ PIXELS ⇒ 1 PX 2 PX 3 PX 12 PX 48 PX</p> <hr/> <p>⇒ ADVANCED ⇒ Advanced 1 Advanced 2 Advanced 3 Advanced 4</p> <hr/> <p>⇒ EXPERT ⇒ K1PX K2PX K3PX K12PX K48PX KADVANCED 2 KADVANCED 4</p> <hr/> <p>Ethernet ⇒ Protocol ⇒ Kling-Net Only Art-Net Art-Net+DMX (PIXELS 1/2/4/8/16/64PX, ADVANCE 2/4) Art-Net+DMX (EXPERT)</p> <p>Subnet ⇒ (0-15)</p> <p>Universe ⇒ (0-15)</p> <p>Start Channel ⇒ Value (1-512)</p> <p>IP Adress ⇒ 2/10.***.***.***</p> <p>Ethernet to DMX ⇒ YES/NO</p> <hr/> <p>RDM ID ⇒ 15D0020D****</p>

2	SET UP	⇒ Temperature	⇒ C° / F°		
		Screen	⇒ Backlight	⇒ Always On,10S,20S,30S	
			Flip Display	⇒ YES/NO	
			Key Lock	⇒ YES/NO	
		Fixture	⇒ White Balance	⇒ Off	
				Red (125-255)	
				Green (125-255)	
				Blue (125-255)	
				White (125-255)	
			Dimmer Mode	⇒ Off/Dimmer 1/Dimmer 2/Dimmer 3	
			Fan Mode	⇒ AUTO/HIGH	
3	ADVANCED	⇒ Factory Reload	⇒ YES/NO		
		Mapping Rotation	⇒ YES/NO		
4	INFORMATION	⇒ Fixture Time			
		Temperature			
		Fans Speed			
		Software Ver.			
5	STAND ALONE	⇒ Master/Slave	⇒ Master		
			⇒ Slave		
		⇒ Sequence	⇒ Show 1	⇒ Speed	1-100
			Show 2	⇒ Foreground	Black
			Show 3		R
				G
				B
			Show 16		W
			Show 17		GB
			Show 18		RB
			Show 19		RG
			Show 20		RGB
			Show 21		RW
			Show 22		GW
			Show 23		BW
					RGW
					RBW
					GBW
					RGBW



3.4 LINKING

Several units may be interconnected in order to control all further slave units to the same effect of the master unit.

1. Connect the DMX OUT of the master unit via 3/5-pole XLR cable to the DMX IN of the first slave unit.
2. Connect the DMX OUT of the first slave unit to the DMX IN of the second slave unit, etc. until all units are connected in a chain.

DMX MODE

To enter the DMX mode, follow these steps:

- Press the ENTER button to access the main menu.
- Press the UP/DOWN button to scroll the menu, select the **Connect** icon, then press the ENTER button to enter the next menu.
- Press the UP/DOWN button to scroll through the menu, select the **DMX Address** and press the ENTER key.
- Press the arrow keys to select the desired value (**001-512**).
- Press the ENTER key to confirm the setting.
- Press the LEFT button repeatedly to exit the menu and save changes.

DMX CONFIGURATION

The SUNBLAST3000FC has 5 DMX channel configurations which can be accessed from the control panel.

- Press the ENTER button to access the main menu.
- Press the UP/DOWN button to scroll the menu, select the **Set** icon, then press the ENTER button to enter the next menu.
- Press the UP/DOWN button to scroll through the menu, select **Users** and press the ENTER button to enter the next menu.
- Press the UP/DOWN button to scroll through the menu, select **User Mode** and press ENTER to confirm your choice.
- Use the UP/DOWN button to select the desired DMX channel configuration (**Basic, Pixels, Advanced**), then press the ENTER button to confirm your choice.
- Press the LEFT button repeatedly to exit the menu and save changes.

The tables on page 18 show the mode of operation and their values DMX.

The unit is equipped with 5-pole XLR connections.

DMX ADDRESSING

For operation via light control unit with DMX512 protocol, is sufficient connect the controller to SUNBLAST3000FC. To able to operate the SUNBLAST3000FC with a light controller, adjust the DMX start address for the first a DMX channel. If e. g. address 33 on the controller is provided for controlling the function of the first DMX channel, adjust the start address 33 on the SUNBLAST3000FC. The other functions of the light effect panel are then automatically assigned to the following addresses.

An example with the start address 33 is shown below:

ETHERNET

To enable Artnet mode, proceed as follows:

- Press the ENTER button to access the main menu.
- Press the UP/DOWN button to scroll the menu, select the **Connect** icon, then press the ENTER button to enter the next menu **Ethernet**.
- Press the UP/DOWN button to scroll through the menu, select **Protocol, Universe, Start Channel, IP Address, Ethernet to DMX** and press ENTER to activate the mode.

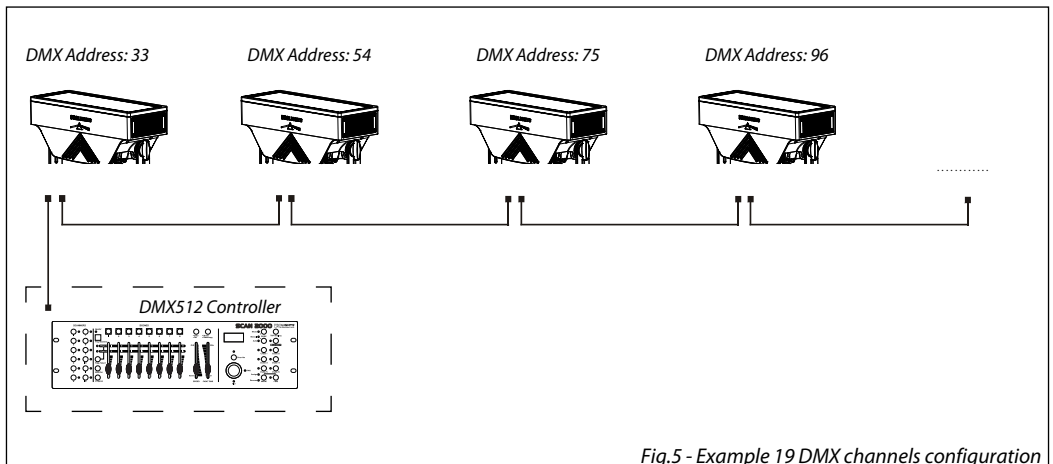


Fig.5 - Example 19 DMX channels configuration

3.5 DMX CONTROL

BASIC STATIC

MODE 4 Ch	FUNCTION	DMX Value
1	RED 0~100%	000 - 255
2	GREEN 0~100%	000 - 255
3	BLUE 0~100%	000 - 255
4	WHITE 0~100%	000 - 255

BASIC PIXEL

MODE 192 Ch	FUNCTION	DMX Value
1	PIXEL 1 RED 0~100%	000 - 255
2	PIXEL 1 GREEN 0~100%	000 - 255
3	PIXEL 1 BLUE 0~100%	000 - 255
4	PIXEL 1 WHITE 0~100%	000 - 255
	
189	PIXEL 48 RED 0~100%	000 - 255
190	PIXEL 48 GREEN 0~100%	000 - 255
191	PIXEL 48 BLUE 0~100%	000 - 255
192	PIXEL 48 WHITE 0~100%	000 - 255

BASIC STROBE

MODE 4 Ch	FUNCTION	DMX Value
1	DIMMER Blackout Min to Max	000 - 005 006 - 255
2	FLASH DURATION 0-990ms	000 - 255
3	FLASH RATE No Flash Strobe slow to fast	000 - 010 011 - 255
4	FLASH FX No effect Static Ramp up Ramp down Ramp up-down Random Lighting Spikes	000 - 002 003 - 005 006 - 042 043 - 085 086 - 128 129 - 171 172 - 214 215 - 255

BASIC RGBW STROBE

MODE 8 Ch	FUNCTION	DMX Value
1	RED 0~100%	000 - 255
2	GREEN 0~100%	000 - 255
3	BLUE 0~100%	000 - 255
4	WHITE 0~100%	000 - 255
5	DIMMER Blackout Min to Max	000 - 005 006 - 255
6	FLASH DURATION 0-990ms	000 - 255
7	FLASH RATE No Flash Strobe slow to fast	000 - 005 011 - 255
8	FLASH FX No effect Static Ramp up Ramp down Ramp up-down Random Lighting Spikes	000 - 002 003 - 005 006 - 042 043 - 085 086 - 128 129 - 171 172 - 214 215 - 255

BASIC 16 STATIC

MODE 8 Ch	FUNCTION	DMX Value
1	RED 0~100%	000 - 255
2	RED FINE 0~100%	000 - 255
3	GREEN 0~100%	000 - 255
4	GREEN FINE 0~100%	000 - 255
5	BLUE 0~100%	000 - 255
6	BLUE FINE 0~100%	000 - 255
7	WHITE 0~100%	000 - 255
8	WHITE FINE 0~100%	000 - 255

BASIC 16 STROBE

MODE 5 Ch	FUNCTION	DMX Value
1	DIMMER Blackout Min to Max	000 - 005 006 - 255
2	DIMMER FINE Dimmer fine	000 - 255
3	FLASH DURATION 0-990ms	000 - 255
4	FLASH RATE No Flash Strobe slow to fast	000 - 005 011 - 255
5	FLASH FX No effect Static Ramp up Ramp down Ramp up-down Random Lighting Spikes	000 - 002 003 - 005 006 - 042 043 - 085 086 - 128 129 - 171 172 - 214 215 - 255

BASIC16 - PIXELS 16

MODE 384 Ch	FUNCTION	DMX Value
1	PIXEL 1 RED 0~100%	000 - 255
2	PIXEL 1 RED FINE 0~100%	000 - 255
3	PIXEL 1 GREEN 0~100%	000 - 255
4	PIXEL 1 GREEN FINE 0~100%	000 - 255
5	PIXEL 1 BLUE 0~100%	000 - 255
6	PIXEL 1 BLUE FINE 0~100%	000 - 255
7	PIXEL 1 WHITE 0~100%	000 - 255
8	PIXEL 1 WHITE FINE 0~100%	000 - 255
...
377	PIXEL 48 RED 0~100%	000 - 255
378	PIXEL 48 RED FINE 0~100%	000 - 255
379	PIXEL 48 GREEN 0~100%	000 - 255
380	PIXEL 48 GREEN FINE 0~100%	000 - 255
381	PIXEL 48 BLUE 0~100%	000 - 255
382	PIXEL 48 BLUE FINE 0~100%	000 - 255
383	PIXEL 48 WHITE 0~100%	000 - 255
384	PIXEL 48 WHITE FINE 0~100%	000 - 255

BASIC16 - RGBW STROBE

MODE 13 Ch	FUNCTION	DMX Value
1	RED 0~100%	000 - 255
2	RED FINE 0~100%	000 - 255
3	GREEN 0~100%	000 - 255
4	GREEN FINE 0~100%	000 - 255
5	BLUE 0~100%	000 - 255
6	BLUE FINE 0~100%	000 - 255
7	WHITE 0~100%	000 - 255
8	WHITE FINE 0~100%	000 - 255
9	DIMMER Blackout Min to Max	000 - 005 006 - 255
10	DIMMER FINE Dimmer fine	000 - 255
11	FLASH DURATION 0-990ms	000 - 255
12	FLASH RATE No Flash Strobe slow to fast	000 - 005 011 - 255
13	FLASH FX No effect Static Ramp up Ramp down Ramp up-down Random Lighting Spikes	000 - 002 003 - 005 006 - 042 043 - 085 086 - 128 129 - 171 172 - 214 215 - 255

PIXELS - PIXELS

MODE	DMX		Artnet+DMX		FUNCTION	DMX Value
	Ch	Artnet	Artnet	DMX		
1	1	/	1		DIMMER Blackout Min to Max	000 - 005 006 - 255
	2	/	2		FLASH DURATION 0-990ms	000 - 255
	3	/	3		FLASH RATE No Flash Strobe slow to fast	000 - 010 011 - 255
	4	/	4		FLASH FX No effect Static Ramp up Ramp down Ramp up-down Random Lighting Spikes	000 - 002 003 - 005 006 - 042 043 - 085 086 - 128 129 - 171 172 - 214 215 - 255
	5	1	/		PIXEL 1 RED 0~100%	000 - 255
	6	2	/		PIXEL 1 GREEN 0~100%	000 - 255
	7	3	/		PIXEL 1 BLUE 0~100%	000 - 255
	8	4	/		PIXEL 1 WHITE 0~100%	000 - 255
2	9	5	/		PIXEL 2 RED 0~100%	000 - 255
	10	6	/		PIXEL 2 GREEN 0~100%	000 - 255
	11	7	/		PIXEL 2 BLUE 0~100%	000 - 255
	12	8	/		PIXEL 2 WHITE 0~100%	000 - 255
3	13	9	/		PIXEL 3 RED 0~100%	000 - 255
	14	10	/		PIXEL 3 GREEN 0~100%	000 - 255
	15	11	/		PIXEL 3 BLUE 0~100%	000 - 255
	16	12	/		PIXEL 3 WHITE 0~100%	000 - 255

PIXELS - PIXELS

MODE Ch	DMX		Artnet+DMX		FUNCTION	DMX Value
	Artnet	Artnet	Artnet	DMX		
12	17	13	/		PIXEL 4 RED 0~100%	000 - 255
	18	14			PIXEL 4 GREEN 0~100%	000 - 255
	19	15	/		PIXEL 4 BLUE 0~100%	000 - 255
	20	16	/		PIXEL 4 WHITE 0~100%	000 - 255

	49	45	/		PIXEL 12 RED 0~100%	000 - 255
	50	46			PIXEL 12 GREEN 0~100%	000 - 255
	51	47	/		PIXEL 12 BLUE 0~100%	000 - 255
	52	48	/		PIXEL 12 WHITE 0~100%	000 - 255
48	53	49	/		PIXEL 13 RED 0~100%	000 - 255
	54	50	/		PIXEL 13 GREEN 0~100%	000 - 255
	55	51	/		PIXEL 13 BLUE 0~100%	000 - 255
	56	52	/		PIXEL 13 WHITE 0~100%	000 - 255

	193	189	/		PIXEL 48 RED 0~100%	000 - 255
	194	190	/		PIXEL 48 GREEN 0~100%	000 - 255
	195	191	/		PIXEL 48 BLUE 0~100%	000 - 255
	196	192	/		PIXEL 48 WHITE 0~100%	000 - 255

ADVANCED - ADVANCED 1

CHANNEL	FUNCTION	DMX Value
1	FLASH DIMMER Strobe dimmer	000 - 255
2	FLASH STROBE No flash/Closed Strobe slow to fast Open Random strobe slow to fast Open	000 - 030 031 - 100 101 - 130 131 - 200 201-255
3	FLASH RED 0~100%	000 - 255
4	FLASH GREEN 0~100%	000 - 255
5	FLASH BLUE 0~100%	000 - 255
6	FLASH WHITE 0~100%	000 - 255
7	BG DIMMER Strobe dimmer	000 - 255
8	BG STROBE No flash/Closed Strobe slow to fast Open Random strobe slow to fast Open	000 - 030 031 - 100 101 - 130 131 - 200 201-255
9	BG RED 0~100%	000 - 255
10	BG GREEN 0~100%	000 - 255
11	BG BLUE 0~100%	000 - 255
12	BG WHITE 0~100%	000 - 255

ADVANCED - ADVANCED 1

CHANNEL	FUNCTION	DMX Value
13	AUTO FX No Function	000 - 010
	FX 1	011 - 015
	FX 2	016 - 020
	FX 3	021 - 025
	FX 4	026 - 030
	FX 5	031 - 035
	FX 6	036 - 040
	FX 7	041 - 045
	FX 8	046 - 050
	FX 9	051 - 055
	FX 10	056 - 060
	FX 11	061 - 065
	FX 12	066 - 070
	FX 13	071 - 075
	FX 14	076 - 080
	FX 15	081 - 085
	FX 16	086 - 090
	FX 17	091 - 095
	FX 18	096 - 100
	FX 19	101 - 105
	FX 20	106 - 110
	FX 21	111 - 115
	FX 22	116 - 120
FX 23	121 - 125	
	RESERVED (TBD)	126 - 205
	Random pixel (with density)	206 - 255
14	FX SPEED Static indexing	000 - 050
	From slow to fast	051 - 255
15	DIMMER From MENU	000 - 051
	Mode OFF	052 - 101
	Mode 1	102 - 152
	Mode 2	153 - 203
	Mode 3	204 - 255

ADVANCED - ADVANCED 2

DMX	Artnet+DMX		FUNCTION	DMX Value
	Artnet	DMX		
1	/	1	FLASH DIMMER Strobe dimmer	000 - 255
2		2	FLASH STROBE No flash/Closed Strobe slow to fast Open Random strobe slow to fast Open	000 - 030 031 - 100 101 - 130 131 - 200 201- 255
3	/	3	BG DIMMER Strobe dimmer	000 - 255
4	/	4	BG STROBE No flash/Closed Strobe slow to fast Open Random strobe slow to fast Open	000 - 030 031 - 100 101 - 130 131 - 200 201- 255
5	/	5	BG RED 0~100%	000 - 255
6	/	6	BG GREEN 0~100%	000 - 255
7	/	7	BG BLUE 0~100%	000 - 255
8	/	8	BG WHITE 0~100%	000 - 255
9	/	9	AUTO FX No Function FX 1 FX 2 FX 3 FX 4 FX 5 FX 6 FX 7 FX 8 FX 9 FX 10 FX 11 FX 12 FX 13 FX 14 FX 15 FX 16 FX 17 FX 18 FX 19 FX 20 FX 21 FX 22 FX 23 RESERVED (TBD) Random pixel (with density)	000 - 010 011 - 015 016 - 020 021 - 025 026 - 030 031 - 035 036 - 040 041 - 045 046 - 050 051 - 055 056 - 060 061 - 065 066 - 070 071 - 075 076 - 080 081 - 085 086 - 090 091 - 095 096 - 100 101 - 105 106 - 110 111 - 115 116 - 120 121 - 125 126 - 205 206 - 255

ADVANCED - ADVANCED 2

DMX Artnet	Artnet+DMX		FUNCTION	DMX Value
	Artnet	DMX		
10	/	10	FX SPEED Static indexing From slow to fast	000 - 050 051 - 255
11	/	11	DIMMER From MENU Mode OFF Mode 1 Mode 2 Mode 3	000 - 051 052 - 101 102 - 152 153 - 203 204 - 255
12	1	/	PIXEL 1 RED 0~100%	000 - 255
13	2	/	PIXEL 1 GREEN 0~100%	000 - 255
14	3	/	PIXEL 1 BLUE 0~100%	000 - 255
15	4	/	PIXEL 1WHITE 0~100%	000 - 255
...		
200	189	/	PIXEL 48 RED 0~100%	000 - 255
201	190	/	PIXEL 48 GREEN 0~100%	000 - 255
202	191	/	PIXEL 48 BLUE 0~100%	000 - 255
203	192	/	PIXEL 48 WHITE 0~100%	000 - 255

ADVANCED - ADVANCED 3

CHANNEL	BASIC FUNCTION	FUNCTION WITH L2 FX	DMX Value
1	FLASH DIMMER Strobe dimmer	LAYER2 DIMMER Strobe dimmer	000 - 255
2	FLASH STROBE No flash/Closed Strobe slow to fast Open Random strobe slow to fast Open	LAYER2 STROBE No flash/Closed Strobe slow to fast Open Random strobe slow to fast Open	000 - 030 031 - 100 101 - 130 131 - 200 201-255
3	FLASH RED 0~100%	LAYER2 RED 0~100%	000 - 255
4	FLASH GREEN 0~100%	LAYER2 GREEN 0~100%	000 - 255
5	FLASH BLUE 0~100%	LAYER2 BLUE 0~100%	000 - 255
6	FLASH WHITE 0~100%	LAYER2 WHITE 0~100%	000 - 255
7	BG DIMMER Strobe dimmer		000 - 255
8	BG STROBE No flash/Closed Strobe slow to fast Open Random strobe slow to fast Open		000 - 030 031 - 100 101 - 130 131 - 200 201-255
9	BG RED 0~100%		000 - 255
10	BG GREEN 0~100%		000 - 255
11	BG BLUE 0~100%		000 - 255
12	BG WHITE 0~100%		000 - 255

ADVANCED - ADVANCED 3

CHANNEL	FUNCTION	DMX Value
13	LAYER1 DIMMER Strobe dimmer	000 - 255
14	LAYER1 STROBE No flash/Closed Strobe slow to fast Open Random strobe slow to fast Open	000 - 030 031 - 100 101 - 130 131 - 200 201-255
15	LAYER1 RED 0~100%	000 - 255
16	LAYER1 GREEN 0~100%	000 - 255
17	LAYER1 BLUE 0~100%	000 - 255
18	LAYER1 WHITE 0~100%	000 - 255
19	LAYER1 FX No Function FX 1 FX 2 FX 3 FX 4 FX 5 FX 6 FX 7 FX 8 FX 9 FX 10 FX 11 FX 12 FX 13 FX 14 FX 15 FX 16 FX 17 FX 18 FX 19 FX 20 FX 21 FX 22 FX 23 RESERVED (TBD) Random pixel (with density)	000 - 010 011 - 015 016 - 020 021 - 025 026 - 030 031 - 035 036 - 040 041 - 045 046 - 050 051 - 055 056 - 060 061 - 065 066 - 070 071 - 075 076 - 080 081 - 085 086 - 090 091 - 095 096 - 100 101 - 105 106 - 110 111 - 115 116 - 120 121 - 125 126 - 205 206 - 255

ADVANCED - ADVANCED 3

CHANNEL	FUNCTION	DMX Value
20	LAYER1 FX SPEED Static indexing From slow to fast	000 - 050 051 - 255
21	LAYER1 FX OFFSET Continuous start selection Random distribution	000 - 200 201 - 255
22	LAYER2 FX No Function FX 1 FX 2 FX 3 FX 4 FX 5 FX 6 FX 7 FX 8 FX 9 FX 10 FX 11 FX 12 FX 13 FX 14 FX 15 FX 16 FX 17 FX 18 FX 19 FX 20 FX 21 FX 22 FX 23 RESERVED (TBD) Random pixel (with density)	000 - 010 011 - 015 016 - 020 021 - 025 026 - 030 031 - 035 036 - 040 041 - 045 046 - 050 051 - 055 056 - 060 061 - 065 066 - 070 071 - 075 076 - 080 081 - 085 086 - 090 091 - 095 096 - 100 101 - 105 106 - 110 111 - 115 116 - 120 121 - 125 126 - 205 206 - 255
23	LAYER2 FX SPEED Static indexing From slow to fast	000 - 050 051 - 255
24	LAYER2 FX OFFSET Continuous start selection Random distribution	000 - 200 201 - 255
25	EMPTY	000 - 255
26	EMPTY	000 - 255
27	DIMMER MODE From MENU Mode OFF Mode 1 Mode 2 Mode 3	000 - 051 052 - 101 102 - 152 153 - 203 204 - 255

ADVANCED - ADVANCED 4

Artnet DMX	Artnet+DMX		BASIC FUNCTION	FUNCTION WITH L2 FX	DMX Value
	Artnet	DMX			
1	/	1	FLASH DIMMER Strobe dimmer	LAYER2 DIMMER Strobe dimmer	000 - 255
2	/	2	FLASH STROBE No flash/Closed Strobe slow to fast Open Random strobe slow to fast Open	LAYER2 STROBE No flash/Closed Strobe slow to fast Open Random strobe slow to fast Open	000 - 030 031 - 100 101 - 130 131 - 200 201- 255
3	1		FLASH 1 RED 0~100%	LAYER2 1 RED 0~100%	000 - 255
4	2		FLASH 1 GREEN 0~100%	LAYER2 1 GREEN 0~100%	000 - 255
5	3		FLASH 1 BLUE 0~100%	LAYER2 1 BLUE 0~100%	000 - 255
6	4		FLASH 1 WHITE 0~100%	LAYER2 1 WHITE 0~100%	000 - 255
...	
191	189		FLASH 48 RED 0~100%	LAYER2 48 RED 0~100%	000 - 255
192	190		FLASH 48 GREEN 0~100%	LAYER2 48 GREEN 0~100%	000 - 255
193	191		FLASH 48 BLUE 0~100%	LAYER2 48 BLUE 0~100%	000 - 255
194	192		FLASH 48 WHITE 0~100%	LAYER2 48 WHITE 0~100%	000 - 255
195	/	3	BG DIMMER Strobe dimmer		000 - 255
196	/	4	BG STROBE No flash/Closed Strobe slow to fast Open Random strobe slow to fast Open		000 - 030 031 - 100 101 - 130 131 - 200 201- 255
197	/	5	BG RED 0~100%		000 - 255
198	/	6	BG GREEN 0~100%		000 - 255
199	/	7	BG BLUE 0~100%		000 - 255

ADVANCED - ADVANCED 4

Artnet DMX	Artnet+DMX		BASIC FUNCTION	FUNCTION WITH L2 FX	DMX Value
	Artnet	DMX			
200		8	BG WHITE 0~100%		000 - 255
201	/	9	LAYER1 DIMMER Strobe dimmer		000 - 255
202	/	10	LAYER1 STROBE No flash/Closed Strobe slow to fast Open Random strobe slow to fast Open		000 - 030 031 - 100 101 - 130 131 - 200 201 - 255
203	/	11	LAYER1 RED 0~100%		000 - 255
204	/	12	LAYER1 GREEN 0~100%		000 - 255
205	/	13	LAYER1 BLUE 0~100%		000 - 255
206	/	14	LAYER1 WHITE 0~100%		000 - 255
207	/	15	LAYER1 FX No Function FX 1 FX 2 FX 3 FX 4 FX 5 FX 6 FX 7 FX 8 FX 9 FX 10 FX 11 FX 12 FX 13 FX 14 FX 15 FX 16 FX 17 FX 18 FX 19 FX 20 FX 21 FX 22 FX 23 RESERVED (TBD) Random pixel (with density)		000 - 010 011 - 015 016 - 020 021 - 025 026 - 030 031 - 035 036 - 040 041 - 045 046 - 050 051 - 055 056 - 060 061 - 065 066 - 070 071 - 075 076 - 080 081 - 085 086 - 090 091 - 095 096 - 100 101 - 105 106 - 110 111 - 115 116 - 120 121 - 125 126 - 205 206 - 255

ADVANCED - ADVANCED 4

Artnet DMX	Artnet+DMX		BASIC FUNCTION	FUNCTION WITH L2 FX	DMX Value
	Artnet	DMX			
208	/	16	LAYER1 FX SPEED Static indexing From slow to fast		000 - 050 051 - 255
209	/	17	LAYER1 FX OFFSET Continuous start selection Random distribution		000 - 200 201 - 255
210	/	18	LAYER1 STROBE No flash/Closed Strobe slow to fast Open Random strobe slow to fast Open		000 - 030 031 - 100 101 - 130 131 - 200 201 - 255
203	/	11	LAYER2 FX No Function FX 1 FX 2 FX 3 FX 4 FX 5 FX 6 FX 7 FX 8 FX 9 FX 10 FX 11 FX 12 FX 13 FX 14 FX 15 FX 16 FX 17 FX 18 FX 19 FX 20 FX 21 FX 22 FX 23 RESERVED (TBD) Random pixel (with density)		000 - 010 011 - 015 016 - 020 021 - 025 026 - 030 031 - 035 036 - 040 041 - 045 046 - 050 051 - 055 056 - 060 061 - 065 066 - 070 071 - 075 076 - 080 081 - 085 086 - 090 091 - 095 096 - 100 101 - 105 106 - 110 111 - 115 116 - 120 121 - 125 126 - 205 206 - 255
211	/	19	LAYER2 FX SPEED Static indexing From slow to fast		000 - 050 051 - 255
212	/	20	LAYER2 FX OFFSET Continuous start selection Random distribution		000 - 200 201 - 255
213	/	21	EMPTY		
214	/	22	EMPTY		

ADVANCED - ADVANCED 4

Artnet DMX	Artnet+DMX		BASIC FUNCTION	FUNCTION WITH L2 FX	DMX Value
	Artnet	DMX			
215	/	23	DIMMER MODE From MENU Mode OFF Mode 1 Mode 2 Mode 3		000 - 051 052 - 101 102 - 152 153 - 203 204 - 255

EXPERT - PIXELS

MODE Ch	A/K+DMX		FUNCTION	DMX Value
	A/K	DMX		
1	/	1	DIMMER Blackout Min to Max	000 - 005 006 - 255
	/	2	FLASH DURATION 0-990ms	000 - 255
	/	3	FLASH RATE No Flash Strobe slow to fast	000 - 010 011 - 255
	/	4	FLASH FX No effect Static Ramp up Ramp down Ramp up-down Random Lighting Spikes	000 - 002 003 - 005 006 - 042 043 - 085 086 - 128 129 - 171 172 - 214 215 - 255
		5	CONTROL MODE ArtNet KlingNet	000 - 127 128 - 255
	1	/	PIXEL 1 RED 0~100%	000 - 255
	2	/	PIXEL 1 GREEN 0~100%	000 - 255
	3	/	PIXEL 1 BLUE 0~100%	000 - 255
	4	/	PIXEL 1WHITE 0~100%	000 - 255

EXPERT - PIXELS

MODE Ch	A/K+DMX		FUNCTION	DMX Value
	A/K	DMX		
2	5	/	PIXEL 2 RED 0~100%	000 - 255
	6	/	PIXEL 2 GREEN 0~100%	000 - 255
	7	/	PIXEL 2 BLUE 0~100%	000 - 255
	8	/	PIXEL 2 WHITE 0~100%	000 - 255
3	9	/	PIXEL 3 RED 0~100%	000 - 255
	10	/	PIXEL 3 GREEN 0~100%	000 - 255
	11		PIXEL 3 BLUE 0~100%	000 - 255
	12	/	PIXEL 3 WHITE 0~100%	000 - 255
12	13	/	PIXEL 4 RED 0~100%	000 - 255
	14		PIXEL 4 GREEN 0~100%	000 - 255
	15	/	PIXEL 4 BLUE 0~100%	000 - 255
	16	/	PIXEL 4 WHITE 0~100%	000 - 255

	45	/	PIXEL 12 RED 0~100%	000 - 255
	46	/	PIXEL 12 GREEN 0~100%	000 - 255
	47	/	PIXEL 12 BLUE 0~100%	000 - 255
48	/	PIXEL 12 WHITE 0~100%	000 - 255	

EXPERT - PIXELS

MODE Ch	A/K+DMX		FUNCTION	DMX Value
	A/K	DMX		
48	49	/	PIXEL 13 RED 0~100%	000 - 255
	50		PIXEL 13 GREEN 0~100%	000 - 255
	51	/	PIXEL 13 BLUE 0~100%	000 - 255
	52	/	PIXEL 13 WHITE 0~100%	000 - 255

	189	/	PIXEL 48 RED 0~100%	000 - 255
	190	/	PIXEL 48 GREEN 0~100%	000 - 255
	191	/	PIXEL 48 BLUE 0~100%	000 - 255
	192	/	PIXEL 48 WHITE 0~100%	000 - 255

EXPERT - K ADVANCED 2

	A/K+DMX		BASIC FUNCTION	DMX Value
	A/K	DMX		
/	1	FLASH DIMMER Strobe dimmer	000 - 255	
/	2	FLASH STROBE No flash/Closed Strobe slow to fast Open Random strobe slow to fast Open	000 - 030 031 - 100 101 - 130 131 - 200 201 - 255	
/	3	BG DIMMER Strobe dimmer	000 - 255	
/	4	BG STROBE No flash/Closed Strobe slow to fast Open Random strobe slow to fast Open	000 - 030 031 - 100 101 - 130 131 - 200 201 - 255	
/	5	BG RED 0~100%	000 - 255	
/	6	BG GREEN 0~100%	000 - 255	
/	7	BG BLUE 0~100%	000 - 255	
/	8	BG WHITE 0~100%	000 - 255	
/	9	LAYER2 FX No Function FX 1 FX 2 FX 3 FX 4 FX 5 FX 6 FX 7 FX 8 FX 9 FX 10 FX 11 FX 12 FX 13 FX 14 FX 15 FX 16 FX 17 FX 18 FX 19	000 - 010 011 - 015 016 - 020 021 - 025 026 - 030 031 - 035 036 - 040 041 - 045 046 - 050 051 - 055 056 - 060 061 - 065 066 - 070 071 - 075 076 - 080 081 - 085 086 - 090 091 - 095 096 - 100 101 - 105	

EXPERT - K ADVANCED 2

	A/K+DMX		BASIC FUNCTION	DMX Value
	A/K	DMX		
/	9	FX 20 FX 21 FX 22 FX 23 RESERVED (TBD) Random pixel (with density)	106 - 110 111 - 115 116 - 120 121 - 125 126 - 205 206 - 255	
/	10	FX SPEED Static indexing From slow to fast	000 - 050 051 - 255	
/	11	DIMMER MODE From MENU Mode OFF Mode 1 Mode 2 Mode 3	000 - 051 052 - 101 102 - 152 153 - 203 204 - 255	
/	12	CONTROL MODE ArtNet KlingNet	000 - 127 128 - 255	
1	/	PIXEL 1 RED 0~100%	000 - 255	
2	/	PIXEL 1 GREEN 0~100%	000 - 255	
3	/	PIXEL 1 BLUE 0~100%	000 - 255	
4	/	PIXEL 1WHITE 0~100%	000 - 255	
...		
189	/	PIXEL 48 RED 0~100%	000 - 255	
190	/	PIXEL 48 GREEN 0~100%	000 - 255	
191	/	PIXEL 48 BLUE 0~100%	000 - 255	
192	/	PIXEL 48 WHITE 0~100%	000 - 255	

EXPERT - K ADVANCED 4

	A/K+DMX		BASIC FUNCTION	FUNCTION WITH L2 FX	DMX Value
	A/K	DMX			
	/	1	FLASH DIMMER 0~100%	LAYER2 DIMMER Laver2 dimmer	000 - 255
	/	2	FLASH STROBE No flash/Closed Strobe slow to fast Open Random strobe slow to fast Open	LAYER2 STROBE No flash/Closed Strobe slow to fast Open Random strobe slow to fast Open	000 - 030 031 - 100 101 - 130 131 - 200 201- 255
	1		FLASH 1 RED 0~100%	LAYER2 1 RED 0~100%	000 - 255
	2		FLASH 1 GREEN 0~100%	LAYER2 1 GREEN 0~100%	000 - 255
	3		FLASH 1 BLUE 0~100%	LAYER2 1 BLUE 0~100%	000 - 255
	4		FLASH 1 WHITE 0~100%	LAYER2 1 WHITE 0~100%	000 - 255
...	
	189		FLASH 48 RED 0~100%	LAYER2 48 RED 0~100%	000 - 255
	190		FLASH 48 GREEN 0~100%	LAYER2 48 GREEN 0~100%	000 - 255
	191		FLASH 48 BLUE 0~100%	LAYER2 48 BLUE 0~100%	000 - 255
	192		FLASH 48 WHITE 0~100%	LAYER2 48 WHITE 0~100%	000 - 255
	/	3	BG DIMMER Strobe dimmer		000 - 255
	/	4	BG STROBE No flash/Closed Strobe slow to fast Open Random strobe slow to fast Open		000 - 030 031 - 100 101 - 130 131 - 200 201- 255
	/	5	BG RED 0~100%		000 - 255
	/	6	BG GREEN 0~100%		000 - 255
	/	7	BG BLUE 0~100%		000 - 255

EXPERT - K ADVANCED 4

	A/K+DMX		BASIC FUNCTION	FUNCTION WITH L2 FX	DMX Value
	A/K	DMX			
		8	BG WHITE 0~100%		000 - 255
	/	9	LAYER1 DIMMER Strobe dimmer		000 - 255
	/	10	LAYER1 STROBE No flash/Closed Strobe slow to fast Open Random strobe slow to fast Open		000 - 030 031 - 100 101 - 130 131 - 200 201 - 255
	/	11	LAYER1 RED 0~100%		000 - 255
	/	12	LAYER1 GREEN 0~100%		000 - 255
	/	13	LAYER1 BLUE 0~100%		000 - 255
	/	14	LAYER1 WHITE 0~100%		000 - 255
	/	15	LAYER1 FX No Function FX 1 FX 2 FX 3 FX 4 FX 5 FX 6 FX 7 FX 8 FX 9 FX 10 FX 11 FX 12 FX 13 FX 14 FX 15 FX 16 FX 17 FX 18 FX 19 FX 20 FX 21 FX 22 FX 23 RESERVED (TBD) Random pixel (with density)		000 - 010 011 - 015 016 - 020 021 - 025 026 - 030 031 - 035 036 - 040 041 - 045 046 - 050 051 - 055 056 - 060 061 - 065 066 - 070 071 - 075 076 - 080 081 - 085 086 - 090 091 - 095 096 - 100 101 - 105 106 - 110 111 - 115 116 - 120 121 - 125 126 - 205 206 - 255

EXPERT - K ADVANCED 4

A/K+DMX		BASIC FUNCTION	FUNCTION WITH L2 FX	DMX Value
A/K	DMX			
/	16	LAYER1 FX SPEED Static indexing From slow to fast		000 - 050 051 - 255
/	17	LAYER1 FX OFFSET Continuous start selection Random distribution		000 - 200 201 - 255
/	18	LAYER2 FX No Function FX 1 FX 2 FX 3 FX 4 FX 5 FX 6 FX 7 FX 8 FX 9 FX 10 FX 11 FX 12 FX 13 FX 14 FX 15 FX 16 FX 17 FX 18 FX 19 FX 20 FX 21 FX 22 FX 23 RESERVED (TBD) Random pixel (with density)		000 - 010 011 - 015 016 - 020 021 - 025 026 - 030 031 - 035 036 - 040 041 - 045 046 - 050 051 - 055 056 - 060 061 - 065 066 - 070 071 - 075 076 - 080 081 - 085 086 - 090 091 - 095 096 - 100 101 - 105 106 - 110 111 - 115 116 - 120 121 - 125 126 - 205 206 - 255
/	19	LAYER2 FX SPEED Static indexing From slow to fast		000 - 050 051 - 255
/	20	LAYER2 FX OFFSET Continuous start selection Random distribution		000 - 200 201 - 255
/	21	EMPTY		
/	22	EMPTY		
/	23	DIMMER MODE From MENU Mode OFF Mode 1 Mode 2 Mode 3		000 - 051 052 - 101 102 - 152 153 - 203 204 - 255
	24	CONTROL MODE ArtNet KlingNet		000 - 127 128 - 255

ID and RDM

With this function you can call up various submenus via RDM.

This device is RDM ready. RDM stands for "Remote Device Management" and makes remote control of devices connected to the DMX-bus possible. Manual settings like adjusting the DMX starting address are no longer needed. This is especially useful when the device is installed in a remote area. RDM is integrated in DMX without influencing the connections. The RDM-data is transmitted via the standard XLR-poles 1 and 2 – new DMX-cables are not necessary. RDM ready and conventional DMX devices can be operated in one DMX line. The RDM protocol sends own packages in the DMX512 data feed and does not influence conventional devices. If DMX splitters are used and RDM control is to be used, these splitters must support RDM. The number and type of RDM parameters depend on the RDM controller (not included) is used.

- Press the ENTER button to access the main menu.
- Press the UP/DOWN button to scroll the menu, select the **Set** icon, then press the ENTER button to enter the next menu.
- Press the UP/DOWN button to scroll through the menu, and then select the **Fixture ID** and press the ENTER button to enter the next menu.
- Press UP/DOWN button to scroll through the menu, then select **Password** and press ENTER to confirm.
- Use the arrow keys to enter the password **050** and press ENTER to confirm.
- Once you have entered your password, you can set the **PID Code**, necessary to control the unit with the RDM protocol. Press the UP/DOWN button to scroll through the menu, select PID Code and press ENTER to confirm.
- Use the arrow keys to enter the PID Code, then press the ENTER button to confirm your choice.
- Press the LEFT button repeatedly to exit the menu and save changes.

3 7 SETUP

You can change the parameters for the device by following these steps:

TEMPERATURE

You can change the parameters of the device by following these steps:

- Press the ENTER button to access the main menu.
- Press the UP/DOWN button to scroll the menu, select the **Set Up** icon, then press the ENTER button to enter the next menu.
- Press UP/DOWN to scroll through the **Temperature** menu, select one of the following settings and press the ENTER button to display it.
 - **Max Temperature** - Temperature operating limits. This function allows you to set the maximum temperature inside the projector, after which the lamp will automatically turn off. Press the arrow buttons to set the desired temperature (80° -139°). Temperatures of less than 90° C are not critical. We recommend that you enable this feature for temperatures higher than 90°.
- Press the ENTER button to confirm your choice.
- Press the LEFT button repeatedly to exit the menu and save changes.

SCREEN

You can change the following parameters related to the display, following the same procedure:

- Press the ENTER button to access the main menu.
- Press the UP / DOWN keys to scroll the menu, select the Setup icon, then press the ENTER button to enter the next menu.
- Press UP / DOWN to scroll through the menu, then select UI Set, and press the ENTER button to enter the next menu.
- Press UP / DOWN to scroll through the menu, and then select one of the following settings for the display and press the ENTER key to display it.
 - **Back Light** - Backlight display Auto Off. This feature allows you to automatically turn off the backlight after a specified time that you can set using the arrow buttons. To have the display always on select

Always On or set a value of 01-99 min to turn off the display after the amount of time you choose.

- **Flip Display** - Orientation of the display. This function allows you to rotate the display 180° to get a better view of the display when the unit is hanging upside down. Select YES to activate or NO to disable this function.
- **Key Lock** - Lock keys. With this function, you can lock the buttons on the control panel. If this function is activated, the keys are automatically locked. To disable or temporarily disable the key lock function, press the buttons in the following order to regain access to menu commands: UP, DOWN, LEFT, RIGHT, ENTER. Select YES to activate or NO to disable.
- Press the ENTER button to confirm your choice.
- Press the LEFT button repeatedly to exit the menu and save changes.
-

FIXTURE

For the SUNBLAST you can access the following special functions:

- Press the ENTER button to access the main menu.
- Press the UP/DOWN button to scroll the menu, select the icon **Set Up**, then press the ENTER button to enter the next menu.
- Press the UP/DOWN button to scroll through the **Fixture** menu, then select one of the following information and press the ENTER button to display it.
 - **Fans Mode** - Select this function to set the fans operation mode. Use the arrow buttons to select **Auto Speed/High Speed**. Press the ENTER button to confirm your choice.
 - **White Balance** - White Balance Function. Select the White Balance function to set the white balance by changing the values (125 - 255) of **Red, Green, Blue and White** colors.
 - **Dimmer Mode** - Dimmer Function. Select Dimmer Mode and choose and simulate different dimming curves. Specifically, when set to:
 - Off** - The brightness increase is linear.
 - Dimmer 1** - Light intensity control is finer at low level and coarse at high levels.
 - Dimmer 2** - Light intensity control is finer at high level and coarse at low levels.
 - Dimmer 3** - Light intensity control is finer at low and high levels, and coarse to medium levels.
- Press the ENTER button to confirm your choice.
- Press the LEFT button repeatedly to exit the menu and save changes.

3.8 LAMP SETTINGS

Reset delle funzioni

È possibile avviare un programma preimpostato per ripristinare la funzione selezionata:

- Premere il tasto ENTER per accedere al menu principale.
- Premere il tasto UP/DOWN per scorrere nel menu, selezionare l'icona **ADVANCED**, quindi premere il tasto ENTER per accedere al menu successivo.
- Premere il tasto UP/DOWN per selezionare **Reset** e premere il tasto ENTER per accedere al menu successivo.
- Premere il tasto UP/DOWN per scorrere nel menu, quindi selezionare la funzione che si desidera resettare fra **All, Tilt e Others**.
- Premere il tasto ENTER per confermare la scelta ed attendere il ripristino della funzione selezionata.

3.9 FIXTURE INFORMATION

To view all the information on the device, proceed as follows:

- Press the ENTER button to access the main menu.
- Press the UP/DOWN button to scroll the menu, select the icon Information, then press the ENTER button to enter the next menu.
- Press the UP/DOWN button to scroll through the menu, then select one of the following information

and press the ENTER button to display it.

- **Time Information** - Through the Time Information function you can display the operating time of the projector.
 - **Temperature** - Through the Temperature function can be displayed the temperature inside the fixture, near the lamp. The temperature can be displayed in degrees Celsius or Fahrenheit.
 - **Fans Speed** - Through the Fans Speed function you can show on display the fan speed present near the lamp. Velocity is expressed in RPM (revolutions per minute).
 - **Software Version** - Through Software Version function you can display the currently installed software version.
- Press the LEFT button repeatedly to exit the menu.

3.10 OPERATIONS IN AUTOMATIC MODE

SLAVE RECEIVE MODE

This mode will allow you to link up the units together without a controller. Choose a unit to function as the Master. The unit must be the first unit in line; other units will work as slave with the same effect.

The Slave unit receives data from the Master unit according to the group which the Slave unit was assigned to.

For example, if a slave device is set to Receive Part 1, the Master unit Slave unit will send the automated Chase Part 1; if set to Receive Part 2, the Chase Part 2 Slave units will receive from the Master.

To set the drive as a slave, proceed as follows:

- Press the ENTER button to access the main menu.
- Press the UP/DOWN button to scroll the menu, select the **StandAlone** icon, then press the ENTER button to enter the next menu.
- Press the UP/DOWN button to scroll through the menu, and select **Master/Slave**, and press ENTER to confirm.
- Press the UP/DOWN button to select the different modes of operation **Master, Slave**, and then press the ENTER button to confirm your choice.
- Press the LEFT button repeatedly to exit the menu and save changes.

Select the desired program on the master unit (described in section 3.5).

Use the DMX connectors of the SUNBLAST and an XLR cable to form a chain of units.

SEQUENCE

The unit independently runs through its show. Before you send an automatic program you need to set the drive as Master/Alone:

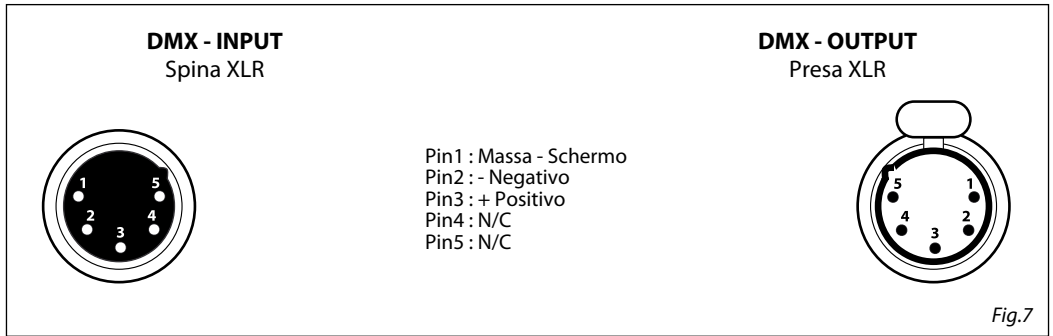
- Press the ENTER button to access the main menu.
- Press the UP/DOWN button to scroll the menu, select the **StandAlone** icon, then press the ENTER button to enter the next menu.
- Press the UP/DOWN button to scroll through the menu, select **Sequence** and press ENTER to confirm your choice.
- Press the UP/DOWN button to select the mode of operation: **Show 1, Show 2,, Show 23**
- Press the ENTER button to confirm your choice.
- Press the LEFT button repeatedly to exit the menu and save changes.

The unit will go into automatic mode by executing the program automatically.

3.11 CONNECTION OF THE DMX LINE

DMX connection employs standard XLR connectors. Use shielded pair-twisted cables with 120Ω impedance and low capacity.

The following diagram shows the connection mode:



ATTENTION

The screened parts of the cable (sleeve) must never be connected to the system's earth, as this would cause faulty fixture and controller operation.

Over long runs can be necessary to insert a DMX level matching amplifier.

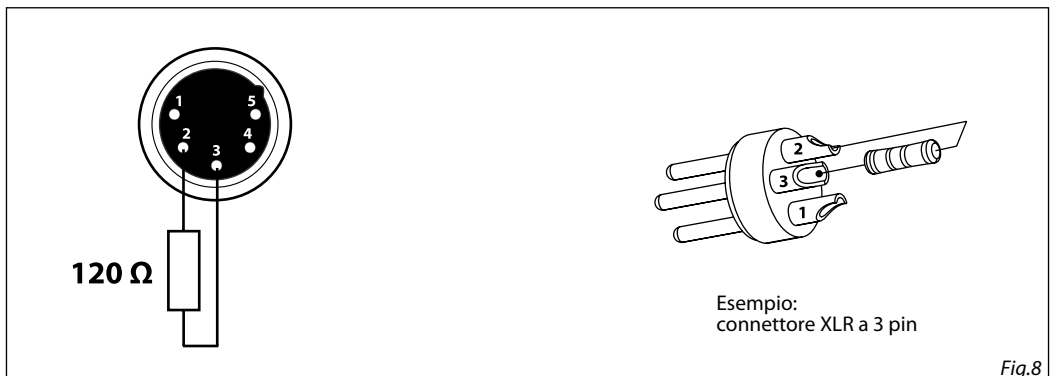
For those connections the use of balanced microphone cable is not recommended because it cannot transmit control DMX data reliably.

- Connect the controller DMX input to the DMX output of the first unit.
- Connect the DMX output to the DMX input of the following unit. Connect again the output to the input of the following unit until all the units are connected in chain.
- When the signal cable has to run longer distance is recommended to insert a DMX termination on the last unit.

3.12 CONSTRUCTION OF THE DMX TERMINATION

The termination avoids the risk of DMX 512 signals being reflected back along the cable when they reach the end of the line: under certain conditions and with certain cable lengths, this could cause them to cancel the original signals.

The termination is prepared by soldering a 120Ω 1/4 W resistor between pins 2 and 3 of the 5-pin male XLR connector, as shown in figure.



- 4 - MAINTENANCE

4.1 MAINTENANCE AND CLEANING THE UNIT

- Make sure the area below the installation place is free from unwanted persons during setup.
- Switch off the unit, unplug the main cable and wait until the unit has cooled down.
- All screws used for installing the device and any of its parts should be tightly fastened and should not be corroded.
- Housings, fixations and installation spots (ceiling, trusses, suspensions) should be totally free from any deformation.
- When the lens is visibly damaged due to cracks or deep scratches, it must be replaced.
- The main cables must be in impeccable condition and should be replaced immediately even when a small problem is detected.
- In order to protect the device from overheating the cooling fans (if any), and ventilation openings should be cleaned monthly.

To ensure optimal operation and performance for a long time it is essential to periodically clean the parts subject to dust and grease deposits. The frequency with which the following operations are to be carried out depends on various factors, such as the amount of the effects and the quality of the working environment (air humidity, presence of dust, salinity, etc.). Use a soft cloth dampened with any detergent liquid for cleaning glass to remove the dirt from the reflectors, from the lenses and filters.

It is recommended that the projector undergoes an annual service by a qualified technician for special maintenance involving at least the following operations:

- General cleaning of internal parts..
- Restoring lubrication of all parts subject to friction, using lubricants specifically.
- General visual check of the internal components, cabling, mechanical parts, etc.
- Electrical, photometric and functional checks; eventual repairs.

Warning: we strongly recommend internal cleaning to be carried out by qualified personnel!

4.2 FUSE REPLACEMENT

1. Disconnect this product from the power outlet.
2. Using a screwdriver, unscrew the fuse holder cap from the housing.
3. Remove the blown fuse and replace with a good fuse of the same type and rating.
4. Screw the fuse holder cap back in place and reconnect power.

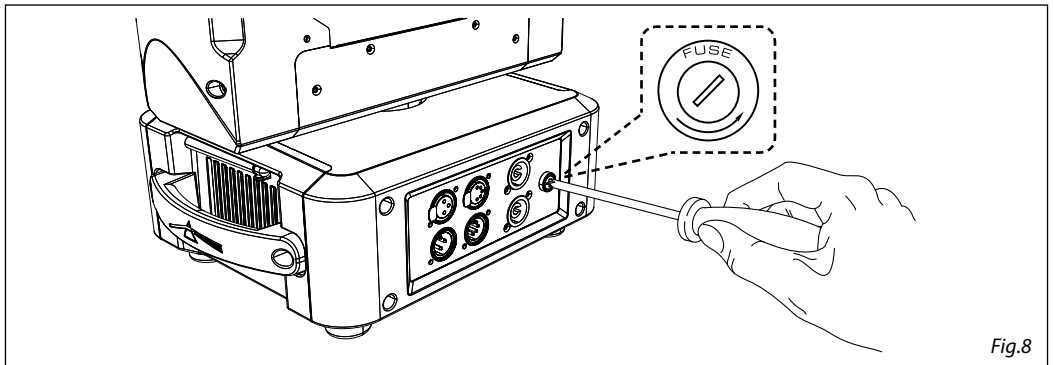


Fig.8

4.3 TROUBLESHOOTING

Problems	Possible causes	Checks and remedies
Fixture does not light up	<ul style="list-style-type: none"> • No mains supply • Dimmer fader set to 0 • All color faders set to 0 • Faulty LED • Faulty LED board 	<ul style="list-style-type: none"> • Check the power supply voltage • Increase the value of the dimmer channels • Increase the value of the color channels • Replace the LED board • Replace the LED board
General low light intensity	<ul style="list-style-type: none"> • Dirty lens assembly • Misaligned lens assembly 	<ul style="list-style-type: none"> • Clean the fixture regularly • Install lens assembly properly
Fixture does not power up	<ul style="list-style-type: none"> • No power • Loose or damaged power cord • Faulty internal power supply 	<ul style="list-style-type: none"> • Check for power on power outlet • Check power cord • Replace internal power supply
Fixture does not respond to DMX	<ul style="list-style-type: none"> • Wrong DMX addressing • Damaged DMX cables • Bouncing signals 	<ul style="list-style-type: none"> • Check control panel and unit addressing • Check DMX cables • Install terminator as suggested

Contact an authorized service center in case of technical problems or not reported in the table can not be resolved by the procedure given in the table.

Music & Lights S.r.l. si riserva ogni diritto di elaborazione in qualsiasi forma delle presenti istruzioni per l'uso.
La riproduzione - anche parziale - per propri scopi commerciali è vietata.

Al fine di migliorare la qualità dei prodotti, la Music&Lights S.r.l. si riserva la facoltà di modificare, in qualunque momento e senza preavviso, le specifiche menzionate nel presente manuale di istruzioni.
Tutte le revisioni e gli aggiornamenti sono disponibili nella sezione 'Manuali' sul sito www.musiclights.it

INDICE	Sicurezza	
	Avvertenze generali	4
	Attenzioni e precauzioni per l'installazione	4
	1 Introduzione	
	1.1 Descrizione	5
	1.2 Specifiche tecniche	5
	1.3 Elementi di comando e di collegamento	7
	2 Installazione	
	2.1 Montaggio	8
	3 Funzioni e impostazioni	
	3.1 Funzionamento	9
	3.2 Impostazione base	9
	3.3 Struttura menu	10
	3.4 Collegamento	12
 Modalità DMX	12
 Configurazioni canali DMX	12
 Indirizzamento DMX	13
 Ethernet	13
	3.5 Canali DMX	14
	3.6 Pixel Layouts	34
	3.7 Impostazioni display	35
 Temperature	35
 Screen	35
 Fixture	35
	3.7 Impostazioni lampada	36
	3.8 Informazioni sul dispositivo	37
	3.9 Operazioni in modalità automatica	37
	3.10 Collegamenti della linea DMX	38
	3.11 Costruzione del terminatore DMX	38
	4 Manutenzione	
	4.1 Manutenzione e pulizia del sistema ottico	39
	4.2 Sostituzione fusibile	39
	4.3 Risoluzione dei problemi	40

Contenuto dell'imballo:

- SUNBLAST3000FC
 - Staffa di fissaggio
 - Staffa di supporto da pavimento
 - Manuale utente
-




ATTENZIONE! Prima di effettuare qualsiasi operazione con l'unità, leggere con attenzione questo manuale e conservarlo accuratamente per riferimenti futuri. Contiene informazioni importanti riguardo l'installazione, l'uso e la manutenzione dell'unità.



SICUREZZA

Avvertenze generali

- I prodotti a cui questo manuale si riferisce sono conformi alle Direttive della Comunità Europea e pertanto recano la sigla **CE**.
- Il dispositivo funziona con pericolosa tensione di rete 230V~. Non intervenire mai al suo interno al di fuori delle operazioni descritte nel presente manuale; esiste il pericolo di una scarica elettrica.
- È obbligatorio effettuare il collegamento ad un impianto di alimentazione dotato di un'efficiente messa a terra (apparecchio di Classe I secondo norma EN 60598-1). Si raccomanda, inoltre, di proteggere le linee di alimentazione delle unità dai contatti indiretti e/o cortocircuiti verso massa tramite l'uso di interruttori differenziali opportunamente dimensionati.
- Le operazioni di collegamento alla rete di distribuzione dell'energia elettrica devono essere effettuate da un installatore elettrico qualificato. Verificare che frequenza e tensione della rete corrispondono alla frequenza ed alla tensione per cui l'unità è predisposta, indicate sulla targhetta dei dati elettrici.
- L'unità non per uso domestico, solo per uso professionale.
- Evitare di utilizzare l'unità:
 - in luoghi soggetti a vibrazioni, o a possibili urti;
 - in luoghi a temperatura superiore ai 45°C.
- Evitare che nell'unità penetrino liquidi infiammabili, acqua o oggetti metallici.
- Non smontare e non apportare modifiche all'unità.
- Tutti gli interventi devono essere sempre e solo effettuati da personale tecnico qualificato. Rivolgersi al più vicino centro di assistenza tecnica autorizzato.
- Se si desidera eliminare il dispositivo definitivamente, consegnarlo  per lo smaltimento ad un'istituzione locale per il riciclaggio.

Attenzioni e precauzioni per l'installazione

- Se il dispositivo dovesse trovarsi ad operare in condizioni differenti da quelle descritte nel presente manuale, potrebbero verificarsi dei danni; in tal caso la garanzia verrebbe a decadere. Inoltre, ogni altra operazione potrebbe provocare cortocircuiti, incendi, scosse elettriche, rotture etc.
- Prima di iniziare qualsiasi operazione di manutenzione o pulizia sull'unità togliere la tensione dalla rete di alimentazione.
- È assolutamente necessario proteggere l'unità per mezzo di una fune di sicurezza. Nell'eseguire qualsiasi intervento attenersi scrupolosamente a tutte le normative (in materia di sicurezza) vigenti nel paese di utilizzo.
- Questo prodotto è solo per uso interno.
- La distanza minima tra il proiettore e le pareti circostanti deve essere superiore a 50 cm e non devono essere ostruite, in nessun caso, le aperture di aerazione.
- Installare l'unità in un luogo ben ventilato.
- Mantenere i materiali infiammabili ad una distanza di sicurezza dall'unità.
- La temperatura massima raggiungibile sulla superficie esterna dell'unità, in condizioni di regime termico, è elevata. Dopo lo spegnimento, attendere 15 minuti per il raffreddamento.
- I filtri, le lenti o gli schermi ultravioletti se danneggiati possono limitare la loro efficienza.
- I LED devono essere sostituiti se danneggiati o termicamente deformati.
- Non guardare direttamente il fascio luminoso. Tenete presente che i veloci cambi di luce possono provocare attacchi d'epilessia presso persone fotosensibili o epilettiche.

- 1 - INTRODUZIONE

1.1 DESCRIZIONE

SunBLAST LED is an exceptionally powerful IP65 graphic strobe, blinder and flood. Available in White or Full Colour versions, and designed to deliver simply staggering light levels, this versatile fixture can provide an unbelievable punch over a huge area.

1.2 SPECIFICHE TECNICHE

SORGENTE LUMINOSA

- Sorgente: 1728x1W RGBW LEDs
- CT: Full ON 6500K
- Flusso luminoso: (Strobing) 180k lumens, (Full Static) 14561 lm
- Lux: (Full Stable) 654 lux @3m Full
- Lux: 235 lux @5m Full
- Durata media sorgente: >30.000 h

OTTICA

- Angolo di proiezione: 98 °
- Angolo di campo: 155°

SISTEMA COLORE

- Color Mixing: RGBW/FC

EFFETTI DINAMICI

- Gobos Rotanti: Dynamic Patterns con controllo della velocità e della direzione
- Pixel Pattern: Pattern dinamici e statici preprogrammati
- Generatore effetti: Regolazione foreground/background color, index, velocità, verso
- Static Color Mode: Riproduzione statica di un colore
- Manual Color Mode: Regolazione manuale di un colore
- Auto Mode: Programmi automatici preimpostati con regolazione velocità

CORPO

- Corpo: Corpo in alluminio pressofuso ad alta resistenza
- Colore: Nero

CONTROLLO

- Protocolli: DMX512, RDM, Art-Net, Kling-Net
- Pixel Control: 48 sezioni controllabili
- RDM: RDM ready per controllo e impostazioni remote della fixture
- Display: Display TFT
- Upgrade Firmware: Sì, con interfaccia USB-DMX (UPBOX1) non inclusa

ELETTRONICA

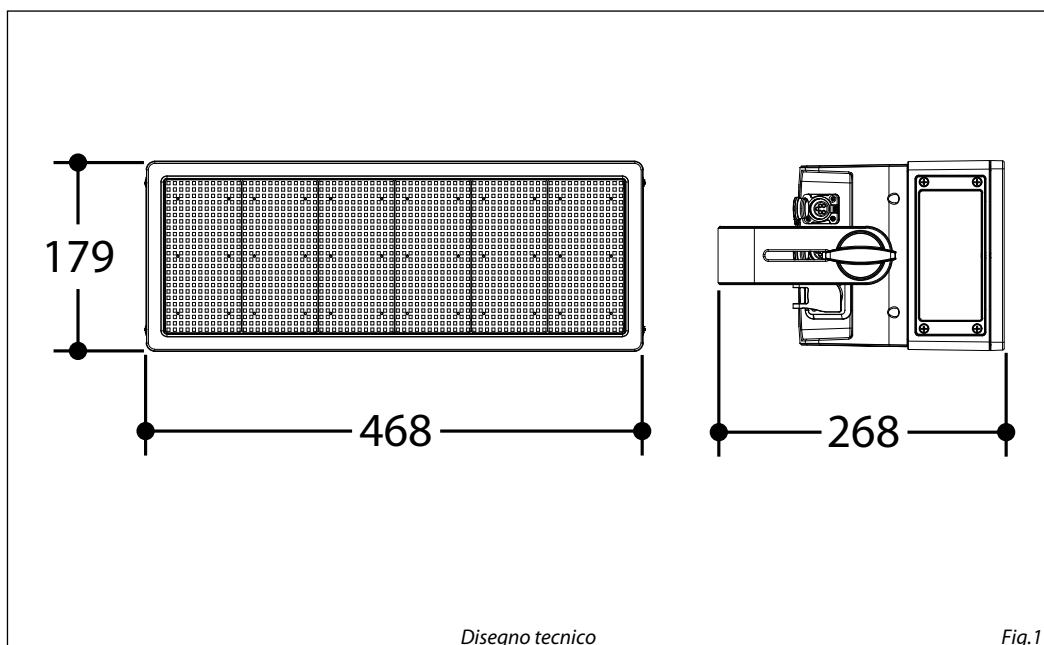
- Dimmer: 0~100% lineare, Elettronico
- Curve Dimmer: 4 Curve dimmer regolabili
- Strobe/Shutter: 1-30 Hz, elettronico
- Temperatura d'esercizio: -10° ~ +45°

ALIMENTAZIONE

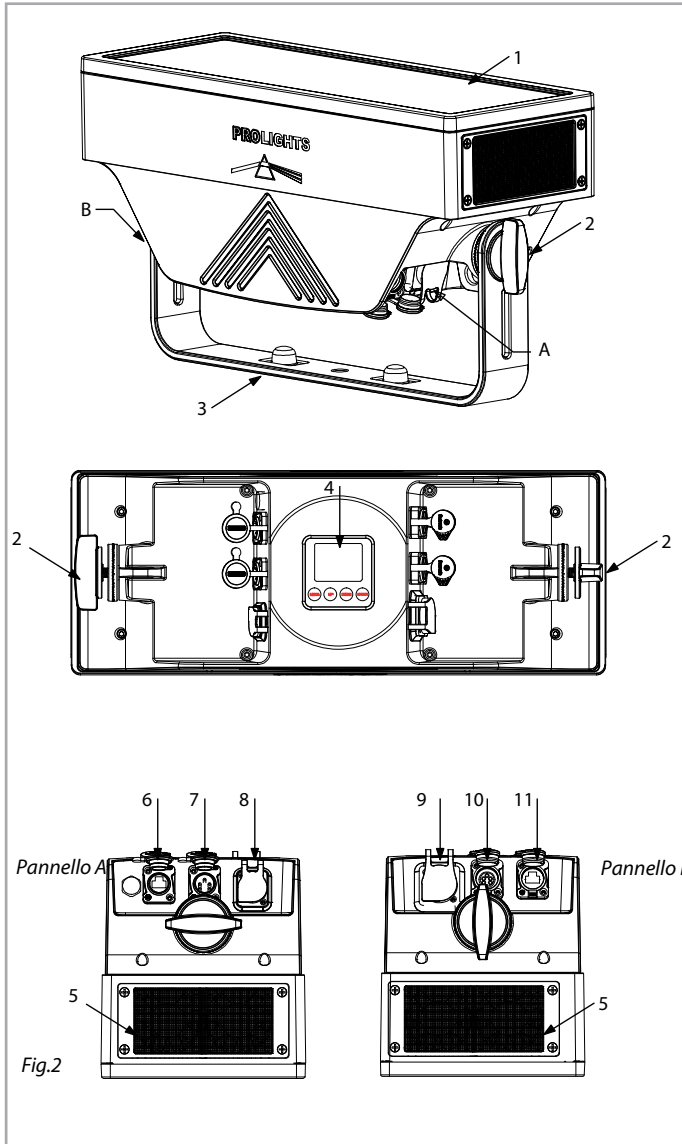
- Power Supply: 100-240V – 50/60Hz
- Potenza assorbita (a 230V): Strobe 1500W (peak) - Static 589W
- Potenza assorbita (a 120V): Strobe 1550W (peak) - Static 602W
- Output (a 230V): 2 unità connesse in serie
- Output (a 120V): 1 unità connesse in serie

CARATTERISTICHE FISICHE

- Connessioni di segnale: 5p in/out, RJ45 in/out
- Connessioni di alimentazione: Seetronic Powerkon True IP65 in/out
- IP: 65 per eventi outdoor
- Raffreddamento: Aria filtrata forzata con ventole silenziose
- Sospensione e fissaggio: Staffa per posizionamento a terra con sistema "Quick-Lock"
- Dimensioni (LxAxP): 468x179x268mm
- Peso: 14.3kg

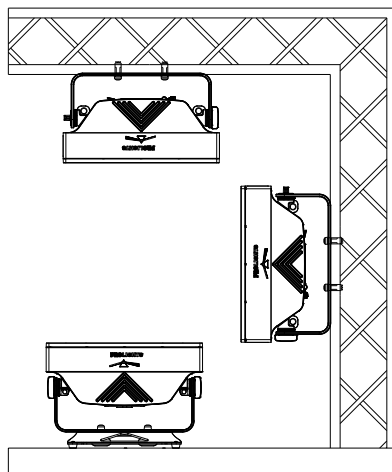


1.3 ELEMENTI DI COMANDO E DI COLLEGAMENTO



1. BARRA LED
2. MANOPOLA DI FISSAGGIO per la staffa di montaggio
3. STAFFA DI MONTAGGIO
4. PANNELLO DI CONTROLLO con display TFT e 4 pulsanti per l'accesso e gestione delle diverse funzioni.
5. PRESA DI VENTILAZIONE apertura per uscita flusso d'aria da non ostruire
6. CONNETTORI EtherCON segnale IN/OUT
7. DMX IN (XLR a 5 poli): 1 = massa, 2 = DMX -, 3 = DMX +, 4 N/C, 5 N/C
8. CONNETTORI EtherCON segnale IN/OUT
9. POWER IN (PowerCON IN): per il collegamento ad una presa di rete (100-240V~/50-60Hz) tramite il cavo rete in dotazione.
10. POWER OUT (PowerCON OUT): collegamento per l'alimentazione all'unità successiva
11. DMX OUT (XLR a 5 poli): 1 = massa, 2 = DMX -, 3 = DMX +, 4 N/C, 5 N/C
12. CONNETTORI EtherCON segnale IN/OUT

- 2 - INSTALLAZIONE



2.1 MONTAGGIO

Il SUNBLAST3000FC può essere collocato su un piano solido. Inoltre, grazie ai fori di fissaggio, l'unità può essere montata anche a testa in giù, su una traversa (fig.3). Per il fissaggio occorrono dei supporti robusti per il montaggio. Come si vede nell'illustrazione, i perni del sistema di aggancio rapido, dei supporti omega, sono da inserire nelle apposite sedi della piastra dove vengono bloccati con una rotazione in senso orario (fino all'arresto). Assicurarsi che l'unità sia saldamente fissata al fine di evitare vibrazioni e scivolamenti durante il funzionamento. L'area di collocazione deve avere una stabilità sufficiente e supportare almeno 10 volte il peso dell'unità. Inoltre assicurarsi di rispettare tutte le avvertenze in materia di sicurezza. È assolutamente necessario assicurare il proiettore contro la caduta utilizzando un cavo di sicurezza: in particolare collegare il cavo in un punto adatto in modo che la caduta del proiettore non possa superare i 20 cm.

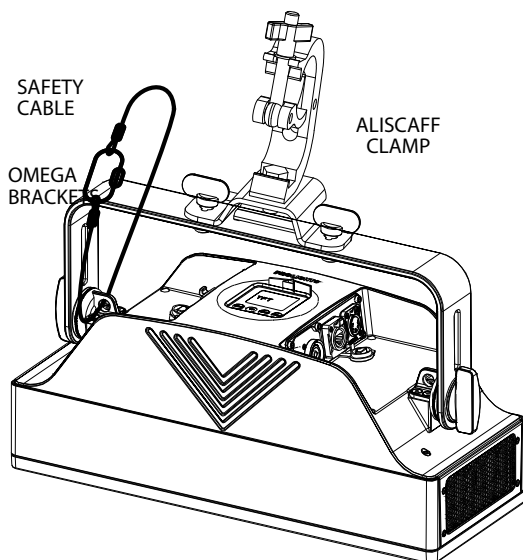


Fig.3

- 3 - FUNZIONI E IMPOSTAZIONI

3.1 FUNZIONAMENTO

Per accendere il SUNBLAST3000FC inserire la spina del cavo di alimentazione in una presa di rete (100-240V~/50-60Hz). La testa mobile e tutti i motori di comando si mettono in una precisa posizione di partenza. Poco dopo l'unità è pronta. Per spegnere il SUNBLAST3000FC, staccare la spina dalla presa di rete. Per maggiore comodità è consigliabile collegare l'unità con una presa comandata da un interruttore.

3.2 IMPOSTAZIONE BASE

Il SUNBLAST3000FC dispone di un display TFT e di 5 pulsanti per l'accesso alle funzioni del pannello di controllo e la loro gestione (fig.4).

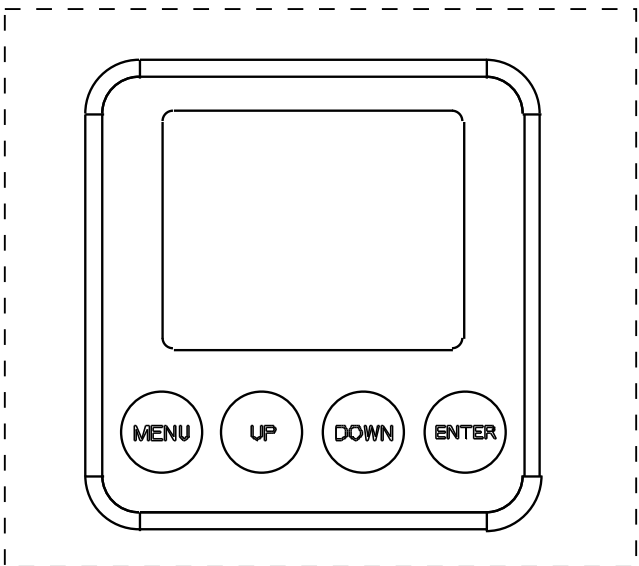


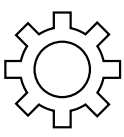

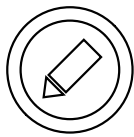
				
MENU	UP	DOWN	ENTER	
Per scorrere il menu principale o tornare ad una opzione del menu precedente	Per scorrere attraverso le diverse funzioni in ordine discendente o aumentare il valore della funzione stessa	Per scorrere attraverso le diverse funzioni in ordine ascendente o diminuire il valore della funzione stessa	Per entrare nel menu selezionato o confermare il valore attuale della funzione o l'opzione all'interno di un menu	
				
CONNECT	SETUP	ADVANCED	INFORMATION	STAND ALONE

Fig.4 - Funzione dei tasti e icone display

3.3 STRUTTURA MENU

MENU	
1	<p>CONNECT</p> <hr/> <p>⇒ DMX Address ⇒ Value (1-512)</p> <hr/> <p>DMX Mode ⇒ BASIC ⇒ Static Strobe ⇒ Red (0-255) Green (0-255) Blue (0-255) White (0-255)</p> <p>Pixels RGBW Strobe</p> <hr/> <p>⇒ BASIC16 ⇒ Static16 Strobe16 ⇒ Red (0-255) Green (0-255) Blue (0-255) White (0-255)</p> <p>Pixels16 RGBW Strobe</p> <hr/> <p>⇒ PIXELS ⇒ 1 PX 2 PX 3 PX 12 PX 48 PX</p> <hr/> <p>⇒ ADVANCED ⇒ Advanced 1 Advanced 2 Advanced 3 Advanced 4</p> <hr/> <p>⇒ EXPERT ⇒ K1PX K2PX K3PX K12PX K48PX KADVANCED 2 KADVANCED 4</p> <hr/> <p>Ethernet ⇒ Protocol ⇒ Kling-Net Only Art-Net Art-Net+DMX (PIXELS 1/2/4/8/16/64PX, ADVANCE 2/4) Art-Net+DMX (EXPERT)</p> <p>Subnet ⇒ (0-15)</p> <p>Universe ⇒ (0-15)</p> <p>Start Channel ⇒ Value (1-512)</p> <p>IP Adress ⇒ 2/10.***.***.***</p> <p>Ethernet to DMX ⇒ YES/NO</p> <hr/> <p>RDM ID ⇒ 15D0020D****</p>

2	SET UP	⇒ Temperature	⇒ C° / F°		
		Screen	⇒ Backlight	⇒ Always On,10S,20S,30S	
			Flip Display	⇒ YES/NO	
			Key Lock	⇒ YES/NO	
		Fixture	⇒ White Balance	⇒ Off	
				Red (125-255)	
				Green (125-255)	
				Blue (125-255)	
				White (125-255)	
			Dimmer Mode	⇒ Off/Dimmer 1/Dimmer 2/Dimmer 3	
			Fan Mode	⇒ AUTO/HIGH	
3	ADVANCED	⇒ Factory Reload	⇒ YES/NO		
		Mapping Rotation	⇒ YES/NO		
4	INFORMATION	⇒ Fixture Time			
		Temperature			
		Fans Speed			
		Software Ver.			
5	STAND ALONE	⇒ Master/Slave	⇒ Master		
			⇒ Slave		
		⇒ Sequence	⇒ Show 1	⇒ Speed	1-100
			Show 2	⇒ Foreground	Black
			Show 3	R	
			G	
			B	
			Show 16	W	
			Show 17	GB	
			Show 18	RB	
			Show 19	RG	
			Show 20	RGB	
			Show 21	RW	
			Show 22	GW	
			Show 23	BW	
				RGW	
				RBW	
				GBW	
				RGBW	

	Background	Black
		R
		G
		B
		W
		GB
		RB
		RG
		RGB
		RW
		GW
		BW
		RGW
		RBW
		GBW
		RGBW
⇒ Static	⇒ Fixed Color	⇒ R
		G
		B
		W
		GB
		RB
		RG
		RGB
		RW
		GW
		BW
		RGW
		RBW
		GBW
		RGBW
	⇒ Manual Color	⇒ Red (0-255)
		Green (0-255)
		Blue (0-255)
		White (0-255)

3.4 COLLEGAMENTO

Si possono collegare più unità affinché tutte le unità secondarie abbiano lo stesso effetto luce dell'unità principale (Master).

1. Collegare l'uscita DMX OUT dell'unità principale con l'ingresso DMX IN della prima unità secondaria servendosi di un cavo XLR a 5 poli.
2. Collegare l'uscita DMX OUT della prima unità secondaria con l'ingresso DMX IN della seconda unità secondaria ecc.

MODALITÀ DMX

Per entrare nella modalità DMX procedere nel seguente modo:

- Premere il tasto ENTER per accedere al menu principale.
- Premere il tasto UP/DOWN per scorrere nel menu, selezionare l'icona **Connect**, quindi premere il tasto ENTER per accedere al menu successivo **Address**.
- Premere il tasto ENTER e selezionare **DMX** con il tasto UP/DOWN, quindi confermare la scelta con il tasto ENTER.
- Impostare con i tasti direzionali il valore desiderato (**001-512**). Premere il tasto ENTER per confermare.

- Premere il tasto MENU più volte per uscire dal menu e per salvare le modifiche apportate.

CONFIGURAZIONI CANALI DMX

SUNBLAST3000FC dispone di 5 configurazioni dei canali DMX a cui si può accedere dal pannello di controllo.

- Premere il tasto ENTER per accedere al menu principale.
- Premere il tasto UP/DOWN per scorrere nel menu, selezionare l'icona **Connect**, quindi premere il tasto ENTER per accedere al menu successivo **DMX Mode**.
- Premere il tasto ENTER e selezionare **Mode** con il tasto UP/DOWN, quindi confermare la scelta con il tasto ENTER.
- Attraverso il tasto UP/DOWN selezionare la configurazione dei canali DMX desiderata (**Basic**, **Basic16**, **Pixels**, **Advanced**, **Expert**), quindi premere il tasto ENTER per confermare la scelta.
- Premere il tasto MENU più volte per uscire dal menu e per salvare le modifiche apportate.

Le tabelle a pagina 21 indicano le modalità di funzionamento e i relativi valori DMX. Come interfaccia DMX, l'unità possiede dei contatti XLR a 3 e 5 poli.

INDIRIZZAMENTO DMX

Per il funzionamento tramite un'unità di comando luce con protocollo DMX512, è sufficiente collegare SUNBLAST3000FC al controller. Il proiettore dispone di configurazione dei canali DMX a cui si può accedere dal pannello di controllo. Per poter comandare SUNBLAST3000FC con un'unità di comando luce, occorre impostare l'indirizzo di start DMX per il primo canale DMX.

Se, per esempio, sull'unità di comando è previsto l'indirizzo 33 per comandare la funzione del primo canale DMX, si deve impostare sul SUNBLAST3000FC l'indirizzo di start 33. Le altre funzioni del pannello saranno assegnate automaticamente agli indirizzi successivi. Segue un esempio con indirizzo di start:

ETHERNET

Per le impostazioni ArtNet da attribuire all'unità far riferimento alla seguente sezione del menu.

- Premere il tasto UP/DOWN per scorrere nel menu, selezionare **Connect**, quindi premere il tasto ENTER per accedere al menu successivo **Ethernet** con il tasto UP/DOWN, quindi premere il tasto ENTER.
- Selezionare con i tasti UP/DOWN una delle seguenti impostazioni: **Protocol**, **Universe**, **IP Address**, **Start Channel**, **Ethernet to dmx**.
- Premere il tasto ENTER per confermare la scelta ed entrare nel sub menu.
- Impostare mediante i tasti UP/DOWN il valore desiderato relativo alla funzione scelta. Quindi premere il tasto ENTER.
- Premere il tasto MENU per tornare indietro o attendere alcuni secondi per uscire dal menu di impostazione.

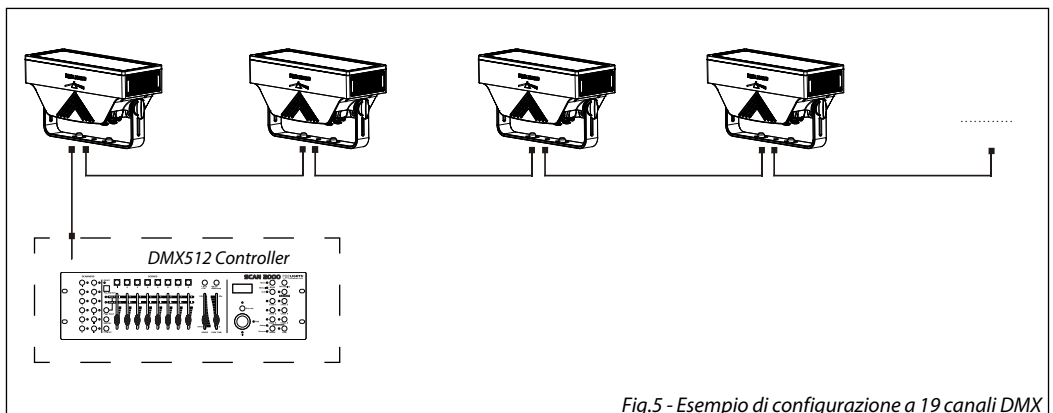


Fig.5 - Esempio di configurazione a 19 canali DMX

3.5 CANALI DMX

BASIC STATIC

MODE 4 Ch	FUNCTION	DMX Value
1	RED 0~100%	000 - 255
2	GREEN 0~100%	000 - 255
3	BLUE 0~100%	000 - 255
4	WHITE 0~100%	000 - 255

BASIC PIXEL

MODE 192 Ch	FUNCTION	DMX Value
1	PIXEL 1 RED 0~100%	000 - 255
2	PIXEL 1 GREEN 0~100%	000 - 255
3	PIXEL 1 BLUE 0~100%	000 - 255
4	PIXEL 1 WHITE 0~100%	000 - 255
	
189	PIXEL 48 RED 0~100%	000 - 255
190	PIXEL 48 GREEN 0~100%	000 - 255
191	PIXEL 48 BLUE 0~100%	000 - 255
192	PIXEL 48 WHITE 0~100%	000 - 255

BASIC STROBE

MODE 4 Ch	FUNCTION	DMX Value
1	DIMMER Blackout Min to Max	000 - 005 006 - 255
2	FLASH DURATION 0-990ms	000 - 255
3	FLASH RATE No Flash Strobe slow to fast	000 - 010 011 - 255
4	FLASH FX No effect Static Ramp up Ramp down Ramp up-down Random Lighting Spikes	000 - 002 003 - 005 006 - 042 043 - 085 086 - 128 129 - 171 172 - 214 215 - 255

BASIC RGBW STROBE

MODE 8 Ch	FUNCTION	DMX Value
1	RED 0~100%	000 - 255
2	GREEN 0~100%	000 - 255
3	BLUE 0~100%	000 - 255
4	WHITE 0~100%	000 - 255
5	DIMMER Blackout Min to Max	000 - 005 006 - 255
6	FLASH DURATION 0-990ms	000 - 255
7	FLASH RATE No Flash Strobe slow to fast	000 - 005 011 - 255
8	FLASH FX No effect Static Ramp up Ramp down Ramp up-down Random Lighting Spikes	000 - 002 003 - 005 006 - 042 043 - 085 086 - 128 129 - 171 172 - 214 215 - 255

BASIC 16 STATIC

MODE 8 Ch	FUNCTION	DMX Value
1	RED 0~100%	000 - 255
2	RED FINE 0~100%	000 - 255
3	GREEN 0~100%	000 - 255
4	GREEN FINE 0~100%	000 - 255
5	BLUE 0~100%	000 - 255
6	BLUE FINE 0~100%	000 - 255
7	WHITE 0~100%	000 - 255
8	WHITE FINE 0~100%	000 - 255

BASIC 16 STROBE

MODE 5 Ch	FUNCTION	DMX Value
1	DIMMER Blackout Min to Max	000 - 005 006 - 255
2	DIMMER FINE Dimmer fine	000 - 255
3	FLASH DURATION 0-990ms	000 - 255
4	FLASH RATE No Flash Strobe slow to fast	000 - 005 011 - 255
5	FLASH FX No effect Static Ramp up Ramp down Ramp up-down Random Lighting Spikes	000 - 002 003 - 005 006 - 042 043 - 085 086 - 128 129 - 171 172 - 214 215 - 255

BASIC16 - PIXELS 16

MODE 384 Ch	FUNCTION	DMX Value
1	PIXEL 1 RED 0~100%	000 - 255
2	PIXEL 1 RED FINE 0~100%	000 - 255
3	PIXEL 1 GREEN 0~100%	000 - 255
4	PIXEL 1 GREEN FINE 0~100%	000 - 255
5	PIXEL 1 BLUE 0~100%	000 - 255
6	PIXEL 1 BLUE FINE 0~100%	000 - 255
7	PIXEL 1 WHITE 0~100%	000 - 255
8	PIXEL 1 WHITE FINE 0~100%	000 - 255
...
377	PIXEL 48 RED 0~100%	000 - 255
378	PIXEL 48 RED FINE 0~100%	000 - 255
379	PIXEL 48 GREEN 0~100%	000 - 255
380	PIXEL 48 GREEN FINE 0~100%	000 - 255
381	PIXEL 48 BLUE 0~100%	000 - 255
382	PIXEL 48 BLUE FINE 0~100%	000 - 255
383	PIXEL 48 WHITE 0~100%	000 - 255
384	PIXEL 48 WHITE FINE 0~100%	000 - 255

BASIC16 - RGBW STROBE

MODE 13 Ch	FUNCTION	DMX Value
1	RED 0~100%	000 - 255
2	RED FINE 0~100%	000 - 255
3	GREEN 0~100%	000 - 255
4	GREEN FINE 0~100%	000 - 255
5	BLUE 0~100%	000 - 255
6	BLUE FINE 0~100%	000 - 255
7	WHITE 0~100%	000 - 255
8	WHITE FINE 0~100%	000 - 255
9	DIMMER Blackout Min to Max	000 - 005 006 - 255
10	DIMMER FINE Dimmer fine	000 - 255
11	FLASH DURATION 0-990ms	000 - 255
12	FLASH RATE No Flash Strobe slow to fast	000 - 005 011 - 255
13	FLASH FX No effect Static Ramp up Ramp down Ramp up-down Random Lighting Spikes	000 - 002 003 - 005 006 - 042 043 - 085 086 - 128 129 - 171 172 - 214 215 - 255

PIXELS - PIXELS

MODE	DMX		Artnet+DMX		FUNCTION	DMX Value
	Ch	Artnet	Artnet	DMX		
1	1	/	1		DIMMER Blackout Min to Max	000 - 005 006 - 255
	2	/	2		FLASH DURATION 0-990ms	000 - 255
	3	/	3		FLASH RATE No Flash Strobe slow to fast	000 - 010 011 - 255
	4	/	4		FLASH FX No effect Static Ramp up Ramp down Ramp up-down Random Lighting Spikes	000 - 002 003 - 005 006 - 042 043 - 085 086 - 128 129 - 171 172 - 214 215 - 255
	5	1	/		PIXEL 1 RED 0~100%	000 - 255
	6	2	/		PIXEL 1 GREEN 0~100%	000 - 255
	7	3	/		PIXEL 1 BLUE 0~100%	000 - 255
	8	4	/		PIXEL 1 WHITE 0~100%	000 - 255
2	9	5	/		PIXEL 2 RED 0~100%	000 - 255
	10	6	/		PIXEL 2 GREEN 0~100%	000 - 255
	11	7	/		PIXEL 2 BLUE 0~100%	000 - 255
	12	8	/		PIXEL 2 WHITE 0~100%	000 - 255
3	13	9	/		PIXEL 3 RED 0~100%	000 - 255
	14	10	/		PIXEL 3 GREEN 0~100%	000 - 255
	15	11	/		PIXEL 3 BLUE 0~100%	000 - 255
	16	12	/		PIXEL 3 WHITE 0~100%	000 - 255

PIXELS - PIXELS

MODE Ch	DMX	Artnet+DMX		FUNCTION	DMX Value
	Artnet	Artnet	DMX		
12	17	13	/	PIXEL 4 RED 0~100%	000 - 255
	18	14		PIXEL 4 GREEN 0~100%	000 - 255
	19	15	/	PIXEL 4 BLUE 0~100%	000 - 255
	20	16	/	PIXEL 4 WHITE 0~100%	000 - 255

	49	45	/	PIXEL 12 RED 0~100%	000 - 255
	50	46		PIXEL 12 GREEN 0~100%	000 - 255
	51	47	/	PIXEL 12 BLUE 0~100%	000 - 255
	52	48	/	PIXEL 12 WHITE 0~100%	000 - 255
48	53	49	/	PIXEL 13 RED 0~100%	000 - 255
	54	50	/	PIXEL 13 GREEN 0~100%	000 - 255
	55	51	/	PIXEL 13 BLUE 0~100%	000 - 255
	56	52	/	PIXEL 13 WHITE 0~100%	000 - 255

	193	189	/	PIXEL 48 RED 0~100%	000 - 255
	194	190	/	PIXEL 48 GREEN 0~100%	000 - 255
	195	191	/	PIXEL 48 BLUE 0~100%	000 - 255
	196	192	/	PIXEL 48 WHITE 0~100%	000 - 255

ADVANCED - ADVANCED 1

CHANNEL	FUNCTION	DMX Value
1	FLASH DIMMER Strobe dimmer	000 - 255
2	FLASH STROBE No flash/Closed Strobe slow to fast Open Random strobe slow to fast Open	000 - 030 031 - 100 101 - 130 131 - 200 201-255
3	FLASH RED 0~100%	000 - 255
4	FLASH GREEN 0~100%	000 - 255
5	FLASH BLUE 0~100%	000 - 255
6	FLASH WHITE 0~100%	000 - 255
7	BG DIMMER Strobe dimmer	000 - 255
8	BG STROBE No flash/Closed Strobe slow to fast Open Random strobe slow to fast Open	000 - 030 031 - 100 101 - 130 131 - 200 201-255
9	BG RED 0~100%	000 - 255
10	BG GREEN 0~100%	000 - 255
11	BG BLUE 0~100%	000 - 255
12	BG WHITE 0~100%	000 - 255

ADVANCED - ADVANCED 1

CHANNEL	FUNCTION	DMX Value
13	AUTO FX No Function	000 - 010
	FX 1	011 - 015
	FX 2	016 - 020
	FX 3	021 - 025
	FX 4	026 - 030
	FX 5	031 - 035
	FX 6	036 - 040
	FX 7	041 - 045
	FX 8	046 - 050
	FX 9	051 - 055
	FX 10	056 - 060
	FX 11	061 - 065
	FX 12	066 - 070
	FX 13	071 - 075
	FX 14	076 - 080
	FX 15	081 - 085
	FX 16	086 - 090
	FX 17	091 - 095
	FX 18	096 - 100
	FX 19	101 - 105
	FX 20	106 - 110
	FX 21	111 - 115
	FX 22	116 - 120
FX 23	121 - 125	
	RESERVED (TBD)	126 - 205
	Random pixel (with density)	206 - 255
14	FX SPEED Static indexing	000 - 050
	From slow to fast	051 - 255
15	DIMMER From MENU	000 - 051
	Mode OFF	052 - 101
	Mode 1	102 - 152
	Mode 2	153 - 203
	Mode 3	204 - 255

ADVANCED - ADVANCED 2

DMX	Artnet+DMX		FUNCTION	DMX Value
	Artnet	DMX		
1	/	1	FLASH DIMMER Strobe dimmer	000 - 255
2		2	FLASH STROBE No flash/Closed Strobe slow to fast Open Random strobe slow to fast Open	000 - 030 031 - 100 101 - 130 131 - 200 201- 255
3	/	3	BG DIMMER Strobe dimmer	000 - 255
4	/	4	BG STROBE No flash/Closed Strobe slow to fast Open Random strobe slow to fast Open	000 - 030 031 - 100 101 - 130 131 - 200 201- 255
5	/	5	BG RED 0~100%	000 - 255
6	/	6	BG GREEN 0~100%	000 - 255
7	/	7	BG BLUE 0~100%	000 - 255
8	/	8	BG WHITE 0~100%	000 - 255
9	/	9	AUTO FX No Function FX 1 FX 2 FX 3 FX 4 FX 5 FX 6 FX 7 FX 8 FX 9 FX 10 FX 11 FX 12 FX 13 FX 14 FX 15 FX 16 FX 17 FX 18 FX 19 FX 20 FX 21 FX 22 FX 23 RESERVED (TBD) Random pixel (with density)	000 - 010 011 - 015 016 - 020 021 - 025 026 - 030 031 - 035 036 - 040 041 - 045 046 - 050 051 - 055 056 - 060 061 - 065 066 - 070 071 - 075 076 - 080 081 - 085 086 - 090 091 - 095 096 - 100 101 - 105 106 - 110 111 - 115 116 - 120 121 - 125 126 - 205 206 - 255

ADVANCED - ADVANCED 2

DMX Artnet	Artnet+DMX		FUNCTION	DMX Value
	Artnet	DMX		
10	/	10	FX SPEED Static indexing From slow to fast	000 - 050 051 - 255
11	/	11	DIMMER From MENU Mode OFF Mode 1 Mode 2 Mode 3	000 - 051 052 - 101 102 - 152 153 - 203 204 - 255
12	1	/	PIXEL 1 RED 0~100%	000 - 255
13	2	/	PIXEL 1 GREEN 0~100%	000 - 255
14	3	/	PIXEL 1 BLUE 0~100%	000 - 255
15	4	/	PIXEL 1WHITE 0~100%	000 - 255
...		
200	189	/	PIXEL 48 RED 0~100%	000 - 255
201	190	/	PIXEL 48 GREEN 0~100%	000 - 255
202	191	/	PIXEL 48 BLUE 0~100%	000 - 255
203	192	/	PIXEL 48 WHITE 0~100%	000 - 255

ADVANCED - ADVANCED 3

CHANNEL	BASIC FUNCTION	FUNCTION WITH L2 FX	DMX Value
1	FLASH DIMMER Strobe dimmer	LAYER2 DIMMER Strobe dimmer	000 - 255
2	FLASH STROBE No flash/Closed Strobe slow to fast Open Random strobe slow to fast Open	LAYER2 STROBE No flash/Closed Strobe slow to fast Open Random strobe slow to fast Open	000 - 030 031 - 100 101 - 130 131 - 200 201- 255
3	FLASH RED 0~100%	LAYER2 RED 0~100%	000 - 255
4	FLASH GREEN 0~100%	LAYER2 GREEN 0~100%	000 - 255
5	FLASH BLUE 0~100%	LAYER2 BLUE 0~100%	000 - 255
6	FLASH WHITE 0~100%	LAYER2 WHITE 0~100%	000 - 255
7	BG DIMMER Strobe dimmer		000 - 255
8	BG STROBE No flash/Closed Strobe slow to fast Open Random strobe slow to fast Open		000 - 030 031 - 100 101 - 130 131 - 200 201- 255
9	BG RED 0~100%		000 - 255
10	BG GREEN 0~100%		000 - 255
11	BG BLUE 0~100%		000 - 255
12	BG WHITE 0~100%		000 - 255

ADVANCED - ADVANCED 3

CHANNEL	FUNCTION	DMX Value
13	LAYER1 DIMMER Strobe dimmer	000 - 255
14	LAYER1 STROBE No flash/Closed Strobe slow to fast Open Random strobe slow to fast Open	000 - 030 031 - 100 101 - 130 131 - 200 201-255
15	LAYER1 RED 0~100%	000 - 255
16	LAYER1 GREEN 0~100%	000 - 255
17	LAYER1 BLUE 0~100%	000 - 255
18	LAYER1 WHITE 0~100%	000 - 255
19	LAYER1 FX No Function FX 1 FX 2 FX 3 FX 4 FX 5 FX 6 FX 7 FX 8 FX 9 FX 10 FX 11 FX 12 FX 13 FX 14 FX 15 FX 16 FX 17 FX 18 FX 19 FX 20 FX 21 FX 22 FX 23 RESERVED (TBD) Random pixel (with density)	000 - 010 011 - 015 016 - 020 021 - 025 026 - 030 031 - 035 036 - 040 041 - 045 046 - 050 051 - 055 056 - 060 061 - 065 066 - 070 071 - 075 076 - 080 081 - 085 086 - 090 091 - 095 096 - 100 101 - 105 106 - 110 111 - 115 116 - 120 121 - 125 126 - 205 206 - 255

ADVANCED - ADVANCED 3

CHANNEL	FUNCTION	DMX Value
20	LAYER1 FX SPEED Static indexing From slow to fast	000 - 050 051 - 255
21	LAYER1 FX OFFSET Continuous start selection Random distribution	000 - 200 201 - 255
22	LAYER2 FX No Function FX 1 FX 2 FX 3 FX 4 FX 5 FX 6 FX 7 FX 8 FX 9 FX 10 FX 11 FX 12 FX 13 FX 14 FX 15 FX 16 FX 17 FX 18 FX 19 FX 20 FX 21 FX 22 FX 23 RESERVED (TBD) Random pixel (with density)	000 - 010 011 - 015 016 - 020 021 - 025 026 - 030 031 - 035 036 - 040 041 - 045 046 - 050 051 - 055 056 - 060 061 - 065 066 - 070 071 - 075 076 - 080 081 - 085 086 - 090 091 - 095 096 - 100 101 - 105 106 - 110 111 - 115 116 - 120 121 - 125 126 - 205 206 - 255
23	LAYER2 FX SPEED Static indexing From slow to fast	000 - 050 051 - 255
24	LAYER2 FX OFFSET Continuous start selection Random distribution	000 - 200 201 - 255
25	EMPTY	000 - 255
26	EMPTY	000 - 255
27	DIMMER MODE From MENU Mode OFF Mode 1 Mode 2 Mode 3	000 - 051 052 - 101 102 - 152 153 - 203 204 - 255

ADVANCED - ADVANCED 4

Artnet DMX	Artnet+DMX		BASIC FUNCTION	FUNCTION WITH L2 FX	DMX Value
	Artnet	DMX			
1	/	1	FLASH DIMMER Strobe dimmer	LAYER2 DIMMER Strobe dimmer	000 - 255
2	/	2	FLASH STROBE No flash/Closed Strobe slow to fast Open Random strobe slow to fast Open	LAYER2 STROBE No flash/Closed Strobe slow to fast Open Random strobe slow to fast Open	000 - 030 031 - 100 101 - 130 131 - 200 201- 255
3	1		FLASH 1 RED 0~100%	LAYER2 1 RED 0~100%	000 - 255
4	2		FLASH 1 GREEN 0~100%	LAYER2 1 GREEN 0~100%	000 - 255
5	3		FLASH 1 BLUE 0~100%	LAYER2 1 BLUE 0~100%	000 - 255
6	4		FLASH 1 WHITE 0~100%	LAYER2 1 WHITE 0~100%	000 - 255
...	
191	189		FLASH 48 RED 0~100%	LAYER2 48 RED 0~100%	000 - 255
192	190		FLASH 48 GREEN 0~100%	LAYER2 48 GREEN 0~100%	000 - 255
193	191		FLASH 48 BLUE 0~100%	LAYER2 48 BLUE 0~100%	000 - 255
194	192		FLASH 48 WHITE 0~100%	LAYER2 48 WHITE 0~100%	000 - 255
195	/	3	BG DIMMER Strobe dimmer		000 - 255
196	/	4	BG STROBE No flash/Closed Strobe slow to fast Open Random strobe slow to fast Open		000 - 030 031 - 100 101 - 130 131 - 200 201- 255
197	/	5	BG RED 0~100%		000 - 255
198	/	6	BG GREEN 0~100%		000 - 255
199	/	7	BG BLUE 0~100%		000 - 255

ADVANCED - ADVANCED 4

Artnet DMX	Artnet+DMX		BASIC FUNCTION	FUNCTION WITH L2 FX	DMX Value
	Artnet	DMX			
200		8	BG WHITE 0~100%		000 - 255
201	/	9	LAYER1 DIMMER Strobe dimmer		000 - 255
202	/	10	LAYER1 STROBE No flash/Closed Strobe slow to fast Open Random strobe slow to fast Open		000 - 030 031 - 100 101 - 130 131 - 200 201- 255
203	/	11	LAYER1 RED 0~100%		000 - 255
204	/	12	LAYER1 GREEN 0~100%		000 - 255
205	/	13	LAYER1 BLUE 0~100%		000 - 255
206	/	14	LAYER1 WHITE 0~100%		000 - 255
207	/	15	LAYER1 FX No Function FX 1 FX 2 FX 3 FX 4 FX 5 FX 6 FX 7 FX 8 FX 9 FX 10 FX 11 FX 12 FX 13 FX 14 FX 15 FX 16 FX 17 FX 18 FX 19 FX 20 FX 21 FX 22 FX 23 RESERVED (TBD) Random pixel (with density)		000 - 010 011 - 015 016 - 020 021 - 025 026 - 030 031 - 035 036 - 040 041 - 045 046 - 050 051 - 055 056 - 060 061 - 065 066 - 070 071 - 075 076 - 080 081 - 085 086 - 090 091 - 095 096 - 100 101 - 105 106 - 110 111 - 115 116 - 120 121 - 125 126 - 205 206- 255

ADVANCED - ADVANCED 4

Artnet DMX	Artnet+DMX		BASIC FUNCTION	FUNCTION WITH L2 FX	DMX Value
	Artnet	DMX			
208	/	16	LAYER1 FX SPEED Static indexing From slow to fast		000 - 050 051 - 255
209	/	17	LAYER1 FX OFFSET Continuous start selection Random distribution		000 - 200 201 - 255
210	/	18	LAYER1 STROBE No flash/Closed Strobe slow to fast Open Random strobe slow to fast Open		000 - 030 031 - 100 101 - 130 131 - 200 201 - 255
203	/	11	LAYER2 FX No Function FX 1 FX 2 FX 3 FX 4 FX 5 FX 6 FX 7 FX 8 FX 9 FX 10 FX 11 FX 12 FX 13 FX 14 FX 15 FX 16 FX 17 FX 18 FX 19 FX 20 FX 21 FX 22 FX 23 RESERVED (TBD) Random pixel (with density)		000 - 010 011 - 015 016 - 020 021 - 025 026 - 030 031 - 035 036 - 040 041 - 045 046 - 050 051 - 055 056 - 060 061 - 065 066 - 070 071 - 075 076 - 080 081 - 085 086 - 090 091 - 095 096 - 100 101 - 105 106 - 110 111 - 115 116 - 120 121 - 125 126 - 205 206 - 255
211	/	19	LAYER2 FX SPEED Static indexing From slow to fast		000 - 050 051 - 255
212	/	20	LAYER2 FX OFFSET Continuous start selection Random distribution		000 - 200 201 - 255
213	/	21	EMPTY		
214	/	22	EMPTY		

ADVANCED - ADVANCED 4

Artnet DMX	Artnet+DMX		BASIC FUNCTION	FUNCTION WITH L2 FX	DMX Value
	Artnet	DMX			
215	/	23	DIMMER MODE From MENU Mode OFF Mode 1 Mode 2 Mode 3		000 - 051 052 - 101 102 - 152 153 - 203 204 - 255

EXPERT - PIXELS

MODE Ch	A/K+DMX		FUNCTION	DMX Value
	A/K	DMX		
1	/	1	DIMMER Blackout Min to Max	000 - 005 006 - 255
	/	2	FLASH DURATION 0-990ms	000 - 255
	/	3	FLASH RATE No Flash Strobe slow to fast	000 - 010 011 - 255
	/	4	FLASH FX No effect Static Ramp up Ramp down Ramp up-down Random Lighting Spikes	000 - 002 003 - 005 006 - 042 043 - 085 086 - 128 129 - 171 172 - 214 215 - 255
		5	CONTROL MODE ArtNet KlingNet	000 - 127 128 - 255
	1	/	PIXEL 1 RED 0~100%	000 - 255
	2	/	PIXEL 1 GREEN 0~100%	000 - 255
	3	/	PIXEL 1 BLUE 0~100%	000 - 255
	4	/	PIXEL 1WHITE 0~100%	000 - 255

EXPERT - PIXELS

MODE Ch	A/K+DMX		FUNCTION	DMX Value
	A/K	DMX		
2	5	/	PIXEL 2 RED 0~100%	000 - 255
	6	/	PIXEL 2 GREEN 0~100%	000 - 255
	7	/	PIXEL 2 BLUE 0~100%	000 - 255
	8	/	PIXEL 2 WHITE 0~100%	000 - 255
3	9	/	PIXEL 3 RED 0~100%	000 - 255
	10	/	PIXEL 3 GREEN 0~100%	000 - 255
	11		PIXEL 3 BLUE 0~100%	000 - 255
	12	/	PIXEL 3 WHITE 0~100%	000 - 255
12	13	/	PIXEL 4 RED 0~100%	000 - 255
	14		PIXEL 4 GREEN 0~100%	000 - 255
	15	/	PIXEL 4 BLUE 0~100%	000 - 255
	16	/	PIXEL 4 WHITE 0~100%	000 - 255

	45	/	PIXEL 12 RED 0~100%	000 - 255
	46	/	PIXEL 12 GREEN 0~100%	000 - 255
	47	/	PIXEL 12 BLUE 0~100%	000 - 255
48	/	PIXEL 12 WHITE 0~100%	000 - 255	

EXPERT - PIXELS

MODE Ch	A/K+DMX		FUNCTION	DMX Value
	A/K	DMX		
48	49	/	PIXEL 13 RED 0~100%	000 - 255
	50		PIXEL 13 GREEN 0~100%	000 - 255
	51	/	PIXEL 13 BLUE 0~100%	000 - 255
	52	/	PIXEL 13 WHITE 0~100%	000 - 255

	189	/	PIXEL 48 RED 0~100%	000 - 255
	190	/	PIXEL 48 GREEN 0~100%	000 - 255
	191	/	PIXEL 48 BLUE 0~100%	000 - 255
	192	/	PIXEL 48 WHITE 0~100%	000 - 255

EXPERT - K ADVANCED 2

	A/K+DMX		BASIC FUNCTION	DMX Value
	A/K	DMX		
/	1		FLASH DIMMER Strobe dimmer	000 - 255
/	2		FLASH STROBE No flash/Closed Strobe slow to fast Open Random strobe slow to fast Open	000 - 030 031 - 100 101 - 130 131 - 200 201 - 255
/	3		BG DIMMER Strobe dimmer	000 - 255
/	4		BG STROBE No flash/Closed Strobe slow to fast Open Random strobe slow to fast Open	000 - 030 031 - 100 101 - 130 131 - 200 201 - 255
/	5		BG RED 0~100%	000 - 255
/	6		BG GREEN 0~100%	000 - 255
/	7		BG BLUE 0~100%	000 - 255
/	8		BG WHITE 0~100%	000 - 255
/	9		LAYER2 FX No Function FX 1 FX 2 FX 3 FX 4 FX 5 FX 6 FX 7 FX 8 FX 9 FX 10 FX 11 FX 12 FX 13 FX 14 FX 15 FX 16 FX 17 FX 18 FX 19	000 - 010 011 - 015 016 - 020 021 - 025 026 - 030 031 - 035 036 - 040 041 - 045 046 - 050 051 - 055 056 - 060 061 - 065 066 - 070 071 - 075 076 - 080 081 - 085 086 - 090 091 - 095 096 - 100 101 - 105

EXPERT - K ADVANCED 2

	A/K+DMX		BASIC FUNCTION	DMX Value
	A/K	DMX		
/	9		FX 20 FX 21 FX 22 FX 23 RESERVED (TBD) Random pixel (with density)	106 - 110 111 - 115 116 - 120 121 - 125 126 - 205 206 - 255
/	10		FX SPEED Static indexing From slow to fast	000 - 050 051 - 255
/	11		DIMMER MODE From MENU Mode OFF Mode 1 Mode 2 Mode 3	000 - 051 052 - 101 102 - 152 153 - 203 204 - 255
/	12		CONTROL MODE ArtNet KlingNet	000 - 127 128 - 255
1	/		PIXEL 1 RED 0~100%	000 - 255
2	/		PIXEL 1 GREEN 0~100%	000 - 255
3	/		PIXEL 1 BLUE 0~100%	000 - 255
4	/		PIXEL 1 WHITE 0~100%	000 - 255
...		
189	/		PIXEL 48 RED 0~100%	000 - 255
190	/		PIXEL 48 GREEN 0~100%	000 - 255
191	/		PIXEL 48 BLUE 0~100%	000 - 255
192	/		PIXEL 48 WHITE 0~100%	000 - 255

EXPERT - K ADVANCED 4

	A/K+DMX		BASIC FUNCTION	FUNCTION WITH L2 FX	DMX Value
	A/K	DMX			
/	1	FLASH DIMMER 0~100%	LAYER2 DIMMER Laver2 dimmer	000 - 255	
/	2	FLASH STROBE No flash/Closed Strobe slow to fast Open Random strobe slow to fast Open	LAYER2 STROBE No flash/Closed Strobe slow to fast Open Random strobe slow to fast Open	000 - 030 031 - 100 101 - 130 131 - 200 201- 255	
1		FLASH 1 RED 0~100%	LAYER2 1 RED 0~100%	000 - 255	
2		FLASH 1 GREEN 0~100%	LAYER2 1 GREEN 0~100%	000 - 255	
3		FLASH 1 BLUE 0~100%	LAYER2 1 BLUE 0~100%	000 - 255	
4		FLASH 1 WHITE 0~100%	LAYER2 1 WHITE 0~100%	000 - 255	
...		
189		FLASH 48 RED 0~100%	LAYER2 48 RED 0~100%	000 - 255	
190		FLASH 48 GREEN 0~100%	LAYER2 48 GREEN 0~100%	000 - 255	
191		FLASH 48 BLUE 0~100%	LAYER2 48 BLUE 0~100%	000 - 255	
192		FLASH 48 WHITE 0~100%	LAYER2 48 WHITE 0~100%	000 - 255	
/	3	BG DIMMER Strobe dimmer		000 - 255	
/	4	BG STROBE No flash/Closed Strobe slow to fast Open Random strobe slow to fast Open		000 - 030 031 - 100 101 - 130 131 - 200 201- 255	
/	5	BG RED 0~100%		000 - 255	
/	6	BG GREEN 0~100%		000 - 255	
/	7	BG BLUE 0~100%		000 - 255	

EXPERT - K ADVANCED 4

	A/K+DMX		BASIC FUNCTION	FUNCTION WITH L2 FX	DMX Value
	A/K	DMX			
		8	BG WHITE 0~100%		000 - 255
	/	9	LAYER1 DIMMER Strobe dimmer		000 - 255
	/	10	LAYER1 STROBE No flash/Closed Strobe slow to fast Open Random strobe slow to fast Open		000 - 030 031 - 100 101 - 130 131 - 200 201 - 255
	/	11	LAYER1 RED 0~100%		000 - 255
	/	12	LAYER1 GREEN 0~100%		000 - 255
	/	13	LAYER1 BLUE 0~100%		000 - 255
	/	14	LAYER1 WHITE 0~100%		000 - 255
	/	15	LAYER1 FX No Function FX 1 FX 2 FX 3 FX 4 FX 5 FX 6 FX 7 FX 8 FX 9 FX 10 FX 11 FX 12 FX 13 FX 14 FX 15 FX 16 FX 17 FX 18 FX 19 FX 20 FX 21 FX 22 FX 23 RESERVED (TBD) Random pixel (with density)		000 - 010 011 - 015 016 - 020 021 - 025 026 - 030 031 - 035 036 - 040 041 - 045 046 - 050 051 - 055 056 - 060 061 - 065 066 - 070 071 - 075 076 - 080 081 - 085 086 - 090 091 - 095 096 - 100 101 - 105 106 - 110 111 - 115 116 - 120 121 - 125 126 - 205 206 - 255

EXPERT - K ADVANCED 4

A/K+DMX		BASIC FUNCTION	FUNCTION WITH L2 FX	DMX Value
A/K	DMX			
/	16	LAYER1 FX SPEED Static indexing From slow to fast		000 - 050 051 - 255
/	17	LAYER1 FX OFFSET Continuous start selection Random distribution		000 - 200 201 - 255
/	18	LAYER2 FX No Function FX 1 FX 2 FX 3 FX 4 FX 5 FX 6 FX 7 FX 8 FX 9 FX 10 FX 11 FX 12 FX 13 FX 14 FX 15 FX 16 FX 17 FX 18 FX 19 FX 20 FX 21 FX 22 FX 23 RESERVED (TBD) Random pixel (with density)		000 - 010 011 - 015 016 - 020 021 - 025 026 - 030 031 - 035 036 - 040 041 - 045 046 - 050 051 - 055 056 - 060 061 - 065 066 - 070 071 - 075 076 - 080 081 - 085 086 - 090 091 - 095 096 - 100 101 - 105 106 - 110 111 - 115 116 - 120 121 - 125 126 - 205 206 - 255
/	19	LAYER2 FX SPEED Static indexing From slow to fast		000 - 050 051 - 255
/	20	LAYER2 FX OFFSET Continuous start selection Random distribution		000 - 200 201 - 255
/	21	EMPTY		
/	22	EMPTY		
/	23	DIMMER MODE From MENU Mode OFF Mode 1 Mode 2 Mode 3		000 - 051 052 - 101 102 - 152 153 - 203 204 - 255
	24	CONTROL MODE ArtNet KlingNet		000 - 127 128 - 255

RDM

Questa fixture possiede la funzione di RDM (Remote Device Management) che rende possibile il controllo remoto di dispositivi connessi via DMX. Con questa funzione è possibile richiamare i vari sottomenu dell'unità. Le impostazioni manuali, come ad esempio l'indirizzamento DMX, non sono più necessarie. I dati RDM vengono trasmessi tramite lo standard XLR a poli 1 e 2, per questo non sono necessari dei cavi DMX appositi. Tecnologia RDM e dispositivi DMX convenzionali possono operare su un'unica linea DMX. Nel caso in cui vengano utilizzati splitter DMX ed un controller RDM, lo splitter dovrà supportare il protocollo RDM.

3.7 IMPOSTAZIONI DISPLAY

TEMPERATURE

Selezionare questa funzione per impostare l'unità di misura della temperatura visualizzata sul display:

- Premere il tasto ENTER per accedere al menu principale.
- Premere il tasto UP/DOWN per scorrere nel menu, selezionare l'icona **Set**, quindi premere il tasto ENTER per accedere al menu successivo.
- Premere il tasto UP/DOWN per selezionare **UI Set** e premere il tasto ENTER per procedere.
- Premere il tasto UP/DOWN per scorrere nel menu, quindi selezionare **Temperature C/F** e premere il tasto ENTER per confermare.
- Premere il tasto UP/DOWN per selezionare l'unità di misura **Celsius/Fahrenheit**, quindi premere il tasto ENTER per confermare la scelta.
- Premere il tasto MENU più volte per uscire dal menu e per salvare le modifiche apportate.

SCREEN

È possibile modificare i seguenti parametri, relativi al display, seguendo la medesima procedura:

- Premere il tasto ENTER per accedere al menu principale.
- Premere il tasto UP/DOWN per scorrere nel menu, selezionare l'icona **Setup**, quindi premere il tasto ENTER per accedere al menu successivo.
- Premere il tasto UP/DOWN per selezionare **Screen** e premere il tasto ENTER per procedere.
- Premere il tasto UP/DOWN per selezionare una delle seguenti impostazioni relative al display e premere il tasto ENTER per visualizzarla.
 - **Backlight** - Retroilluminazione display Auto Off. Questa funzione permette di spegnere automaticamente la retroilluminazione del display dopo un determinato tempo che può essere impostato tramite i tasti direzionali. Per avere il display sempre acceso seleziona **Always On** oppure impostare un valore di 01-99 **min** per far spegnere il display una volta trascorso il tempo scelto, dopo l'uscita dal menu.
 - **Flip Display** - Orientamento del display. Questa funzione permette di ruotare il display di 180° per ottenere una migliore visualizzazione del display quando l'unità è appesa a testa in giù. Selezionare **YES** per attivare la funzione oppure **NO** per disattivarla.
 - **Key lock** - Blocco tasti. Con questa funzione è possibile bloccare i tasti del pannello di controllo, per evitare, ad esempio, manomissioni delle impostazioni. Se questa funzione viene attivata, i tasti vengono bloccati automaticamente. Per disattivare o temporaneamente o disattivare la funzione di blocco tasti, premere i tasti nel seguente ordine per riottenere l'accesso ai comandi di menu: UP, DOWN, UP, DOWN, ENTER. Selezionare **YES** per attivare la funzione oppure **NO** per disattivarla.
- Premere il tasto ENTER per confermare la scelta.
- Premere il tasto MENU più volte per uscire dal menu e per salvare le modifiche apportate.

FIXTURE

Bilanciamento bianco

- Per impostare il bilanciamento del bianco premere il tasto MENU fino a quando sul display non appare **White Balance**, quindi premere il tasto ENTER.

- Selezionare il colore **R, G, B, W** attraverso i tasti UP/DOWN, quindi premere il tasto ENTER.
- Utilizzare i tasti UP/DOWN per impostare il valore desiderato **125 - 255**.
- Premere il tasto ENTER per continuare e passare al successivo colore **R, G, B, W**.
- Continuare fino ad ottenere la miscelazione del colore.

Premere il tasto MENU per tornare indietro o attendere alcuni secondi per uscire dal menu di impostazione.

Dimmer

Per entrare nella modalità dimmer e scegliere di simulare diverse curve dimming, premere il tasto MENU ripetutamente fino a quando sul display non compare **Dimmer Mode**, quindi premere il tasto ENTER.

- Premere il tasto UP/DOWN per selezionare: **Off - Dimmer 1 - Dimmer 2 - Dimmer 3**.
- Premere il tasto ENTER per confermare la scelta.
- Premere il tasto MENU per tornare indietro o attendere alcuni secondi per uscire dal menu di impostazione.

Fans Mode

Selezionare questa funzione per impostare la modalità di funzionamento delle ventole:

- Premere il tasto ENTER per accedere al menu principale.
- Premere il tasto UP/DOWN per scorrere nel menu, selezionare l'icona **Set**, quindi premere il tasto ENTER per accedere al menu successivo.
- Premere il tasto UP/DOWN per selezionare **UI Set** e premere il tasto ENTER per procedere.
- Premere il tasto UP/DOWN per scorrere nel menu, quindi selezionare **Fans Mode** e premere il tasto ENTER per confermare.
- Premere il tasto UP/DOWN per selezionare la modalità **Auto Speed/High Speed**, quindi premere il tasto ENTER per confermare la scelta.
- Premere il tasto MENU più volte per uscire dal menu e per salvare le modifiche apportate.

3.8 IMPOSTAZIONI LAMPADA

Reset delle funzioni

È possibile avviare un programma preimpostato per ripristinare la funzione selezionata:

- Premere il tasto ENTER per accedere al menu principale.
- Premere il tasto UP/DOWN per scorrere nel menu, selezionare l'icona **Advanced**, quindi premere il tasto ENTER per accedere al menu successivo.
- Premere il tasto UP/DOWN per selezionare **Factory Reload** e premere il tasto ENTER per accedere al menu successivo.
- Premere il tasto ENTER per confermare la scelta ed attendere il ripristino della funzione selezionata.

3.9 INFORMAZIONI SUL DISPOSITIVO

Per visualizzare tutte le informazioni sul dispositivo procedere nel seguente modo:

- Premere il tasto ENTER per accedere al menu principale.
- Premere il tasto UP/DOWN per selezionare l'icona **Information**, quindi premere il tasto ENTER per accedere al menu successivo.
- Premere il tasto UP/DOWN per scorrere nel menu, quindi selezionare una delle seguenti informazioni e premere il tasto ENTER per visualizzarla.
 - **Fixture Time** - Attraverso la funzione **Fixture Time** è possibile visualizzare sul display il tempo di funzionamento del proiettore.
 - **Temperature** - Attraverso la funzione **Temperature** è possibile visualizzare sul display la temperatura presente all'interno della testa mobile, dove è situata la lampada. La temperatura può essere visualizzata in gradi Celsius o Fahrenheit (vedi pagina 31).

- **Fans Speed** - Attraverso la funzione **Fans Speed** è possibile visualizzare sul display la velocità della ventola presente vicino la lampada. La misura della velocità è espressa in RPM (giri per minuto).
- **Software Version** - Attraverso la funzione **Software Version** è possibile visualizzare sul display la versione del software installata.
- Premere il tasto MENU più volte per uscire dal menu.

3.10 OPERAZIONI IN MODALITÀ AUTOMATICA

L'unità può svolgere il suo programma Show autonomamente. Prima di inviare un programma automatico in esecuzione è necessario impostare l'unità come Master/Alone:

- Premere il tasto ENTER per accedere al menu principale.
- Premere il tasto UP/DOWN per scorrere nel menu, selezionare l'icona **Stand Alone**, quindi premere il tasto ENTER per accedere al menu successivo.

Premere il tasto ENTER e selezionare **Master/Slave** con il tasto UP/DOWN, quindi confermare la scelta con il tasto ENTER.

- Premere il tasto UP/DOWN per selezionare la modalità di funzionamento:
 - **Master**, se l'unità è collegata in serie ad altre unità ed essa svolge la funzione di Master;
 - **Slave**, se l'unità è collegata ad altre unità come slave.
- Premere il tasto ENTER per confermare la scelta.
- Premere il tasto MENU più volte per uscire dal menu e per salvare le modifiche apportate.

Premere il tasto ENTER e selezionare **Sequence** con il tasto UP/DOWN, quindi confermare la scelta con il tasto ENTER.

L'unità entrerà in modalità automatica mandando in esecuzione il programma automatico.

- Premere il tasto UP/DOWN per selezionare la modalità di funzionamento: **Show 1, Show 2,, Show 23**
- Premere il tasto ENTER per confermare la scelta.
- Premere il tasto MENU più volte per uscire dal menu e per salvare le modifiche apportate.

L'unità entrerà in modalità automatica mandando in esecuzione il programma automatico.

3.11 COLLEGAMENTI DELLA LINEA DMX

La connessione DMX è realizzata con connettori standard XLR. Utilizzare cavi schermati, 2 poli ritorti, con impedenza 120Ω e bassa capacità.

Per il collegamento fare riferimento allo schema di connessione riportato di seguito:



ATTENZIONE

La parte schermata del cavo (calza) non deve mai essere collegata alla terra dell'impianto; ciò comporterebbe malfunzionamenti delle unità e dei controller.

Per passaggi lunghi può essere necessario l'inserimento di un amplificatore DMX.

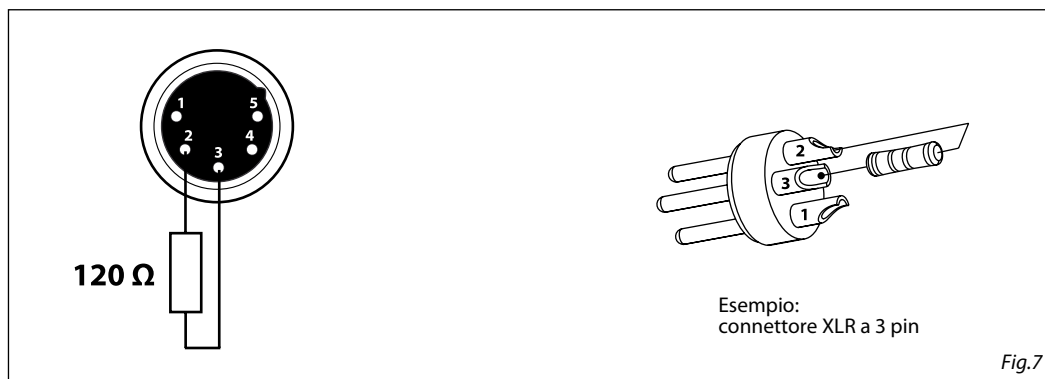
In tal caso, è sconsigliato utilizzare nei collegamenti cavo bilanciato microfonico poiché non è in grado di trasmettere in modo affidabile i dati di controllo DMX.

- Collegare l'uscita DMX del controller con l'ingresso DMX della prima unità;
- Collegare, quindi, l'uscita DMX con l'ingresso DMX della successiva unità; l'uscita di quest'ultima con l'ingresso di quella successiva e via dicendo finché tutte le unità sono collegate formando una catena.
- Per installazioni in cui il cavo di segnale deve percorrere lunghe distanze è consigliato inserire sull'ultima unità una terminazione DMX.

3.12 COSTRUZIONE DEL TERMINATORE DMX

La terminazione evita la probabilità che il segnale DMX 512, una volta raggiunta la fine della linea stessa venga riflesso indietro lungo il cavo, provocando, in certe condizioni e lunghezze, la sua sovrapposizione al segnale originale e la sua cancellazione.

La terminazione deve essere effettuata, sull'ultima unità della catena, con connettori XLR a 3/5 pin, saldando una resistenza di 120Ω (minimo 1/4W) tra i terminali 2 e 3, così come indicato in figura.



- 4 - MANUTENZIONE

4.1 MANUTENZIONE E PULIZIA DEL SISTEMA OTTICO

- Durante gli interventi, assicurarsi che l'area sotto il luogo di installazione sia libera da personale non qualificato.
- Spegnerne l'unità, scollegare il cavo di alimentazione ed aspettare finché l'unità non si sia raffreddata.
- Tutte le viti utilizzate per l'installazione dell'unità e le sue parti dovrebbero essere assicurate saldamente e non dovrebbero essere corrose.
- Alloggiamenti, elementi di fissaggio e di installazione (soffitto, truss, sospensioni) dovrebbero essere totalmente esenti da qualsiasi deformazione.
- Quando una lente ottica è visibilmente danneggiata a causa di rotture o graffi profondi, deve essere sostituita.
- I cavi di alimentazione devono essere in condizione impeccabile e dovrebbero essere sostituiti immediatamente nel momento in cui anche un piccolo problema viene rilevato.
- Al fine di proteggere l'unità da surriscaldamento, le ventole di raffreddamento (e nel caso) le aperture di ventilazione, devono essere pulite mensilmente.

Per mantenere funzionalità e rendimento ottimali per lungo tempo è indispensabile effettuare una pulizia periodica delle parti soggette all'accumulo di polveri e grassi. La frequenza con la quale effettuare le operazioni sotto indicate dipende da diversi fattori, quali la quantità di movimenti degli effetti e la qualità dell'ambiente di lavoro (umidità dell'aria, presenza di polvere, salsedine, ecc.). Per rimuovere lo sporco dal riflettore, dalle lenti e dai filtri usare un panno morbido inumidito di un qualsiasi liquido detergente per la pulizia del vetro. Annualmente si consiglia di sottoporre il proiettore a personale tecnico qualificato per una manutenzione straordinaria consistente almeno nelle seguenti operazioni:

- Pulizia generale delle parti interne.
- Ripristino della lubrificazione di tutte le parti soggette ad attrito tramite l'utilizzo di lubrificanti appropriati.
- Controllo visivo generale di componenti interni, cablaggio, parti meccaniche, ecc.
- Controlli elettrici, fotometrici e funzionali; eventuali riparazioni.

Attenzione: consigliamo che la pulizia interna sia eseguita da personale qualificato!

4.2 SOSTITUZIONE FUSIBILE

1. Assicurarsi di scollegare il cavo di alimentazione del proiettore prima di sostituire un fusibile bruciato.
2. Con un cacciavite, rimuovere il portafusibile dalla sua sede e il fusibile bruciato dal suo supporto; sostituire il fusibile con uno identico per tipologia e valore.
3. Inserire il portafusibile al suo posto e ricollegare l'alimentazione.

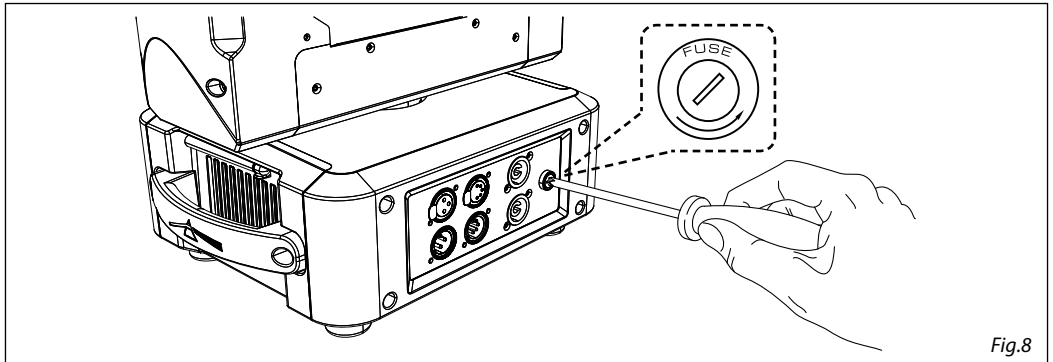
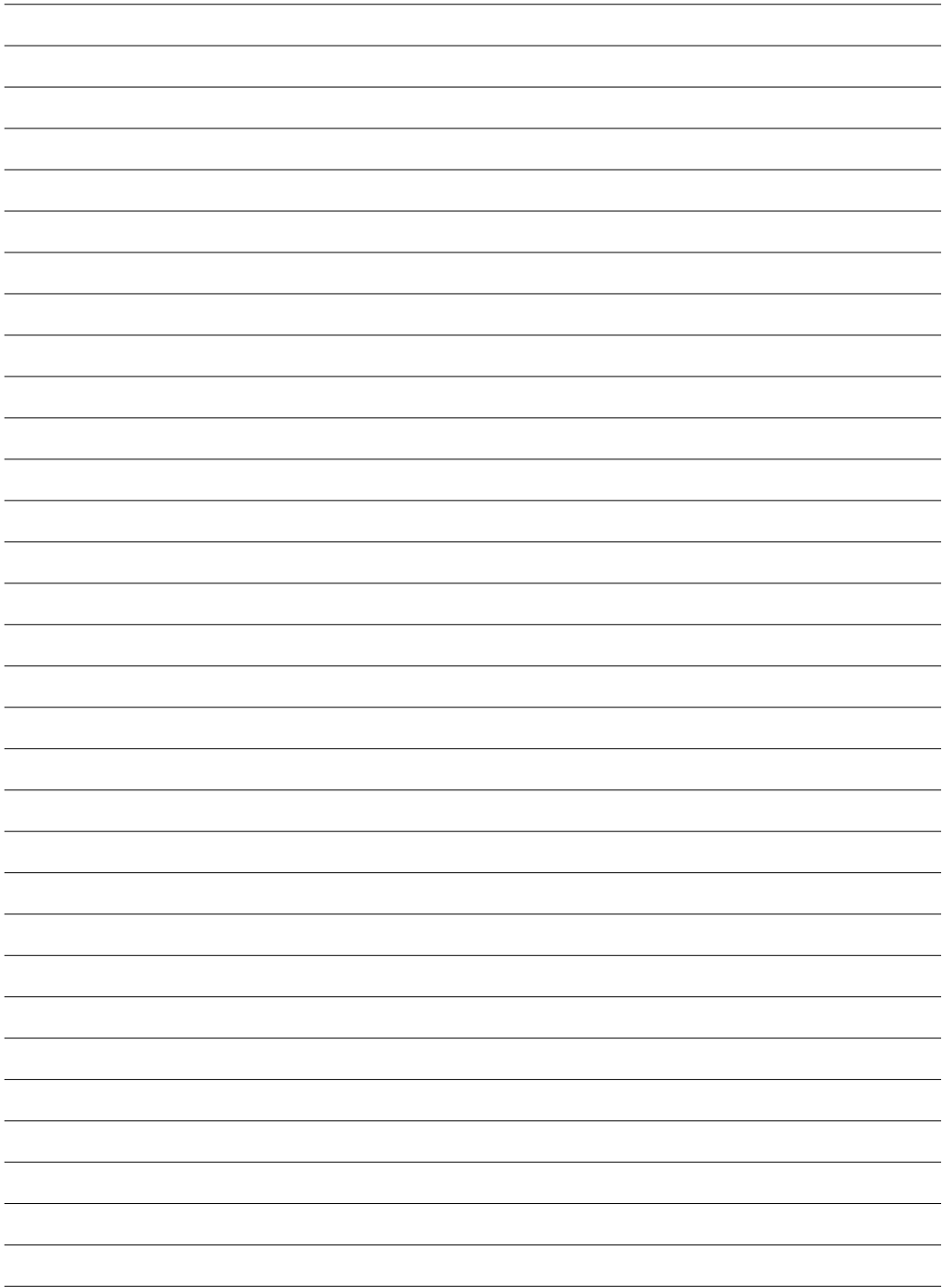


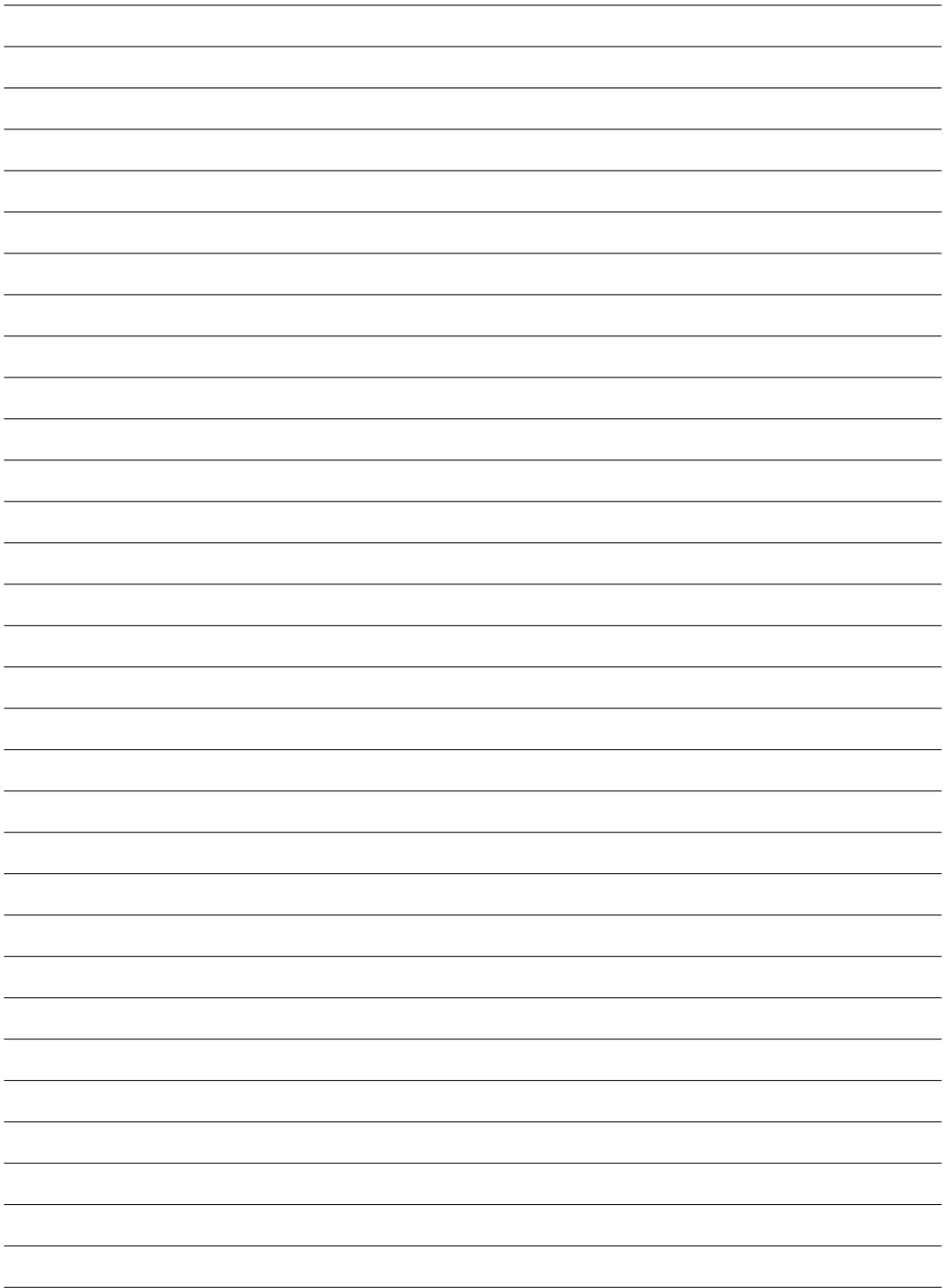
Fig.8

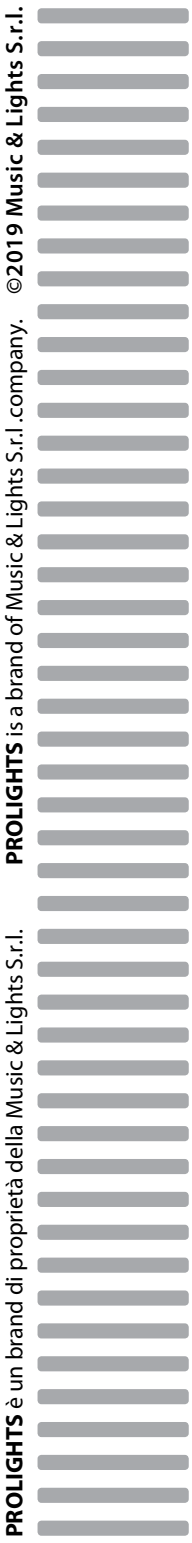
4.3 RISOLUZIONE DEI PROBLEMI

Anomalie	Possibili cause	Controlli e rimedi
Il proiettore non illumina	<ul style="list-style-type: none"> • Mancanza di alimentazione di rete • Dimmer impostato a 0 • Tutti i colori impostati a 0 • LED difettoso/i • Scheda LED difettosa 	<ul style="list-style-type: none"> • Verificare la presenza della tensione alimentazione • Incrementare i valori del canale dimmer • Incrementare i valori dei canali colori • Sostituire scheda LED • Sostituire scheda LED
Bassa intensità di luce generale	<ul style="list-style-type: none"> • Lenti sporche • Lente disallineata 	<ul style="list-style-type: none"> • Pulire il dispositivo regolarmente • Installare il gruppo ottico correttamente
Il proiettore non è alimentato	<ul style="list-style-type: none"> • Mancanza di alimentazione di rete • Cavo di alimentazione danneggiato • Alimentatore interno difettoso 	<ul style="list-style-type: none"> • Verificare la presenza della tensione alimentazione • Controllare il cavo di alimentazione • Sostituire l'alimentatore interno
Il proiettore non risponde al DMX	<ul style="list-style-type: none"> • Indirizzamento DMX errato • Cavo di segnale DMX difettoso • Rimbazzo segnale DMX 	<ul style="list-style-type: none"> • Controllare il pannello di controllo e l'indirizzamento delle unità • Controllare il cavo di segnale DMX • Installare una terminazione DMX come suggerito

Rivolgersi a un centro di assistenza tecnico autorizzato nel caso in cui il problema non sia riportato in tabella.







PROLIGHTS è un brand di proprietà della Music & Lights S.r.l. **PROLIGHTS** is a brand of Music & Lights S.r.l. company. ©2019 Music & Lights S.r.l.