



DRIVENET 1664 24Vdc

64-CHANNEL PSU FOR UNDERWATER LED PROJECTORS

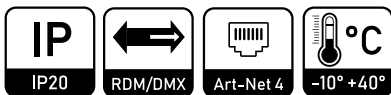
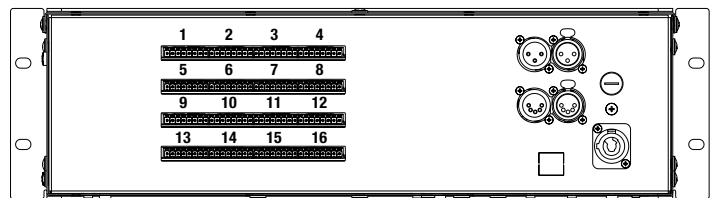
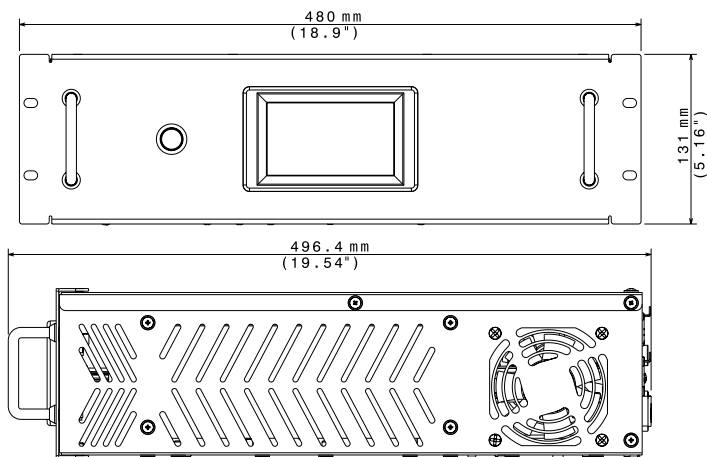
DRIVENET 1664 24 Vdc is a 64-channel rack-mountable, 100-240Vac 50-60 Hz, power supply / controller unit in DTS range. The unit has been developed to power LED projectors working in underwater installations – such as swimming pools – where safety regulations request 24 Vdc max voltage. (Refer to local norms in case of underwater installation)

DRIVENET 1664 24Vdc introduces a series of cutting edge features:

- 64 output channels individually programmable (8 groups, 4 channels each);
- Unit controlled via RDM/DMX512 protocol or Art-Net protocol (with optional interface);
- Current individually selectable for each output channel;
- Touch-screen color display for managing any function;
- Updatable operating software;



DRIVENET 3U RACK



03.LA.195

Input voltage/frequency range	100-240Vac 50-60Hz
Power Factor	PF >0.95
Output channels	64 (4 channels x 16 groups)
Output voltage	24Vdc
Output current	700mA Max (per channel)
Max power	1100W
Max projectors distance	100 m
Output connections	Screw terminal connectors
Mains connections	PowerCON male panel connector
DMX connections	XLR 5-pole and XLR 3-pole panel connectors
Display	Touch-screen color display
DMX	•
RDM	•
Art-Net	• (optional)
Operating temperature	-10° / 40° C
Rack units	3U
Protection rating	IP20
Weight	11.4 Kg
Carton box weight	13 Kg (28.7 lbs)
Carton box dimensions (LxHxD)	570 x 530 x 220 mm (22.4" x 20.9" x 8.7")

CONNECTIONS CHART

DONUT 6 FC	Max 16 (1 item per output)
DIVE 1 / DIVE 1 R FC	Max 96 (6 items per output)
DIVE 3 / DIVE 3 R FC	Max 32 (2 items per output)
DIVE 6 / DIVE 6 R FC	Max 16 (1 item per output)